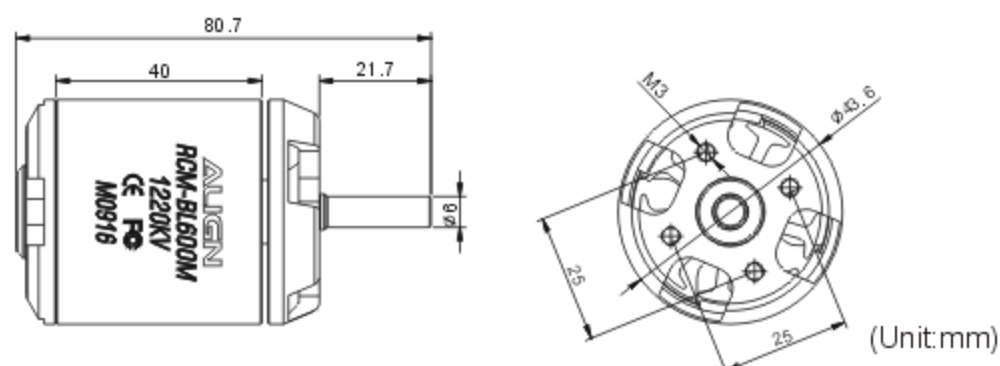


## RCM-BL600M Brushless Motor

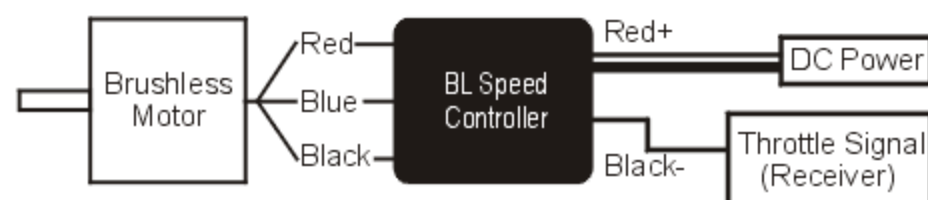


This new Brushless motor developed by the ALIGN POWER R&D TEAM, is packed with the latest, cutting edge technology available today. It features exceptional levels of high-torque power. The 600M utilizes an 6-pole outrunner stator-rotor and unrivaled Ndfcb extra strong magnets that traditional magnets cannot compare to. Also included is a high temperature, wear-resisting, low friction, double ZZ high efficiency bearing. The 600M will be the most revolutionary motor operating on low current amperage, and delivering high torque to RC models.

## Specification



## Illustration



Exchange two wire for changing motor rotation direction.

Model	Input voltage	Dimension	Weight	KV	Max. Output Current
RCM-BL600M	DC11.1~22.2V	Shaft 6x43.6x59mm	Approx. 310	1220KV	Approx. 1800W~2200W

## Features

1. The 600M motor features shelterless design to create the advantages of heat release and low temperature variant. The extended diameter for the rotor make it even more efficiency and high torque output.
2. The 600M motor armature had a special balance adjust to improve the serious shaking problem that other tiny motors have.
3. Maintenance free, high torque, high efficiency, stable and quiet.
4. High-speed ball bearings, powerful magnetic outrunner rotor.
5. Suitable for Trex 600E helicopters. Suggested motor pinion gear: 14T for normal flights and 15T for 3D flights.

Rotor is constructed with very powerful Ndfcb Magnets. The stator is coiled by our NC auto winding machine, formed and protected with high strength resin for heat resistance and low vibration. The spindle is designed with Hardened Stainless Steel and a double ZZ high speed bearing. Additionally, 600 brushless AC motor is custom developed by ALIGN R&D technology specifically for RC model use. These motors provide long lasting, high efficiency, impact-resistance, low magnetic loss.

These new product have passed various thorough inspections made by our technical department, including motive testing, static testing, magnetic field testing, heat resistance and magnetic loss testing, running balance and vibration testing, noise testing, and many hours of actual loading and flying testing, etc. Align is proud to provide the latest innovations in RC Modeling to its consumers. Please enjoy your Align products safely.

## CONSTANT VOLTAGE TESTING REFERENCE

According to battery characteristic, the current, RPM, thrust are calculated about 90% when actually using lithium battery for a test.

Motor Gear	Main Rotor Blade	PITCH		Current(A) (approx.)	Throttle Curve	RPM (approx.)
14T	600 Carbon Fiber Blades	Hover	+5°	15	0/50/65/85/100%	1610
		Idle 1	0°	20.5	85%Middle	2220
			0°	25.4	100/100/100/100/100%	2380
			±10°	55		2200
15T	600 Carbon Fiber Blades	Hover	+5°	16	0/50/60/85/100%	1640
		Idle 2	0°	23	85%Middle	2320
			0°	28.5	100/100/100/100/100%	2500
			±10°	62		2300

Battery: ALIGN Li-Poly 22.2V 5200mAh