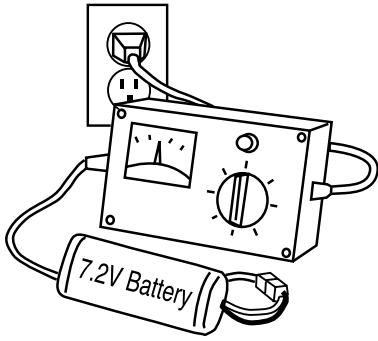


Quick Start

READ THE INSTRUCTION MANUAL AND WATCH THE VIDEO FOR FURTHER DETAILS ON RUNNING AND MAINTAINING YOUR EVADER BX.

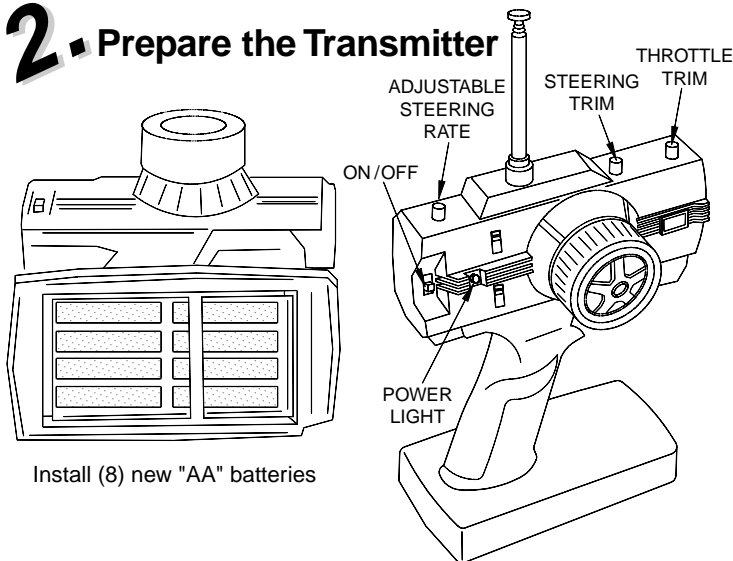
RTR ASSEMBLY

1. Charge the Battery Pack.



Charge your 6 or 7-cell battery with your battery charger. Be sure to follow the instructions supplied with your charger.

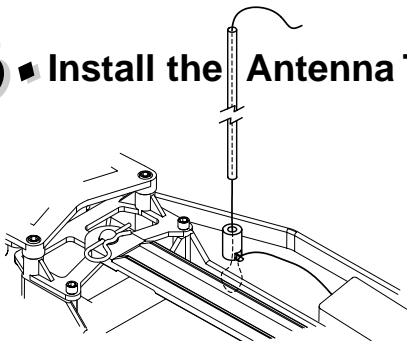
2. Prepare the Transmitter



Install (8) new "AA" batteries

Screw in the transmitter antenna and install the "AA" batteries. Check to make sure the red power light glows when turning the switch "on".

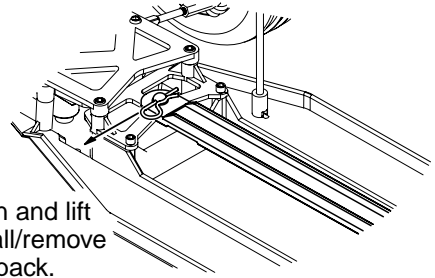
3. Install the Antenna Tube



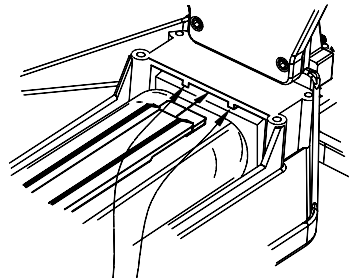
Route the antenna through the chassis and then through the tube.

Install the antenna to the chassis. Secure excess wire to the tube using tape. **DO NOT CUT THE ANTENNA WIRE!!!**

4. Install the Battery Pack



Remove the pin and lift the strap to install/remove the battery pack.



Install the strap between the bumps.

Remove the clip and lift the battery strap. Install the charged battery pack into the chassis and reinstall the battery strap and clip. Plug the battery into the connector on the Electronic Speed Control. **ALWAYS DISCONNECT THE BATTERY PLUGS WHEN FINISHED RUNNING.**

5. Install the Body



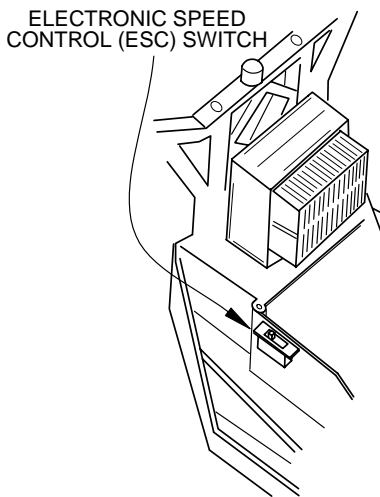
Place the body onto the chassis. Use clips to secure the body in place. Install the wing into the rear shock tower.

RUNNING THE EVADER BX

1. Turn on the Transmitter

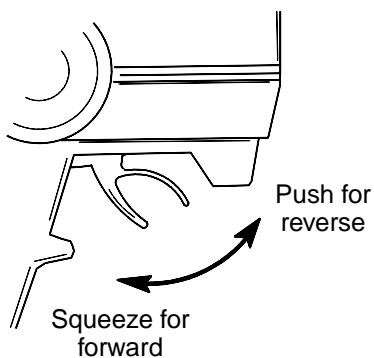
The power light should glow. **ALWAYS TURN ON THE TRANSMITTER BEFORE THE BUGGY.**

2. Turn on the Buggy



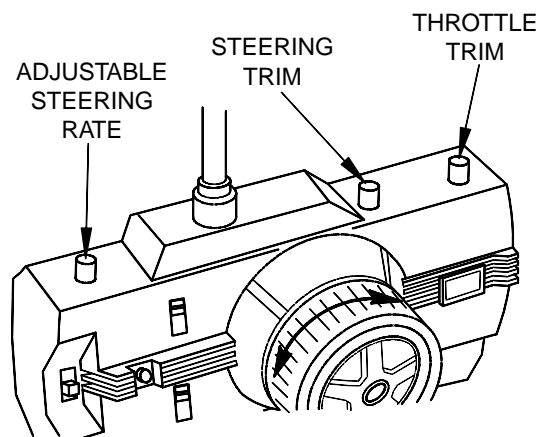
Turn on the switch in the chassis located on the right side of the chassis.

3. Adjust the Throttle



Hold up the rear wheels and squeeze the trigger. The rear wheels should spin forward. Push the trigger back. The rear wheels should spin backwards. If the wheels spin with the trigger in the neutral position, adjust the throttle trim knob located on the transmitter.

4. Adjust the Steering



To make your Evader drive in a straight line, you may need to adjust the steering trim knob located on the transmitter. Adjust the dual rate knob to increase or decrease the steering travel. When first learning to drive, adjust the dual rate knob for less steering travel. As you get to be a better driver, adjust the dual rate knob for more steering travel.

5. When Running...

Depending on the type, condition and charge of your battery pack, your run time may vary. The Evader will slow down towards the end of the battery charge. Stop before the battery is completely dead. Allow the battery to cool before recharging.

6. IMPORTANT!

See the instruction manual for proper ball differential break-in adjustments.



If you have any questions, contact
Duratrax Product Support at
217-398-8970
Monday - Friday 8am-5pm CST or
carsupport@duratrax.com