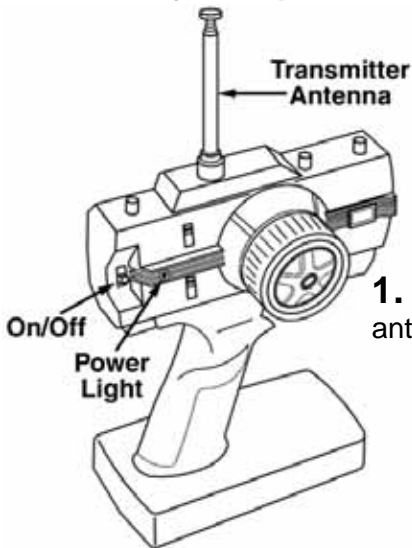


**IMPORTANT:** Read the instructions and watch the video for further details on running and maintaining your new DuraTrax® vehicle.

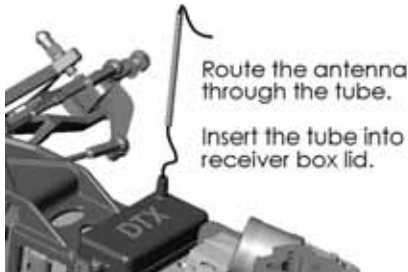
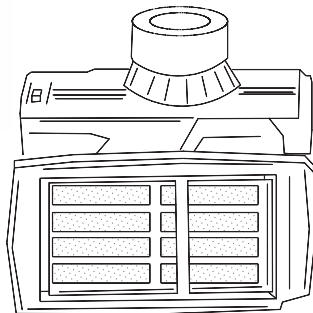
## RTR ASSEMBLY

**Note:** For more detailed instructions, refer to page 4 of the assembly and operation manual.



**1.** Install the transmitter antenna into the transmitter.

**2.** Install (8) "AA" batteries into the transmitter. Check to make sure the red power light glows when the transmitter is on.



Route the antenna through the tube.  
Insert the tube into receiver box lid.

**3.** Install the receiver antenna tube. Secure the excess wire to the tube using tape. **DO NOT CUT THE ANTENNA WIRE.**

**4.** Install (4) "AA" batteries into the receiver battery holder.



Install (4) AA size batteries into the battery holder.

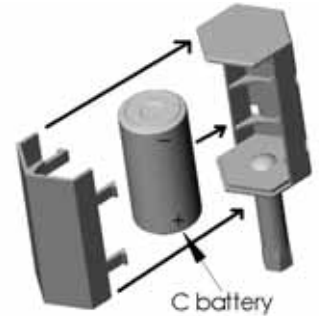


**5.** Use a tie strap to secure the batteries in the holder.

**6.** Decal the body as desired and install on the chassis. Install the wing wire into the holes in the rear shock tower. **Note:** If the wing fits loosely, bend the end of the wires a bit.

## RUNNING THE NITRO EVADER™

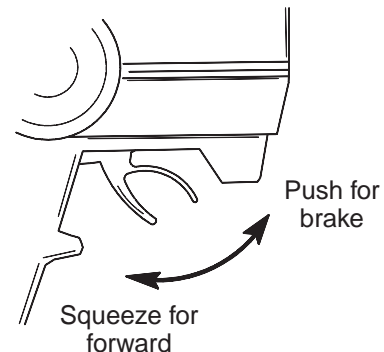
**1.** Install the included "C" size battery into the included glow starter.



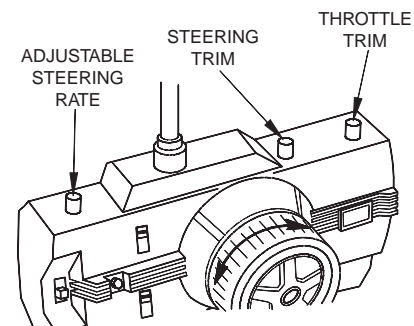
**2.** Add fuel to the fuel tank using the included fuel bottle.

**3.** Turn the transmitter "on" and check that the battery indicator light is on. If the battery indicator light is not "on" or is blinking, you need to change your transmitter batteries before running your Nitro Evader.

**4.** Turn on the Nitro Evader.



**5.** Make sure the throttle opens all the way when the throttle is applied on the transmitter. Make sure the brakes work adequately when the trigger is pushed forward.



**6.** Make sure the front wheels of the Nitro Evader move left and right correctly when the transmitter wheel is turned.

**7.** To make your Nitro Evader drive in a straight line, you may need to adjust the steering trim knob located on the transmitter. Rotate the adjustable steering rate knob to increase or decrease the steering travel. When first learning to drive, adjust for less steering travel. As you get to be a better driver, adjust for more steering travel.

**8.** Prime the Engine (when cold) - Wrap your finger with a shop towel and place it over the tuned pipe's exhaust exit. Pull the recoil gently until you can see fuel reach the carburetor (looking through the fuel tubing). **Note:** The engine should not require priming when hot unless you have run out of fuel).



**9.** Attach the glow starter to the glow plug.

**10.** Start the engine by pulling the recoil. Use short, quick pulls. **DO NOT** pull the recoil starter's string to the end. You only need 10-12 inches of pull to start the engine.

**11.** To stop the engine, pinch the fuel line that runs from the fuel tank to the carburetor. The engine should quit within a few seconds.

**12.** Maintain your Nitro Evader after each run to help prevent damage to your kit. Refer to the assembly and operation manual, pages 11,12, and 19, for detailed maintenance tips.



## BREAK-IN GUIDELINES:

**Important:** If this is the first time running the DTX 18 engine, please follow these guidelines for proper break-in. For a more detailed explanation, please refer to pages 9 and 10 of the assembly and operation manual.

**1.** Adjust the high-speed needle **2 turns** out from fully closed.

**2.** Run with the body off and on a smooth surface.

**3. Tanks 1-2:** Run the buggy at varying speeds. The engine will sound "rich" and "blubbery" and may stall often. This is normal.

**4. Tanks 3-5:** For each additional tank, turn in the high speed needle valve 1/8th turn. With each tank, the engine will run faster, idle more reliably, and accelerate quicker. Important! Check the temperature of the engine during each run (described on page 10 of the manual). If the temp is too high, turn the high-speed needle out (counter-clockwise).

After tank 5 your engine should be running close to peak performance. At this point, install the body and go to the track!

**Note:** The DTX engine is designed to racing tolerances and will continue to perform better and run cooler as you race your buggy! We have found that under normal circumstances, the final high-speed needle setting (after about 10 tanks) will be approximately 1-1/4 to 1-3/8 turns out.



If you have any questions, contact  
Duratrax Product Support at  
**217-398-8970, Ext. 5**  
Monday - Friday 8am-5pm CST or at  
[carsupport@duratrax.com](mailto:carsupport@duratrax.com)