



1/10 STARTER BOX

IF YOU HAVE ANY QUESTIONS ON THE ASSEMBLY OR USE OF THIS PRODUCT,
PLEASE CALL PRODUCT SUPPORT AT (217) 398-8970 OR E-MAIL AT productsupport@hobbico.com

REFER TO THE EXPLODED VIEW DRAWING DURING ASSEMBLY

- ❑ 1. Install the motor assembly (1) into the starter box. Determine which direction the starter wheel should be mounted into the box to start the desired vehicle. Use the four 4x8mm machine screws to attach the motor assembly to the starter box. Before tightening the screws all the way place the starter box lid (2) over the top of the wheel to make sure it will clear the starter wheel cutout. Adjust as necessary.
- ❑ 2. Press the black on/off switch (3) into the side of the starter box from the outside of the panel.
- ❑ 3. Install the starter actuator assembly (4) into the starter box by using two 4x12mm self-tapping screws.

REFER TO THE WIRING DIAGRAM

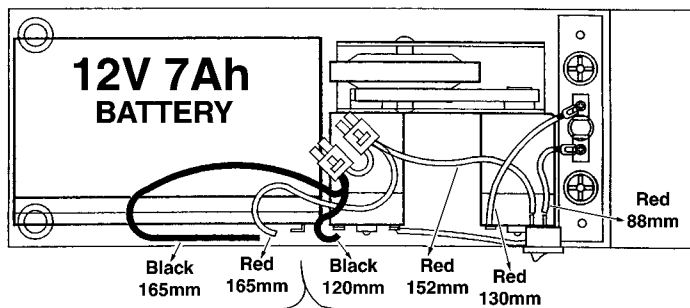
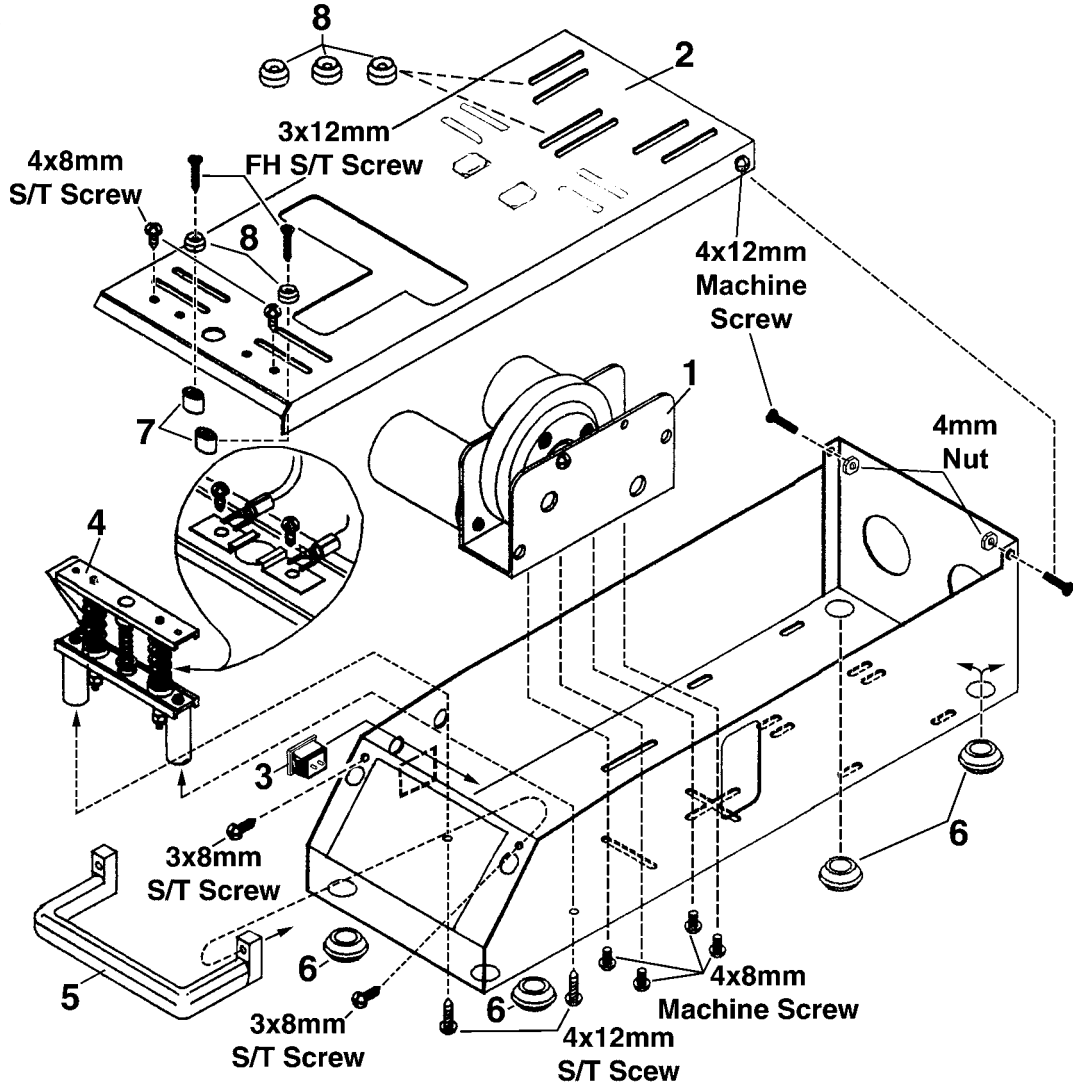
- ❑ 4. Attach the 88mm red wire with the 2-prong connector onto the actuator as shown. Attach the other end of the 88mm red wire to the switch.
- ❑ 5. Attach the 130mm red wire with the 2-prong connector onto the other side of the actuator as shown. Attach the other end of the 130mm red wire to the motor closest to the actuator.
- ❑ 6. Attach the short red wire from the Tamiya-style connector to the remaining tab on the switch.
- ❑ 7. Attach the 120mm black wire with the angled female connector to the motor farthest away from the actuator.

- ❑ 8. Install the desired battery/batteries into the starter box. To help secure the batteries into the starter box you may want to use velcro or double sided servo tape.
- ❑ 9. Attach the wires to the battery/batteries. If using two 7.2 volt batteries hook the batteries up using the pre-installed Tamiya-style connectors. If using a 12 volt gel cell battery, use the 165mm red and black wires with the female connectors on the end.
- ❑ 10. Install the plastic handle (5) into the front of the starter box, and attach it using two 3x8mm self-tapping screws.
- ❑ 11. Mount the top (2) of the starter box using two 4x12mm machine screws with 4mm nuts. Make sure not to over-tighten the nuts; the lid should move freely.
- ❑ 12. Press the four round rubber feet (6) into the four round holes in the bottom of the starter box. The rubber feet are to prevent sliding and scraping on the bottom of the starter box.
- ❑ 13. Place the plastic cylinders (7) with the raised portion up through the bottom of the slots in the top of the starter box. Then take the round plastic pieces (8) and run a 3x12mm flat head self-tapping screw through them into the plastic cylinders. These are used to align the vehicle on the starter box. These can be placed wherever necessary. Only use as many as needed.
- ❑ 14. Use two 4x8mm self-tapping screws to secure the top of the starter box to the top of the starter actuator.

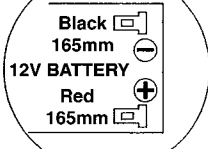
REPLACEMENT PARTS

STOCK #	DESCRIPTION	MFG #	STOCK #	DESCRIPTION	MFG #
DTXP5710	Motor	5710	DTXP5722	Large Pulley	5722
DTXP5712	Front Bearing	5712	DTXP5724	Flywheel	5724
DTXP5714	Motor Mount	5714	DTXP5726	Accessory Set	5726
DTXP5716	Small Pulley	5716	DTXP5728	Pin and Spring	5728
DTXP5718	Flywheel Shaft	5718	DTXP5730	Switch	5730
DTXP5720	Belt	5720			

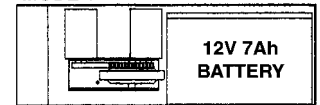
Exploded View



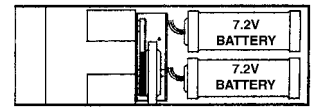
Wiring Diagram



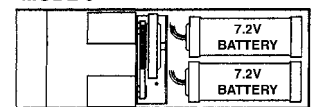
MODE 1



MODE 2



MODE 3



Optional Configurations

OFF-ROAD
LEFT SIDE