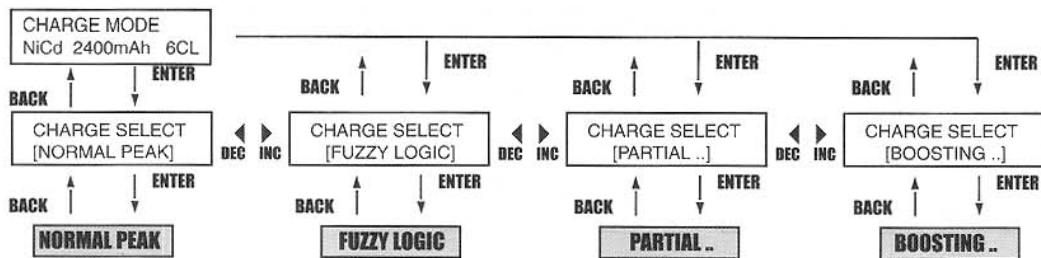


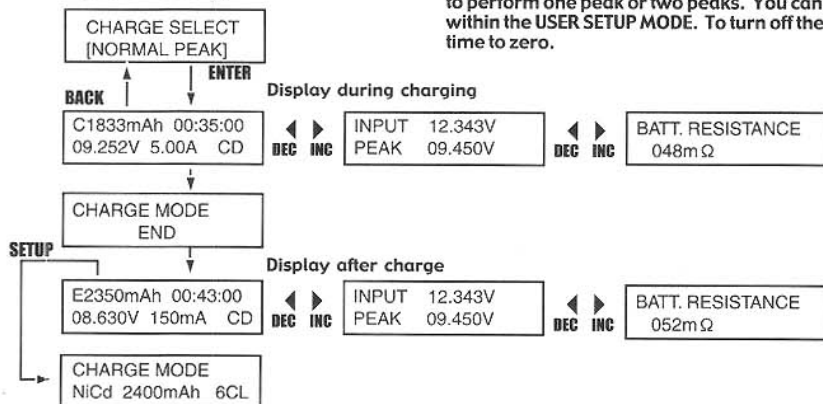
CHARGE



Change to CHARGE SELECT screen, when press "ENTER".
Choose charge selection control by DEC and INC buttons.
Then press "ENTER" to start.

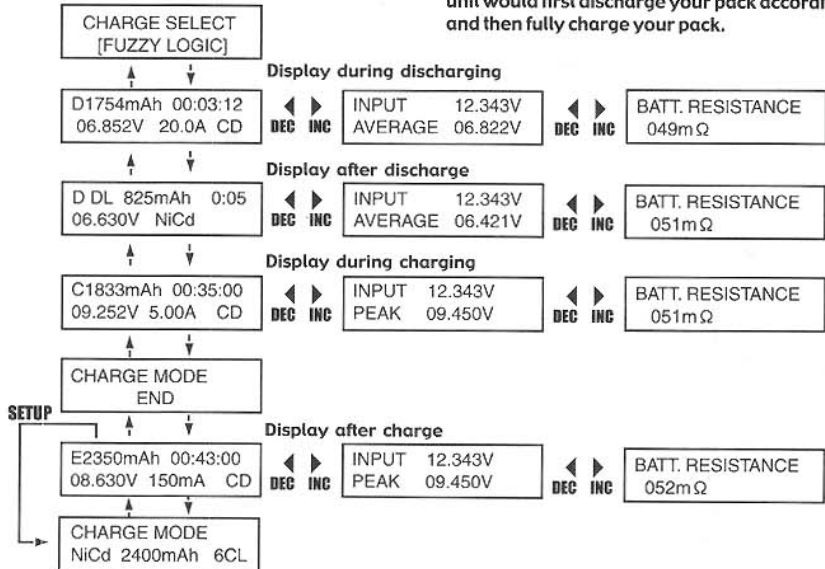
NORMAL PEAK

Normal Peak Use this mode for all standard charging applications. You can setup the unit to perform one peak or two peaks. You can setup the auto repeak delay time within the USER SETUP MODE. To turn off the 2nd peak, set the repeak delay time to zero.



FUZZY LOGIC

Fuzzy Logic This charge mode is especially useful for packs with a partial charge. The unit would first discharge your pack according to your preset discharge rate and then fully charge your pack.



PARTIAL ..

Partial.. Use this mode only for Ni-MH cell(s). Certain Ni-MH batteries require a partial charge for long term storage. You can program the amount of partial charge in the USER SETUP MODE. 10 to 30% usually good for Ni-MH battery.

