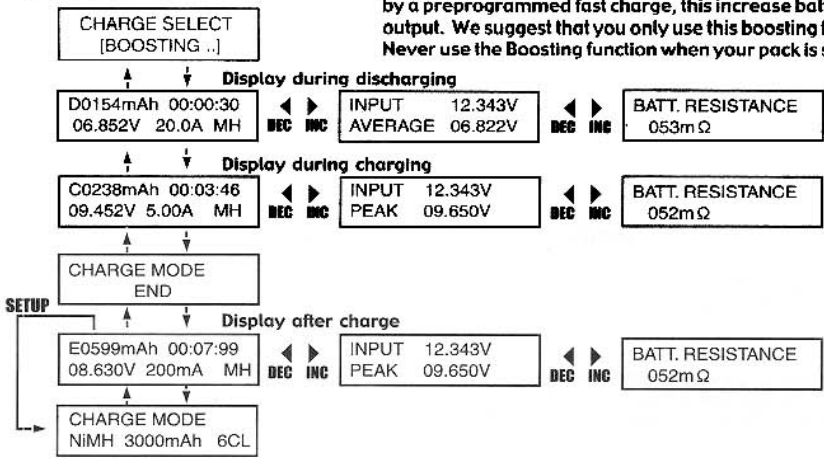


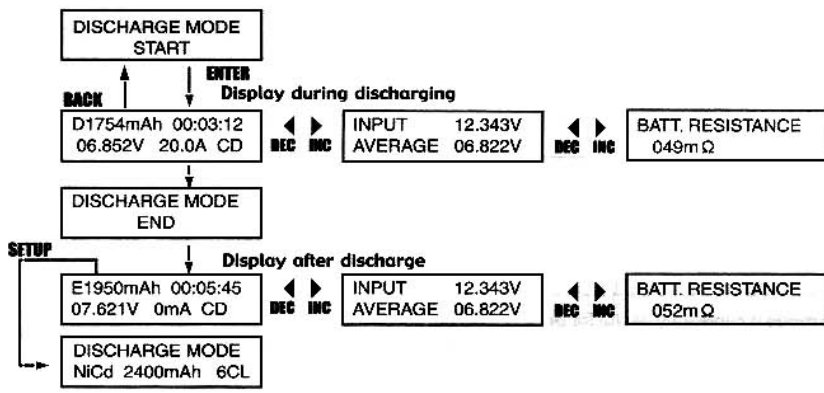
BOOSTING

Boosting..

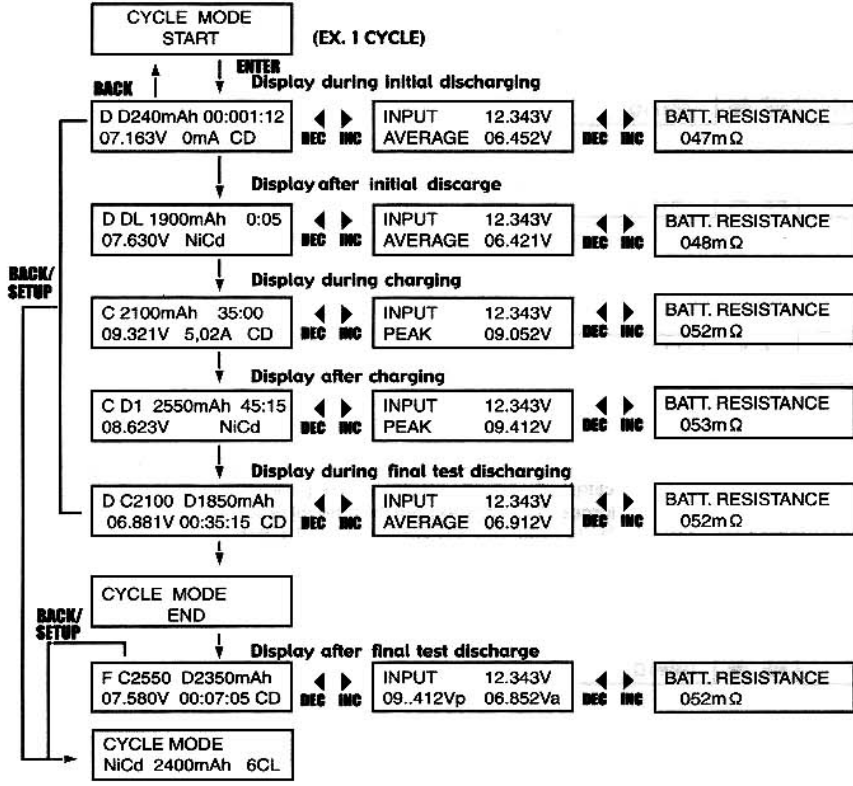
This mode is developed for racing application. You can push the BOOSTING function. The unit first partial discharge your pack momentarily follow by a preprogrammed fast charge, this increase battery temperature as well as it's overall voltage output. We suggest that you only use this boosting feature when your pack is cool. Never use the Boosting function when your pack is still warm.



DISCHARGE (Discharge Start)



CYCLE (Cycle Start)



DISPLAY RESULT

You can push DEC and INC together to access a special screen. This screen save previous battery charge and discharge information, data is available until power source is disconnected.

