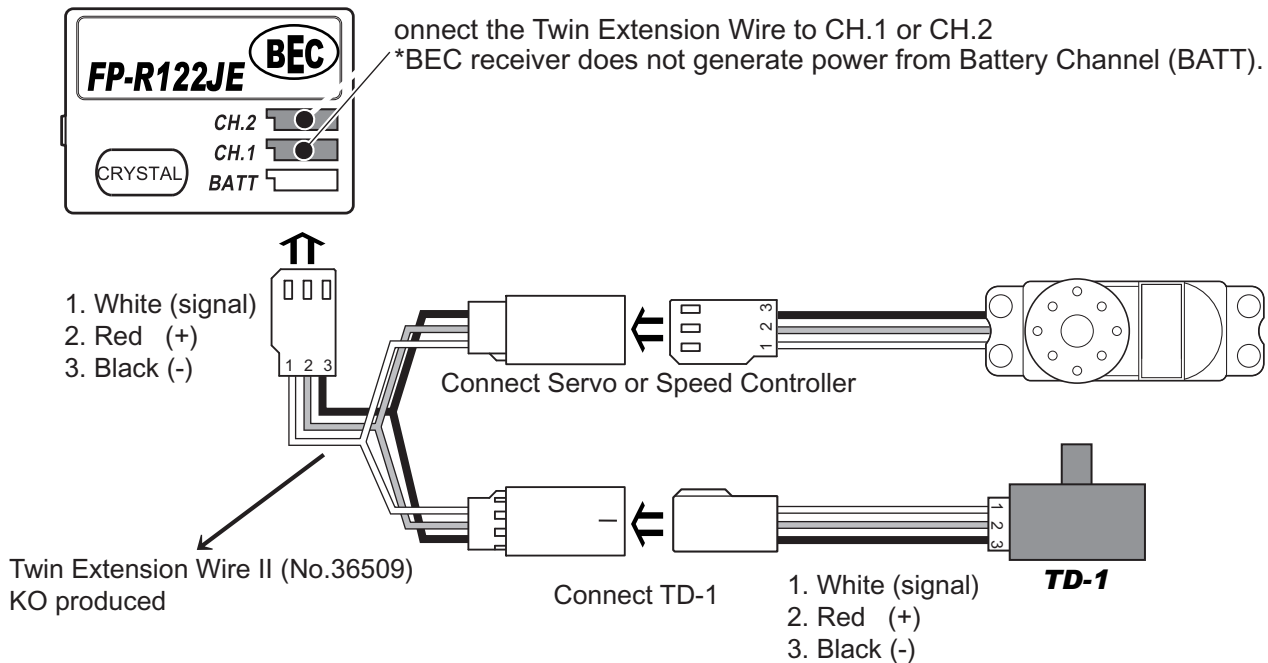
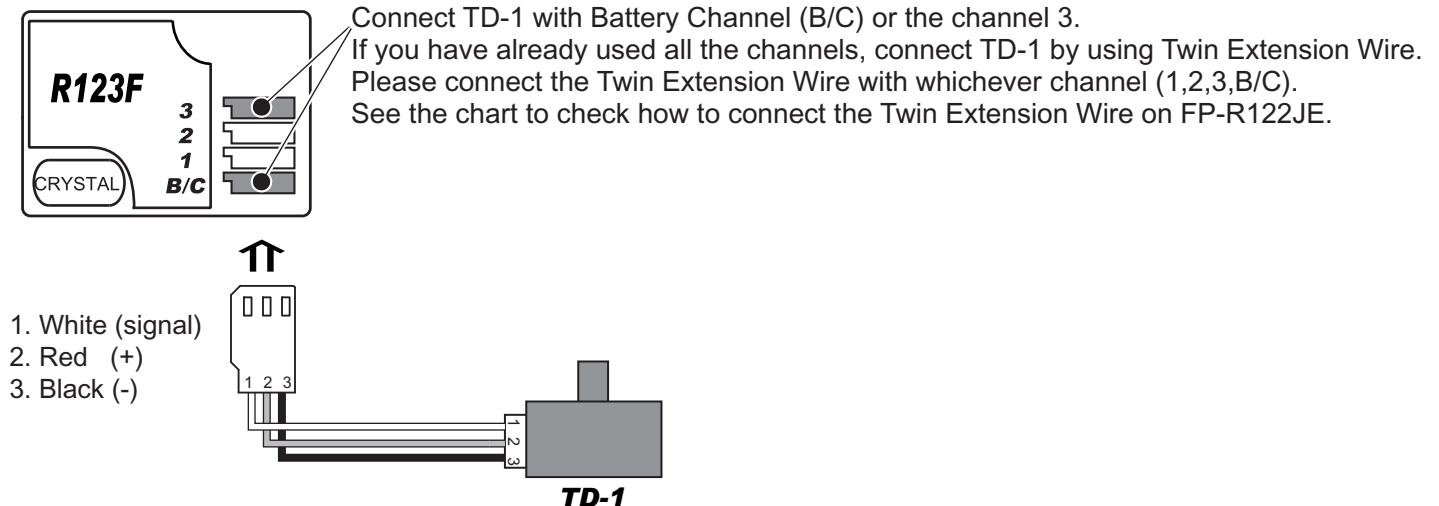


In case of Connecting TD-1 (small transmitter) with FUTABA receiver

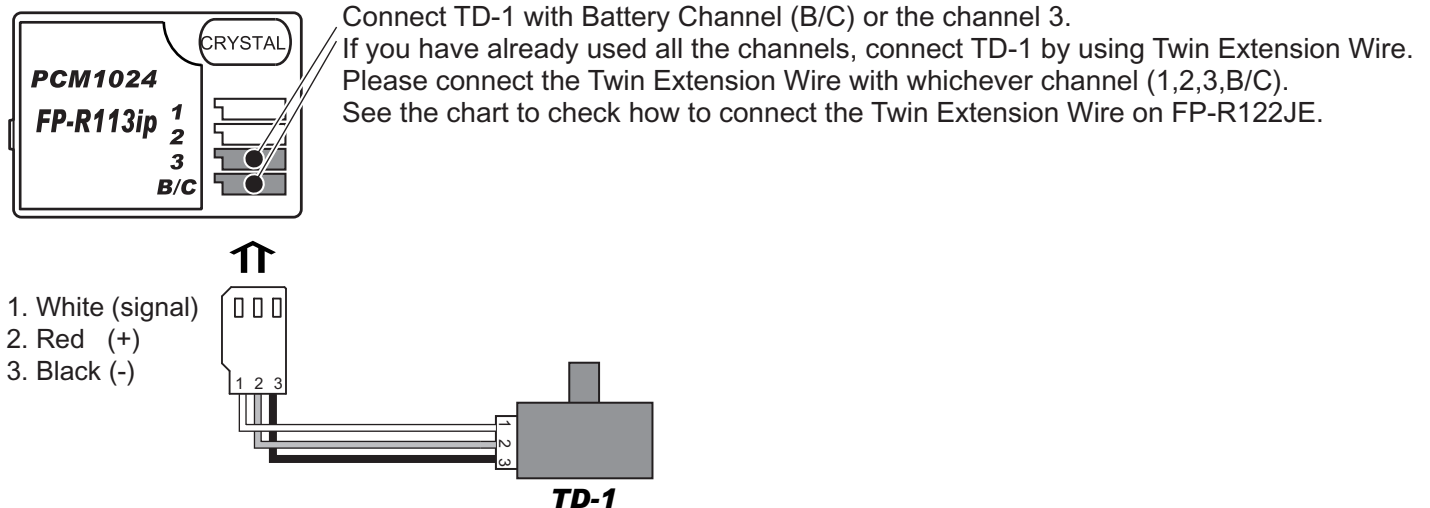
FP-R122JE(BEC)



R123F



FP-R113ip



※ For the use of other receiver, please refer to above connection method.