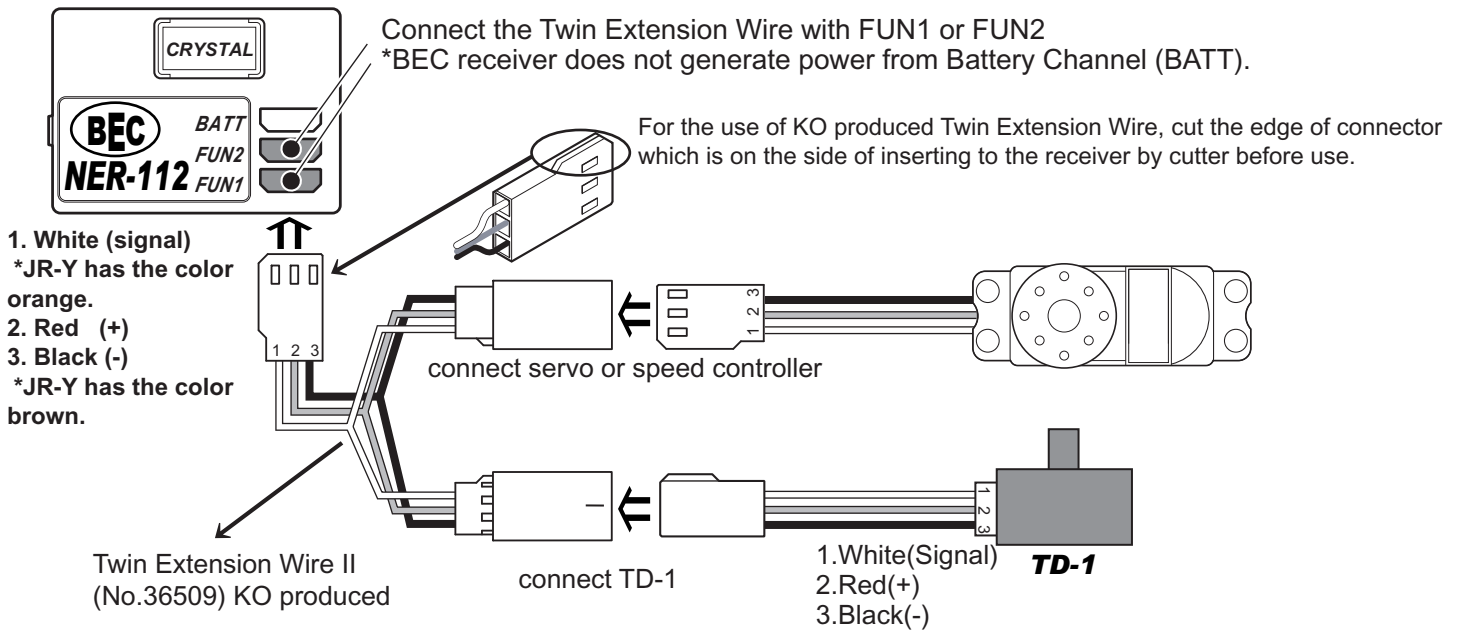
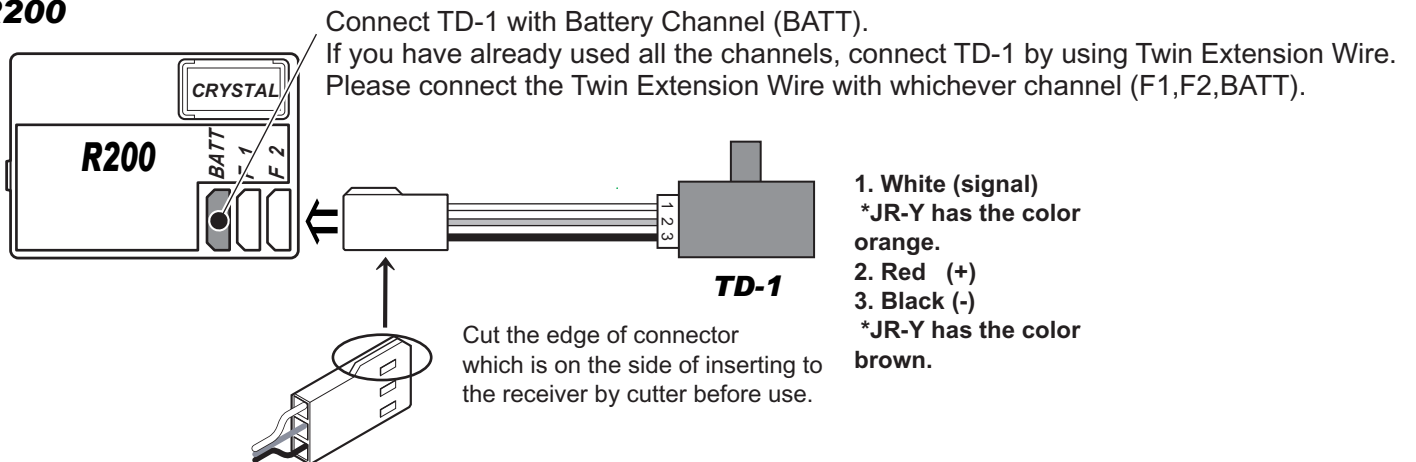


In case of Connecting TD-1 (small transmitter) with JR receiver

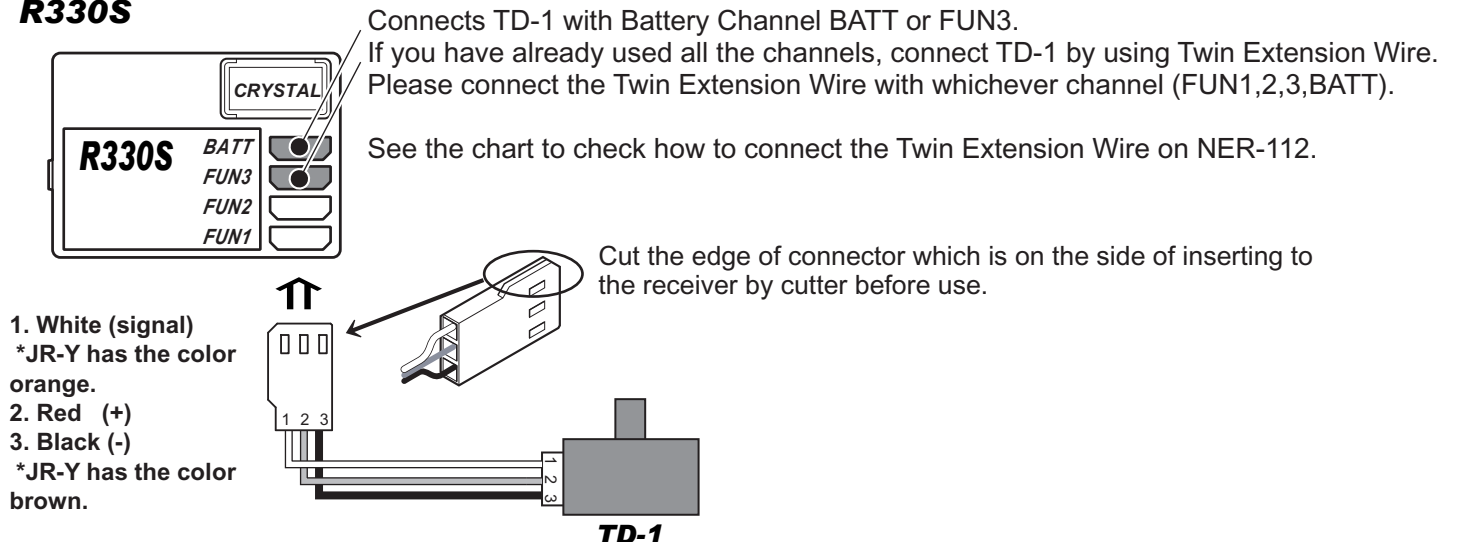
NER-112(BEC)



R200



R330S



*For the use of other receiver, please refer to above connection method.