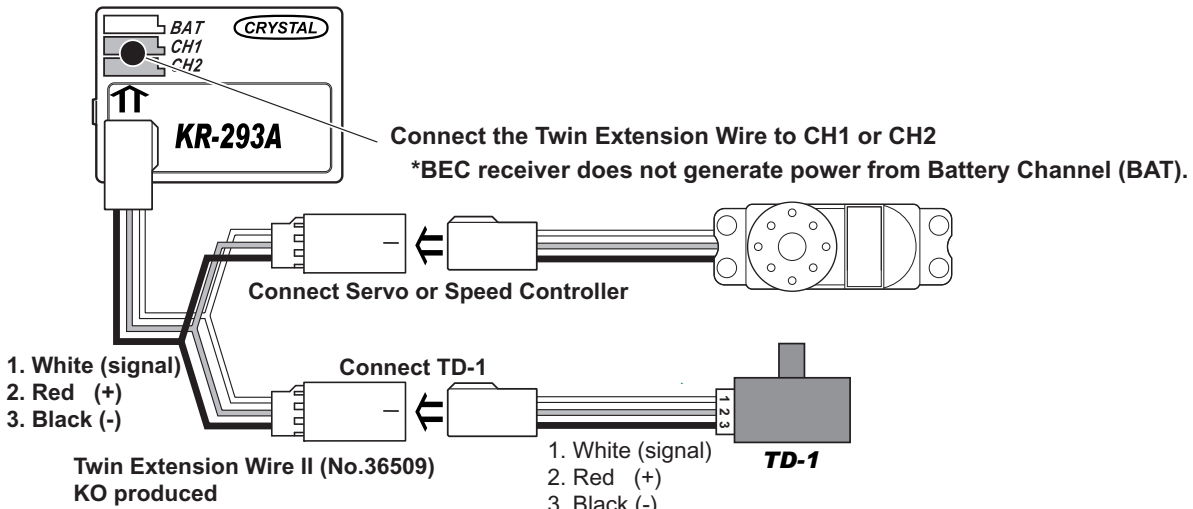
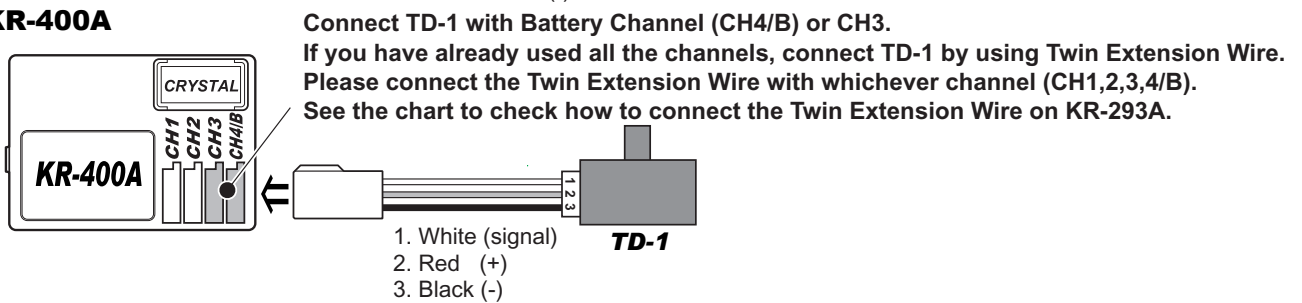


In case of Connecting TD-1 (small transmitter) with our receiver

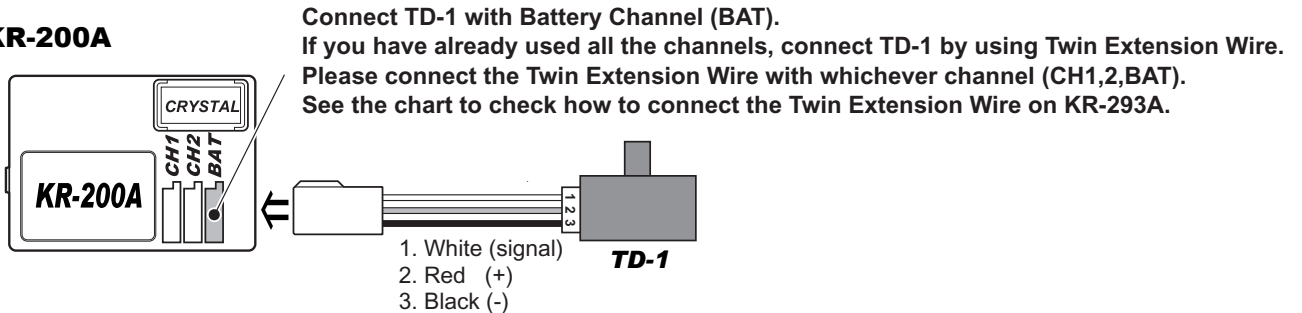
***KR-293A (BEC)**



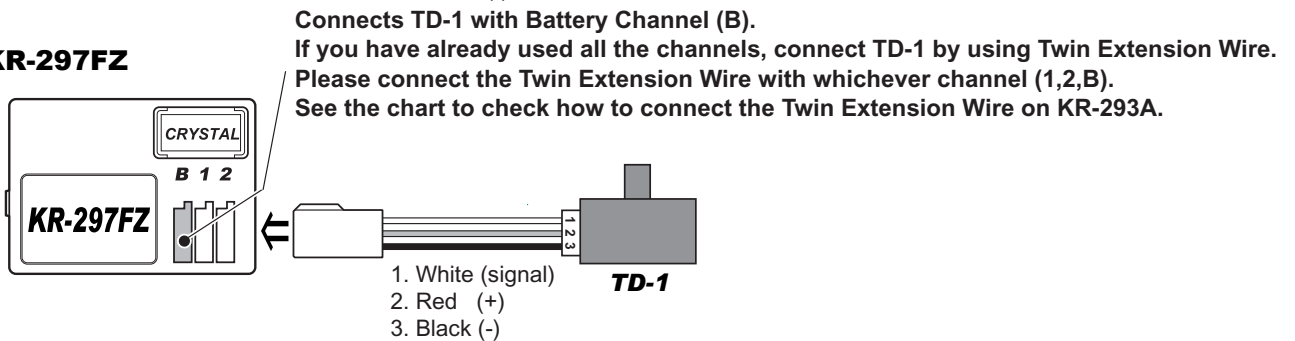
***KR-400A**



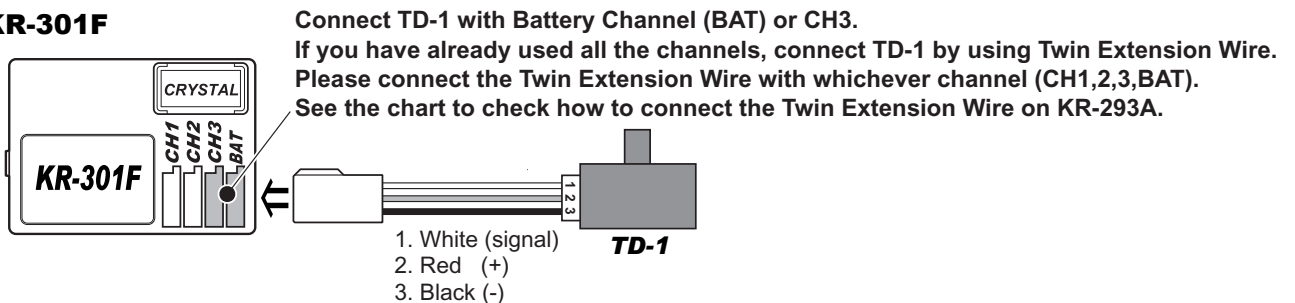
***KR-200A**



***KR-297FZ**



***KR-301F**



*For the use of other receiver, please refer to above connection method.