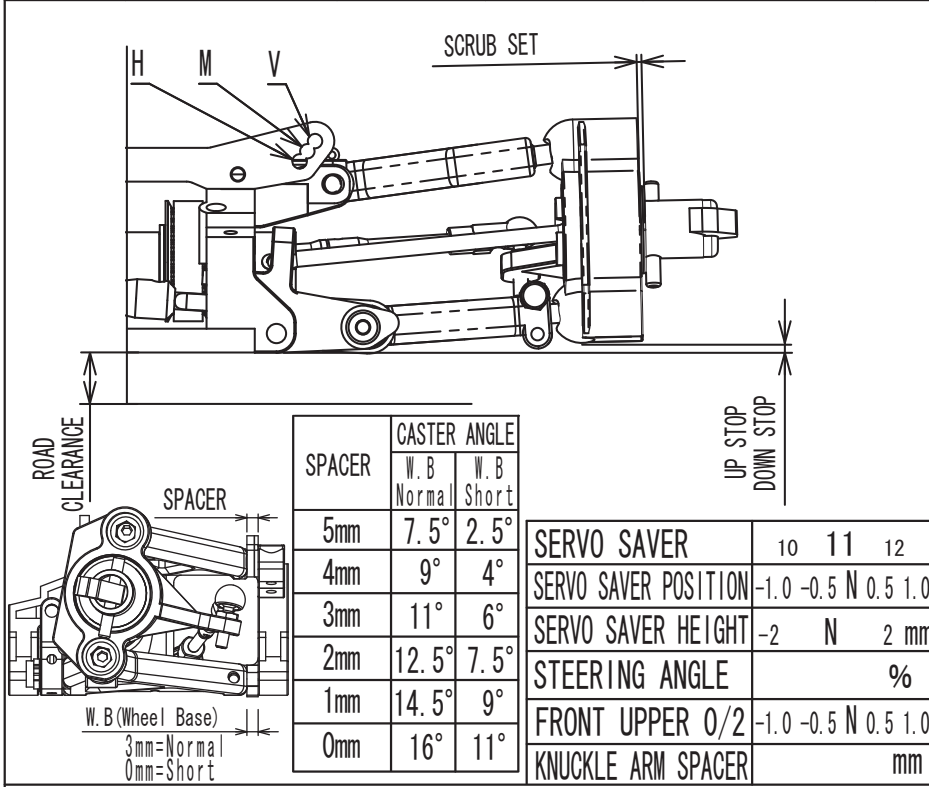
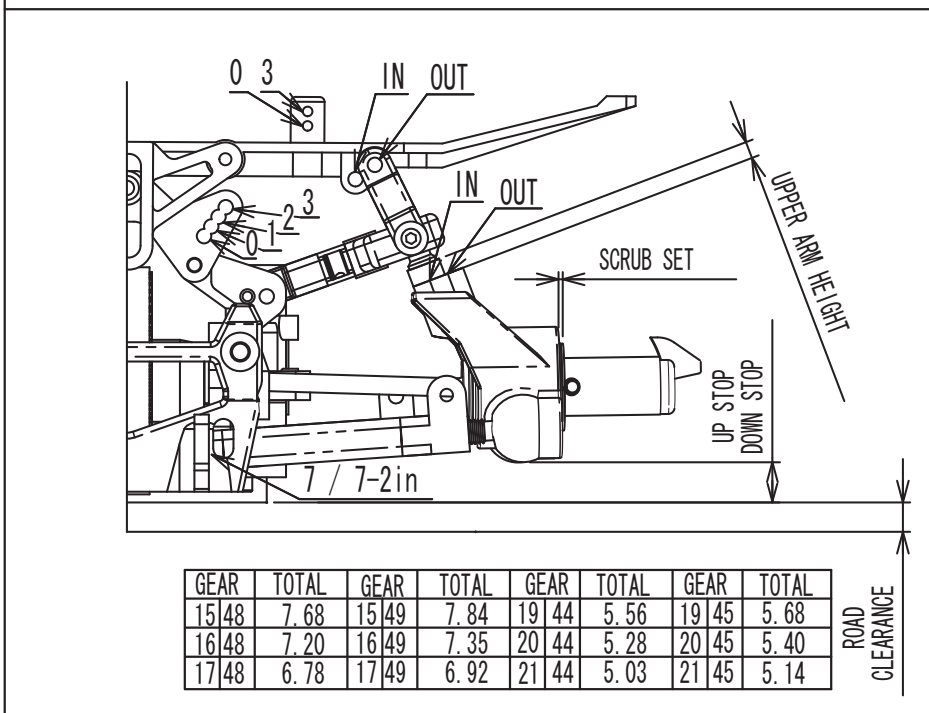


EVOLVA 2005 SETTING DATA SHEET Ver1.00

NAME		TEMP	°C	ENGINE		MUFFLER	
DATE		HUMIDITY	%	HEAD CLEARANCE	mm	FUEL TYPE	
TRACK		TRACTION	%	PLUG No.		RADIO	



SHOCK OIL	400 450 500 550 600 700 800
DIAPHRAGM	N
SHOCK PISTON	N
SPRING	1.8 1.9 2.0
SPRING ADJUSTER	mm
SHOCK POS	H M V
SCRUB SET	0.5 1.0
CASTER ANGLE / W. B	° / Normal Short
CAMBER ANGLE OG/1G	L 0 0.5 1 1.5 2 2.5 3 R 0 0.5 1 1.5 2 2.5 3
TOE ANGLE	°
FRONT WIDTH OG/1G	mm
UP STOP	mm
DOWN STOP	mm
SERVO SAVER	10 11 12
SERVO SAVER POSITION	-1.0 -0.5 N 0.5 1.0
SERVO SAVER HEIGHT	-2 N 2 mm
STEERING ANGLE	%
FRONT UPPER 0/2	-1.0 -0.5 N 0.5 1.0
KNUCKLE ARM SPACER	mm
ANTIROLL BAR	VZ084 VZ084s
TIRE HARDNESS	32 35 37 40
TIRE TYPE	
TIRE DIAMETER	φ mm
ROAD CLEARANCE	mm



SHOCK OIL	400 450 500 550 600 700 800
DIAPHRAGM	N
SHOCK PISTON	N
SPRING	1.8 1.9 2.0
SPRING ADJUSTER	mm
SHOCK POS	0 1 2 3
SCRUB SET	0.5 1.0 1.5 2.0
UPPER ARM	mm IN/OUT
CAMBER ANGLE OG/1G	L 0.5 1 1.5 2 2.5 3 3.5 R 0.5 1 1.5 2 2.5 3 3.5
TOE ANGLE	°
REAR WIDTH OG/1G	mm
UP STOP	mm
DOWN STOP	mm
ANTIROLL BAR	φ3 / ○
TIRE HARDNESS	32 35 37 40
TIRE TYPE	
TIRE DIAMETER	φ mm
ROAD CLEARANCE	mm
SUS HOLDER	7 / 7-2in
BODY	
BODY POSITION	mm
REAR SPOILER	mm

CLUTCH TYPE	3D 4D	PINION GEAR	15 16 17 / 19 20 21
CLUTCH SHOE	BLACK RED GREY	SPUR GEAR	48 49 / 44 45
CENTRIFUGAL SHOE	N	DRIVE RATIO	7mm Difference 26/18 (420 BELT)
CLUTCH SPRING			
CLEARANCE	mm	BODY MOUNT POSITION	IN / OUT
ADJ. NUT	mm	BODY MOUNT HEIGHT	0 / 3

MEMO