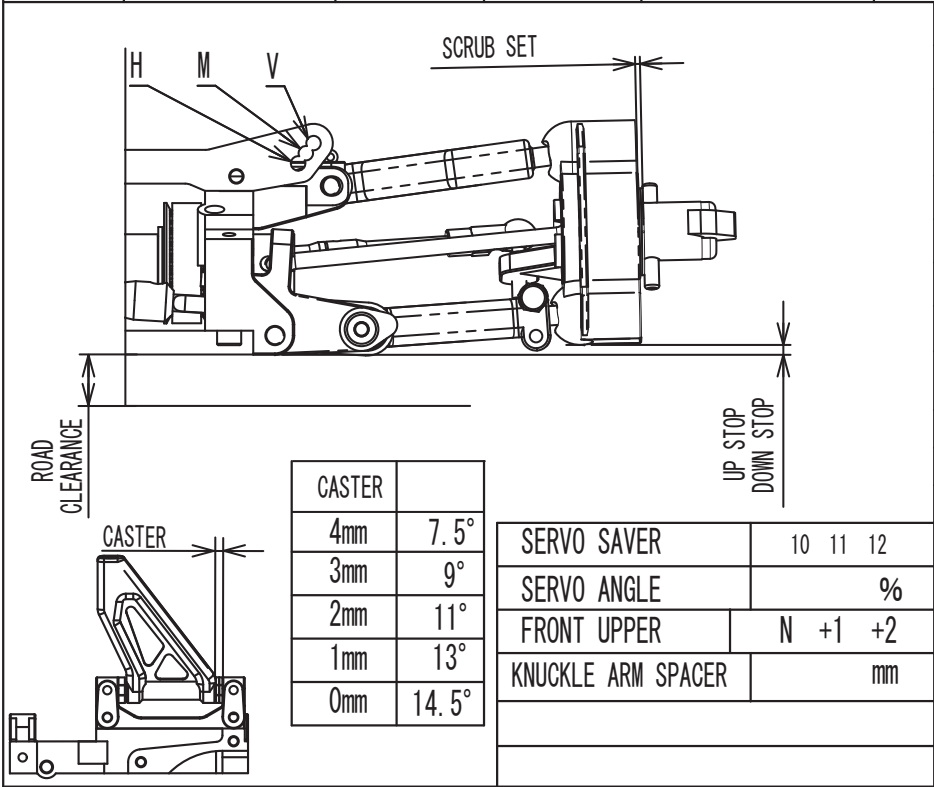
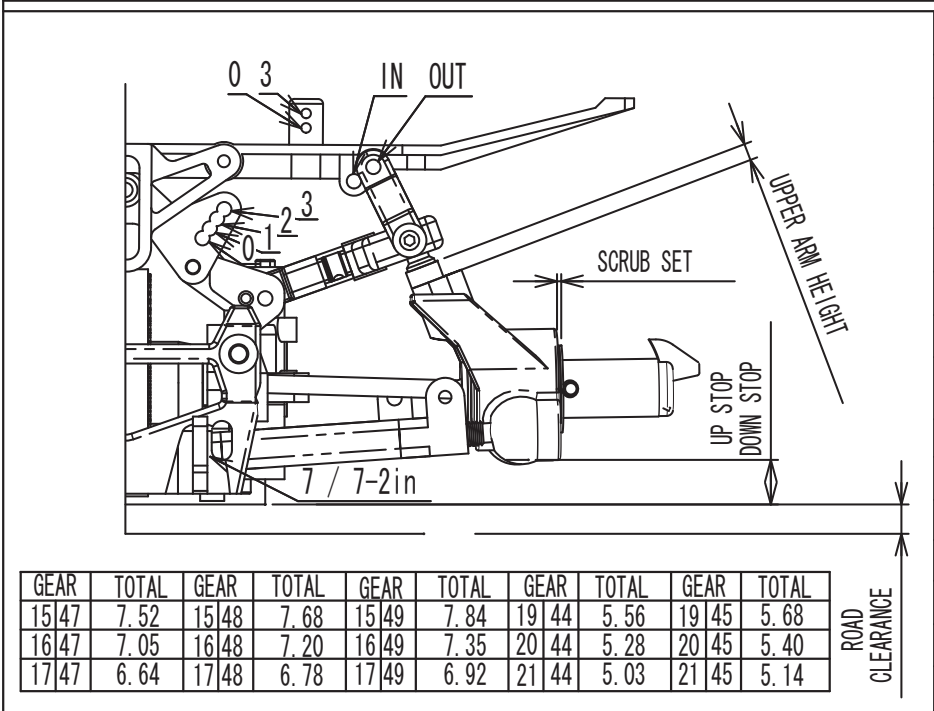


EVOLVA 2003 SETTING DATA SHEET Ver1.00

NAME	TEMP	°C	ENGINE	MUFFLER
DATE	HUMIDITY	%	HEAD CLEARANCE	mm
TRACK	TRACTION	%	PLUG No.	RADIO



SHOCK OIL	400 450 500 550 600 700 800
DIAPHRAGM	
SHOCK PISTON	N
SPRING	1.8 1.9 2.0
SPRING ADJUSTER	mm
SHOCK POS	H M V
SCRUB SET	0.5 1.0
CASTER ANGLE	mm
CAMBER ANGLE OG/1G	L 0 0.5 1 1.5 2 2.5 3 R 0 0.5 1 1.5 2 2.5 3
TOE ANGLE	
FRONT WIDTH	mm
UP STOP	mm
DOWN STOP	mm
SERVO SAVER	10 11 12
SERVO ANGLE	%
FRONT UPPER	N +1 +2
KNUCKLE ARM SPACER	mm
ANTIROLL BAR	⊖ ⊗ ⊘ ⊙ ⊕
TIRE HARDNESS	32 35 37 40
TIRE TYPE	STANDARD / MULTI
TIRE DIAMETER	φ mm
ROAD CLEARANCE	mm



SHOCK OIL	400 450 500 550 600 700 800
DIAPHRAGM	
SHOCK PISTON	N
SPRING	1.8 1.9 2.0
SPRING ADJUSTER	mm
SHOCK POS	0 1 2 3
SCRUB SET	0.5 1.0 1.5 2.0
UPPER ARM	mm IN/OUT
CAMBER ANGLE OG/1G	L 0.5 1 1.5 2 2.5 3 3.5 R 0.5 1 1.5 2 2.5 3 3.5
TOE ANGLE	
REAR WIDTH	mm
UP STOP	mm
DOWN STOP	mm
ANTIROLL BAR	φ3 / ○
TIRE HARDNESS	32 35 37 40
TIRE TYPE	STANDARD / MULTI
TIRE DIAMETER	φ mm
ROAD CLEARANCE	mm
SUS HOLDER	7 / 7-2in
BODY	
BODY POSITION	mm
REAR SPOILER	mm

CLUCH TYPE	3D 4D	PINION GEAR	15 16 17 18/19 20 21 22
CLUCH SHOE	N RED GREY	SPUR GEAR	47 48 49 / 44 45
HUGAL SHOE	N	DRIVE RATIO	7mm Difference 26/18 (420 BELT)
CLUCH SPRING			
CLEARANCE	mm	BODY MOUNT POS	IN / OUT
ADJ. NUT	mm	BODY MOUNT HEIGHT	0 / 3

MEMO