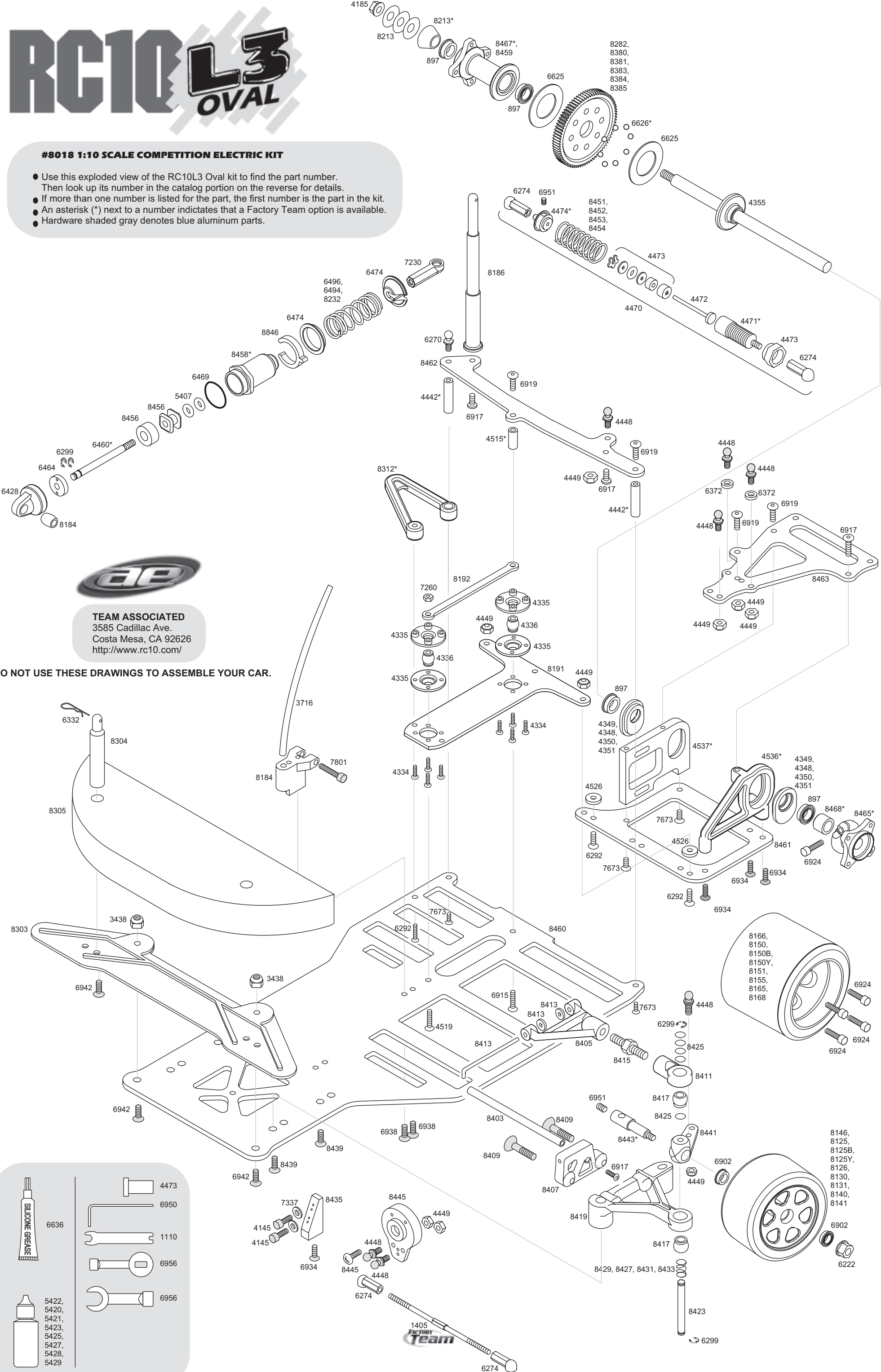


# RC10 L3 OVAL

## #8018 1:10 SCALE COMPETITION ELECTRIC KIT

- Use this exploded view of the RC10L3 Oval kit to find the part number. Then look up its number in the catalog portion on the reverse for details.
- If more than one number is listed for the part, the first number is the part in the kit.
- An asterisk (\*) next to a number indicates that a Factory Team option is available.
- Hardware shaded gray denotes blue aluminum parts.



**TEAM ASSOCIATED**  
 3585 Cadillac Ave.  
 Costa Mesa, CA 92626  
<http://www.rc10.com/>

DO NOT USE THESE DRAWINGS TO ASSEMBLE YOUR CAR.

**SILICONE GREASE** 6636

4473  
 6950  
 1110  
 6956  
 6956

5422,  
 5420,  
 5421,  
 5423,  
 5425,  
 5427,  
 5428,  
 5429



8166,  
 8150,  
 8150B,  
 8150Y,  
 8151,  
 8155,  
 8165,  
 8168

8146,  
 8125,  
 8125B,  
 8125Y,  
 8126,  
 8130,  
 8131,  
 8140,  
 8141