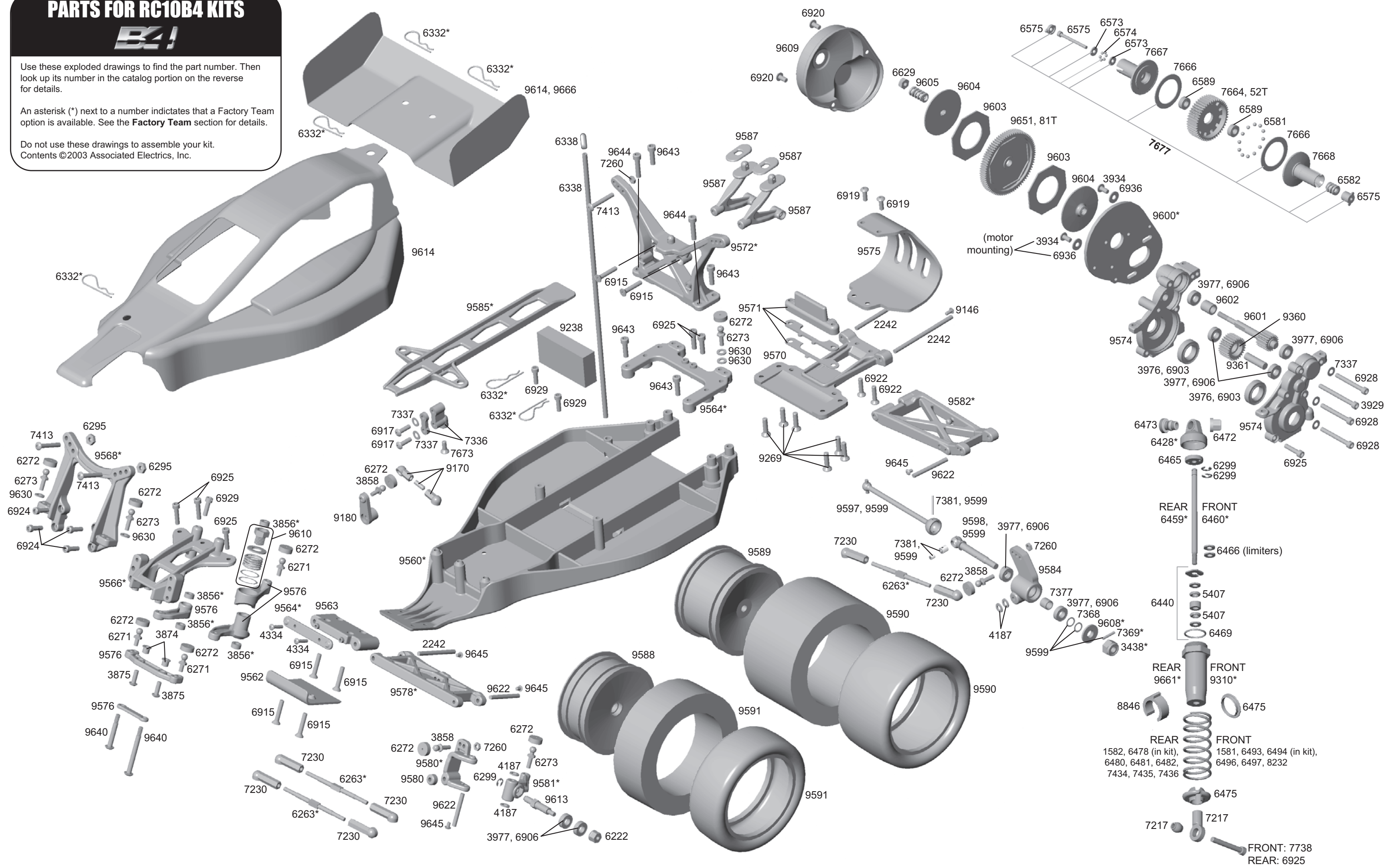


PARTS FOR RC10B4 KITS

Use these exploded drawings to find the part number. Then look up its number in the catalog portion on the reverse for details.

An asterisk (*) next to a number indicates that a Factory Team option is available. See the **Factory Team** section for details.

Do not use these drawings to assemble your kit. Contents ©2003 Associated Electrics, Inc.



REAR	FRONT
1582, 6478 (in kit), 6480, 6481, 6482, 7434, 7435, 7436	1581, 6493, 6494 (in kit), 6496, 6497, 8232

FRONT: 7738
REAR: 6925