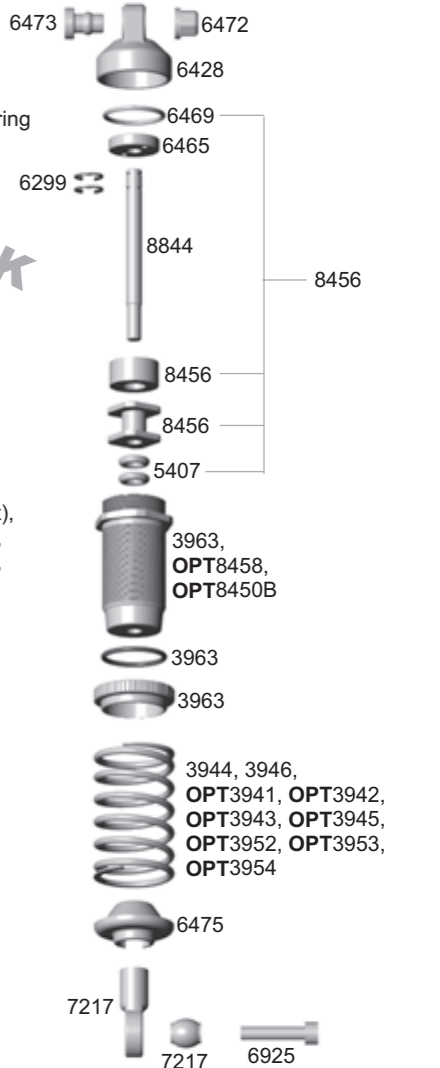
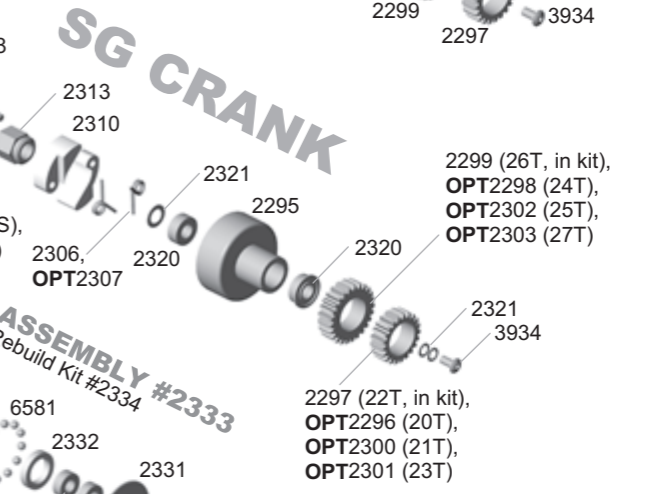
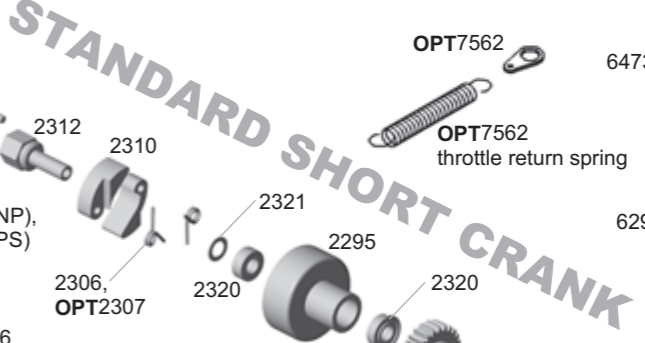
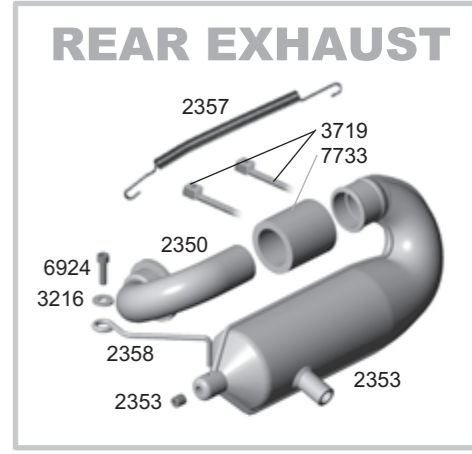
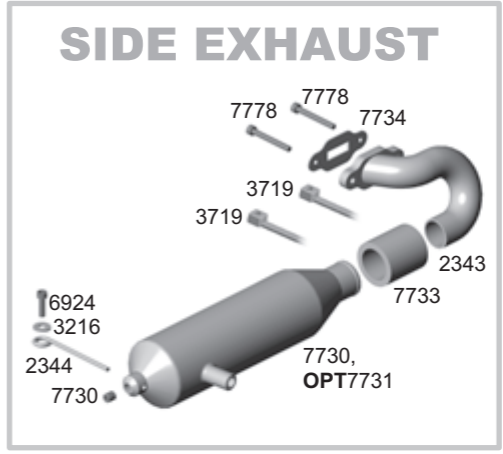
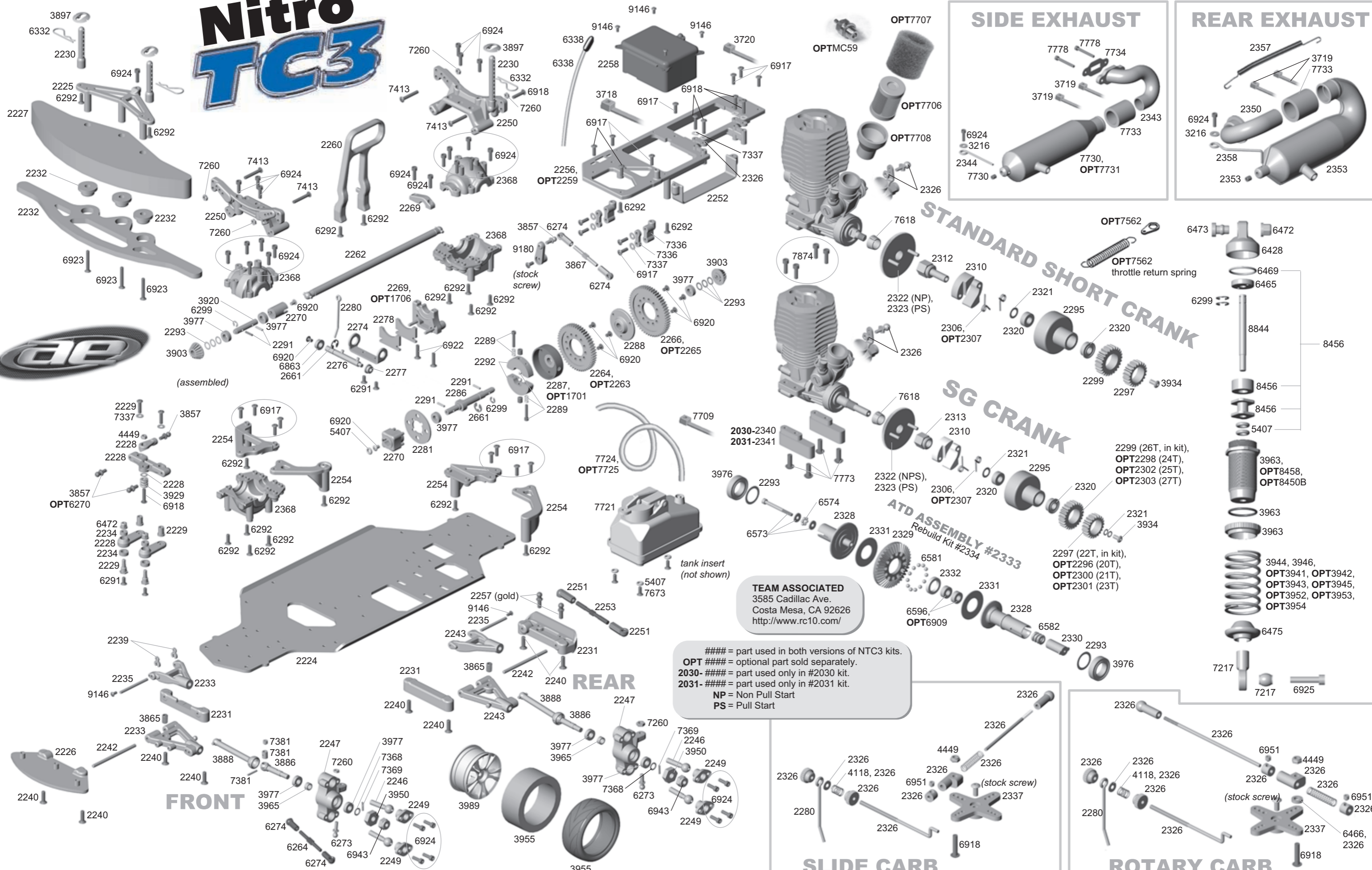


Nitro TC3



TEAM ASSOCIATED
 3585 Cadillac Ave.
 Costa Mesa, CA 92626
<http://www.rc10.com/>

= part used in both versions of NTC3 kits.
 OPT #### = optional part sold separately.
 2030-#### = part used only in #2030 kit.
 2031-#### = part used only in #2031 kit.
 NP = Non Pull Start
 PS = Pull Start

FRONT

REAR

SLIDE CARB

ROTARY CARB

DO NOT USE THESE DRAWINGS TO ASSEMBLE YOUR CAR