



# SETUP SHEET

Track: \_\_\_\_\_

Driver: \_\_\_\_\_

Date: \_\_\_\_\_

- 
- Indoor
- 
- 
- Outdoor

- 
- Tight /
- 
- Open

- 
- Slick
- 
- 
- Loose Dirt
- 
- 
- Blue-Groove

- 
- Smooth
- 
- 
- Rough
- 
- 
- Extra-Rough

## FRONT SUSPENSION

(Circle or Check the Appropriate Settings)

 In \_\_\_\_\_ °  
 Toe  Out \_\_\_\_\_
Pivot Support:  5F(5°),  7.5F(7.5°),  10F(10°)
 Standard 42F 42R  
 Overdrive 41F 42R  
 Underdrive 42F 41R

Ride Height \_\_\_\_\_

Front Drive:

- 
- Diff
- 
- 
- One-Way

Drive Shafts

- 
- Dogbone
- 
- Aluminum
- 
- 
- CVD
- 
- Steel

 - \_\_\_\_\_ °  
 Camber  + \_\_\_\_\_

 Diff  Plastic  
 Steel

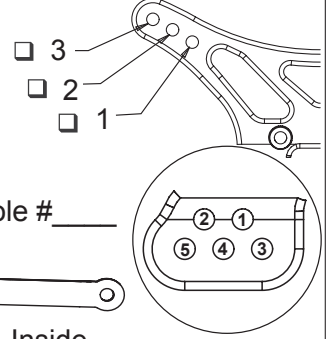
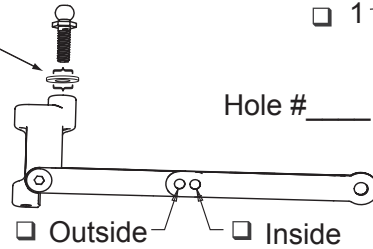
# of washers \_\_\_\_\_

 Stock \_\_\_\_\_ °  
 Caster  Other \_\_\_\_\_

 No  
 Sway Bar  Yes size \_\_\_\_\_
# of washers under steering/  
tie-rod ball studs

Spindle ball stud: \_\_\_\_\_

Bellcrank ball stud: \_\_\_\_\_



### Front Shocks

Oil: \_\_\_\_\_

Piston: \_\_\_\_\_  Standard /  Drilled

Spring: \_\_\_\_\_

Internal Spring: \_\_\_\_\_

Limiters:  Inside- \_\_\_\_\_  Outside- \_\_\_\_\_

### Notes:

## REAR SUSPENSION

Pivot Support:  -IR(-1°),  IR(1°),  3R(3°)
 Inside \_\_\_\_\_ °  
 Toe-In  Outside \_\_\_\_\_

Ride Height \_\_\_\_\_

 - \_\_\_\_\_ °  
 Camber  + \_\_\_\_\_

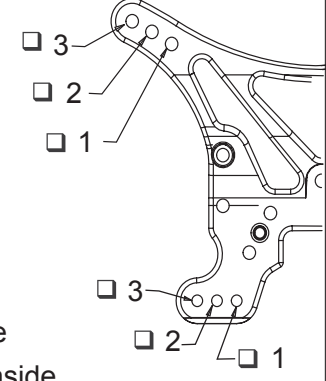
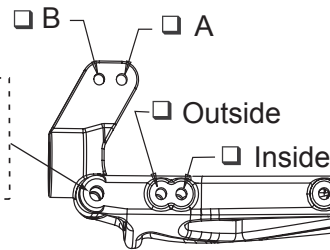
 Plastic  Dogbone  Aluminum  
 Diff  Steel  CVD  Steel  
 Sliders  Plastic

Drive Shafts

 NoSway Bar  Yes size \_\_\_\_\_

Hub Spacing

- 
- Forward
- 
- 
- Middle
- 
- 
- Back



### Rear Shocks

Oil: \_\_\_\_\_

Piston: \_\_\_\_\_  Standard /  Drilled

Spring: \_\_\_\_\_

Limiters:  Inside \_\_\_\_\_  Outside- \_\_\_\_\_

### Notes:

### Tires:

Compound

Foam

Front: \_\_\_\_\_

Rear: \_\_\_\_\_

Wing Setup: \_\_\_\_\_

Motor: \_\_\_\_\_

Pinion: \_\_\_\_\_

Spur: \_\_\_\_\_

Battery Placement:  Back  Forward  Other: \_\_\_\_\_

Transponder Position: \_\_\_\_\_

Notes: \_\_\_\_\_