

# Setup Sheet

Track: \_\_\_\_\_

Driver: \_\_\_\_\_

Date: \_\_\_\_\_

Indoor  
 Outdoor

Smooth  
 Rough

Slippery  
 High-Bite  
 Blue-Groove

Tight /  Open

## FRONT SUSPENSION

(Circle or Check the Appropriate Settings)

Toe  In \_\_\_\_\_ °  
 Out \_\_\_\_\_ °

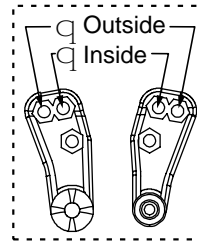
Ride Height \_\_\_\_\_

Camber  - \_\_\_\_\_ °  
 + \_\_\_\_\_ °

Caster  Stock \_\_\_\_\_ °  
 Other \_\_\_\_\_ °

Sway Bar  No  
 Yes size \_\_\_\_\_

# of washers under steering / tie-rod ball studs  
Spindle ball stud: \_\_\_\_\_  
Bellcrank ball stud: \_\_\_\_\_



# of washers under ball stud: \_\_\_\_\_

1  
 2  
 3

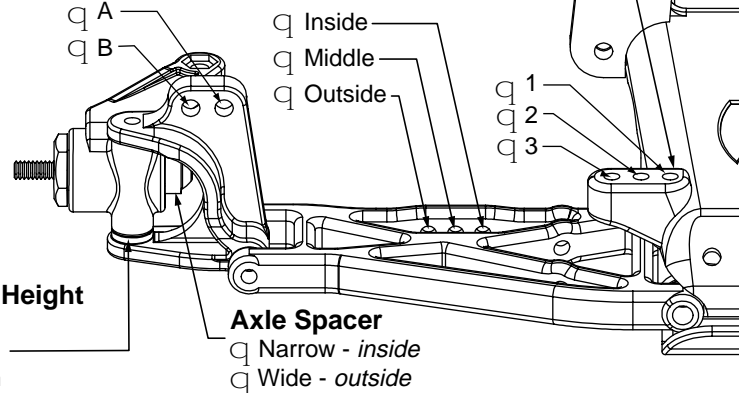
### Front Shocks

Oil: \_\_\_\_\_

Piston: \_\_\_\_\_  Standard /  Drilled

Spring: \_\_\_\_\_

Limiters:  Inside- \_\_\_\_\_  Outside- \_\_\_\_\_



## REAR SUSPENSION

Toe-In  Inside \_\_\_\_\_ °  
 Outside \_\_\_\_\_ °

Pivot Support \_\_\_\_\_  No Shim  
 Shim Under Front  
 Shim Under Rear } # of shims: \_\_\_\_\_

Ride Height \_\_\_\_\_

Camber  - \_\_\_\_\_ °  
 + \_\_\_\_\_ °

Drive Shafts  Dogbones  Aluminum  
 CVDs  Steel

Rear Hub Spacing  Forward  
 Center  
 Rear

Outdrives  Steel  
 Plastic

Sway Bar  No  
 Yes size \_\_\_\_\_

### Wing Position

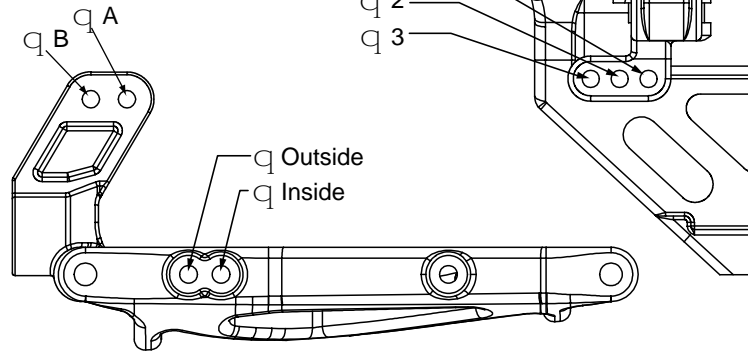
Forward  
 Back

### Wing Mount

Top  
 Bottom

4  
 3  
 2  
 1

1  
 2  
 3



### Rear Shocks

Oil: \_\_\_\_\_

Piston: \_\_\_\_\_  Standard /  Drilled

Spring: \_\_\_\_\_

Limiters:  Inside- \_\_\_\_\_  Outside- \_\_\_\_\_

Tires  
Front: \_\_\_\_\_ Compound \_\_\_\_\_ Foam \_\_\_\_\_  
Rear: \_\_\_\_\_ Compound \_\_\_\_\_ Foam \_\_\_\_\_

Motor: \_\_\_\_\_ Pinion/Spur: \_\_\_\_ / \_\_\_\_  
Battery Position: \_\_\_\_\_

Notes: \_\_\_\_\_