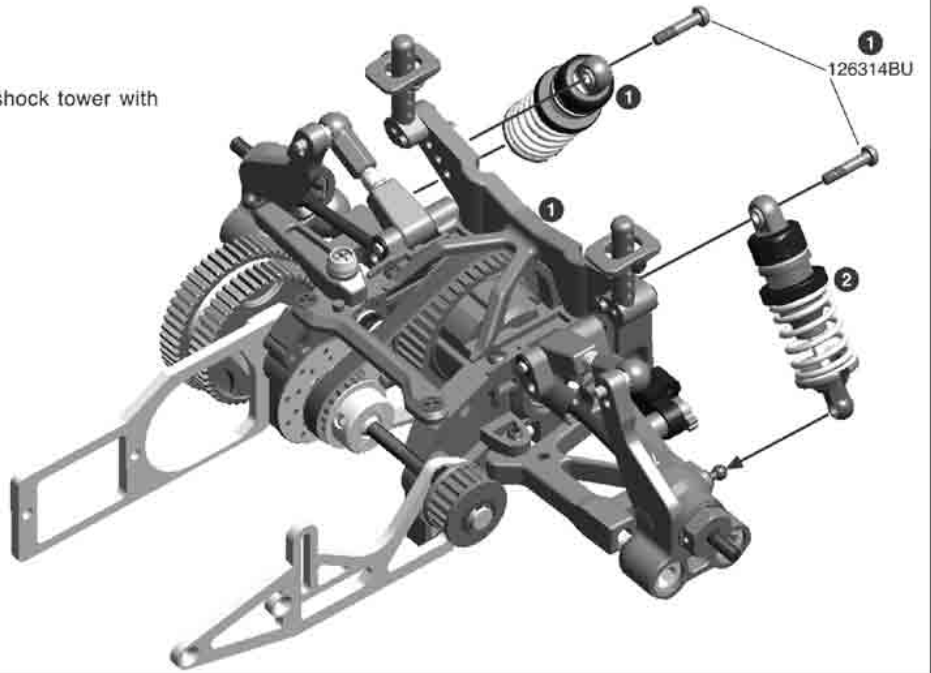


STEP 7

Rear Shock Installation

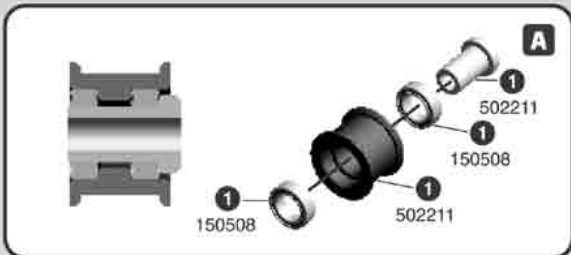
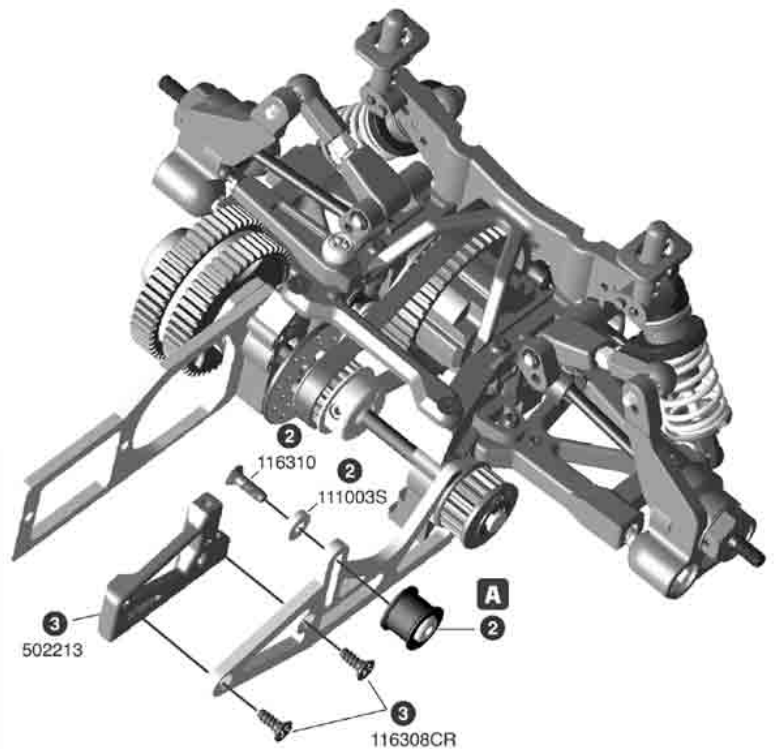
- 1 Fasten the shock caps into the lower hole of the shock tower with 126314BU 3x14mm BH screws.
- 2 Snap the shock ball cup into place.



STEP 8

Belt Tensioner Assembly

- 1 Install a #150508 5x8mm bearing on both side of the #502211 belt tensioner roller. Slide the roller assembly onto the post.
- 2 Please attach the belt tensioner to the left side alum. plate with a #111003S 3mm washer & a #116310 3x10mm FH screw.
- 3 Attach the #502213 left radio plate support to the left side alum. plate with two #116308CR 3x8mm cross FH TP screws.



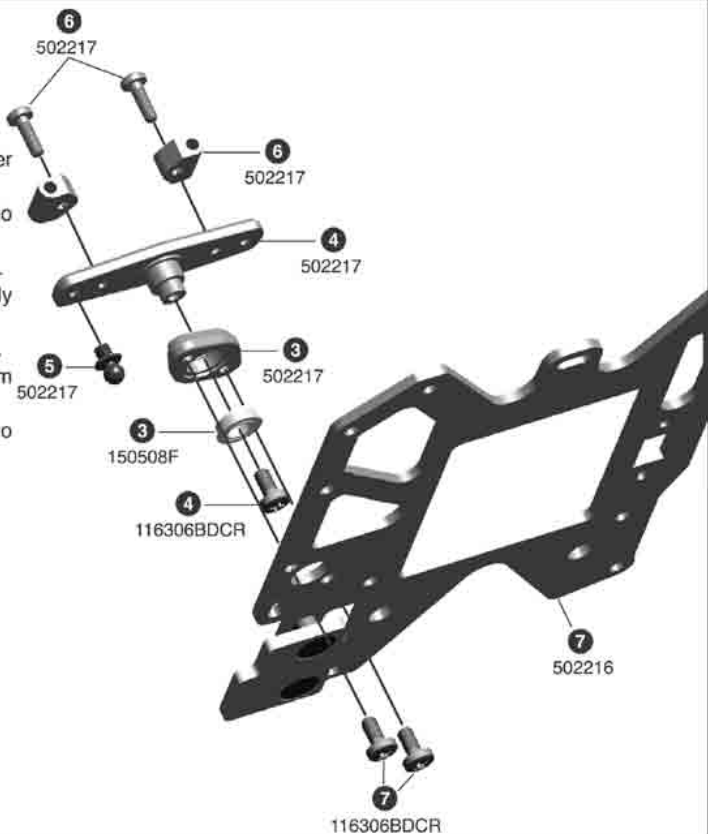
BAG K

 1:1 150508F, qty 1 5x8mm Flanged Bearing JS	 1:1 116306BDCR, qty 5 3x6mm Cross BDH TP Screw KS	 1:1 502217, qty 2 Throttle Pivot KS	 1:1 502217, qty 2 Short 4mm Ball Stud KS	 1:1 502217, qty 1 2.6x8mm Cross RH Screw KS	 1:1 502174, qty 1 P5 O-ring KS	 1:1 116312RCR, qty 1 3x12mm Cross RH TP Screw FS	 1:1 116308RCR, qty 5 3x8mm Cross RH TP Screw KS	 1:1 115016BK, qty 1 Antenna Cap KS	 1:1 115002, qty 2 Ball Cup (for 3mm rod) KS
 502221, qty 1 Servo Arm (Futaba) KS	 116132, qty 1 3x20mm Adjustable Rod FS	 115016BK, qty 1 Antenna Rod KS	 502220, qty 1 Double Side Tape KS	 502219, qty 1 Steering Servo Mount KS	 502217, qty 1 Throttle Linkage Arm KS	 502217, qty 1 Throttle Linkage Mount KS	 502222, qty 2 Servo Spacer 2.4mm KS	 502222, qty 2 Servo Spacer 1.2mm KS	 K1408, qty 1 G4 Carbon Radio Plate KS
 502223, qty 1 Servo Arm (Ko, Sanwa & JR) KS	 502220, qty 1 Receiver Battery Mount KS	 502219, qty 1 Servo & Transponder Mount KS	 502213, qty 1 Right Radio Plate Support KS	 502174, qty 1 Handle KS	 502220, qty 1 Rubber Fastener KS	 K1408, qty 1 G4 Carbon Radio Plate KS			

STEP 1

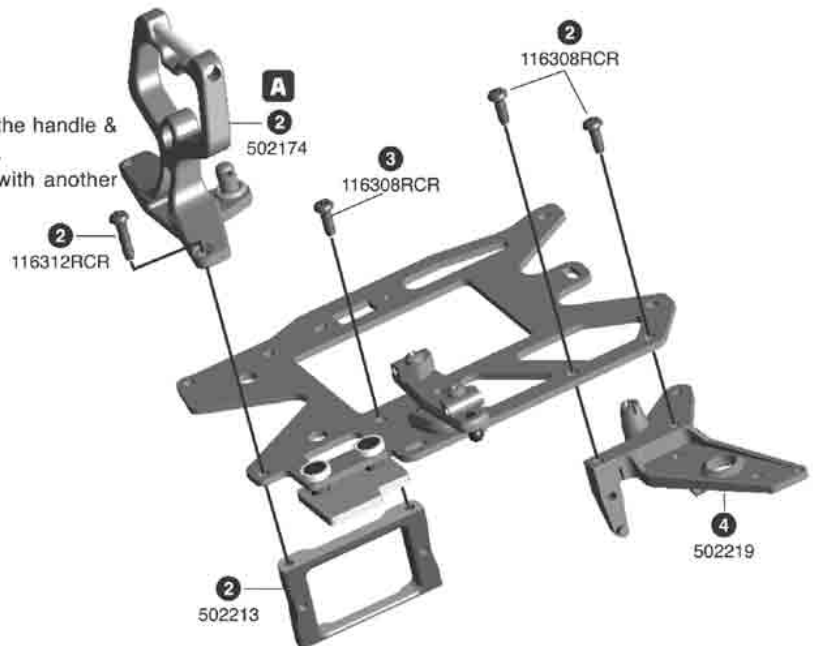
Throttle Linkage Set Assembly READ K FACTORY K1408 MANUAL FIRST!!

- 1 Please slide the two o-rings through the small receiver holder carbon plate & over the two alum. posts.
- 2 Please attach the carbon receiver holder assembly to the #K1408 carbon radio plate with the two included screws.
- 3 Slide a #150508F 5x8mm flanged bearing into #502217 throttle linkage mount.
- 4 Attach the #502217 throttle linkage arm to the throttle linkage mount assembly with a #116306BDCR 3x6mm cross BDH TP screw.
- 5 Thread a #502217 short ball cup to the outside hole of the throttle linkage arm.
- 6 Attach #502217 throttle pivots to the throttle linkage horn with #502217 2.6x8mm cross RH screws.
- 7 Attach the whole throttle linkage to the #K1408 carbon radio plate with two #116306BDCR 3x6mm cross BDH screws.



STEP 2

- 1 Install a #502174 P5 O-ring over the #502174 handle.
- 2 Slide a #116312RCR 3x12mm cross RH TP screw over the handle & radio plate to tighten the #502213 right radio plate support.
- 3 Attach the right radio plate support to the radio plate with another #116308RCR 3x8mm cross RH TP screw.
- 4 Attach the #502219 transponder mount to the radio plate with two #116308RCR 3x8mm cross RH TP screws.

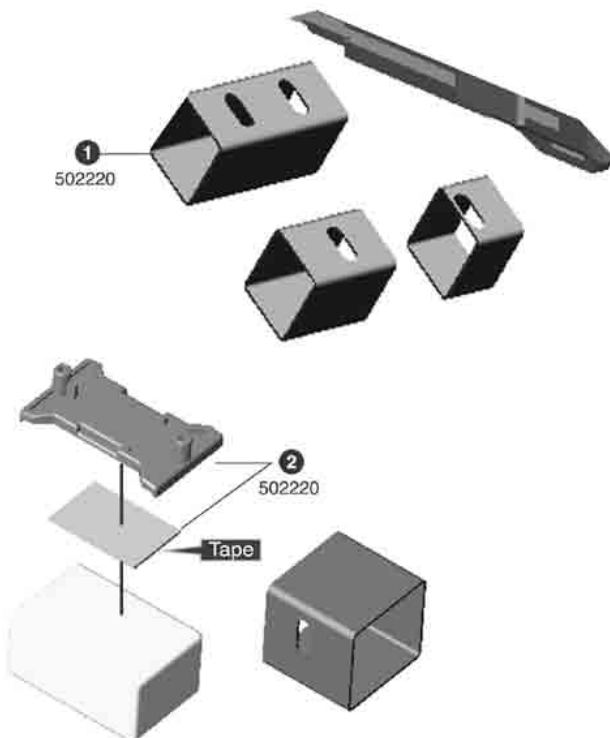


STEP 3

Receiver Pack Assembly

RECEIVER BATTERY IS NOT INCLUDED. SMALL AAA SIZE RECEIVER BATTERY PACK SHOULD BE USED. SUGGESTED ITEMS: 114019-- 6v-650mah NI-MH Rectangle Receiver Pack

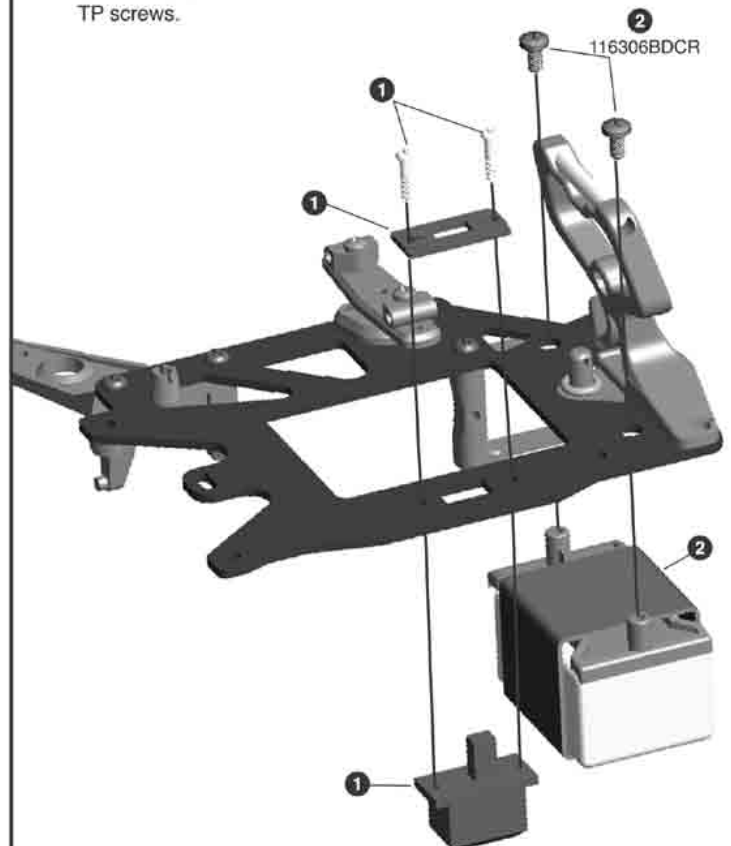
- 1 Cut the #502220 rubber fastener to a suitable size in order to hold the receiver battery assembly.
- 2 Cut a piece of suitable size #502220 double side tape. Attach the tape to both receiver battery pack & #502220 receiver battery mount. Then, fasten the whole receiver battery assembly with the rubber fastener.



STEP 4

Receiver Battery Installation

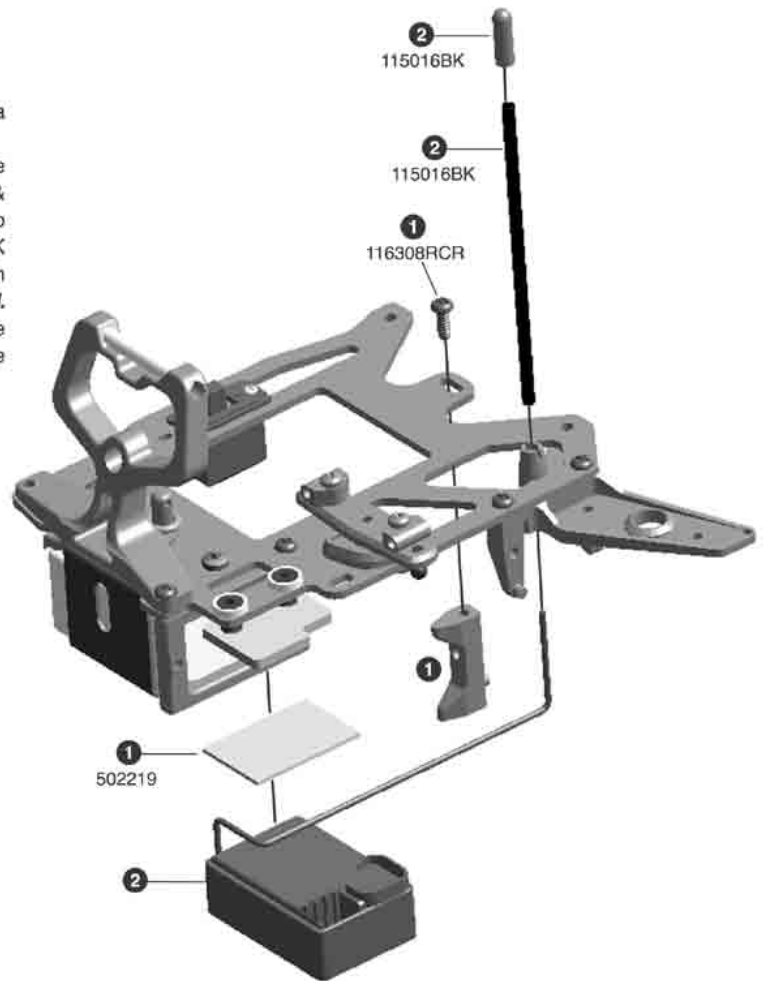
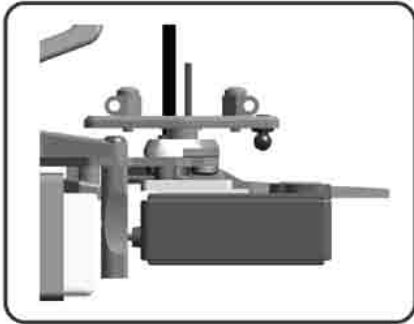
- 1 Attach the switch to the radio tray with the stock switch.
- 2 Attach the receiver battery mount assembly to the radio plate with two #116306BDCR 3x6mm cross BDH TP screws.



STEP 5

Steering Servo Assembly

- 1 Attach the #502219 steering servo mount to the radio plate with a #116308RCR 3x8mm cross RH TP screw.
- 2 **READ K FACTORY K1408 MANUAL.** Attach the receiver to the radio plate receiver holder. Take your antenna wire (receiver) & push it through the built in antenna mount on the #502219 servo mount & transponder mount. Slide the wire through #115016BK antenna rod & push the rod firmly into the mount. Cap the end with the black rubber cap. **PLEASE ARRANGE THE WIRE AS SHOWN.**
- 3 When attach the receiver to the holder, please take care that the receiver should be flush with holder edge. Otherwise, it will be difficult to slide in the alum. side plate.



STEP 6

Steering Servo Installation

- 1 Twist #115002 ball cups (for 3mm rod) onto the #116132 3x20mm adjustable rod until you get the dimension shown.
- 2 Find the appropriate thick or thin #502222 servo spacer for your servo. **THE STEERING LINKAGE ROD SHOULD BE PARALLEL TO THE SLIDING STEERING RAIL WHEN CONNECTING TO THE SERVO SAVER.** Attach the spacer if any, in between the #502219 servo mount & steering servo with the #116308RCR 3x8mm cross RH TP screws.
- 3 Find the appropriate #502221 or #502223 servo arm for your steering servo. Install the #502217 short 4mm ball stud into the outer hole of the servo arm. Fasten the servo arm down with the stock mounting screw that came with your servo.
- 4 Snap one end of the ball cup onto the servo arm.

