


TRACK CONDITIONS

Date: _____ Driver: _____
 Event: _____ Car: _____
 Track: _____ Weight: _____ g


Surface: _____ Smooth _____ Med. _____ Bumpy
 Size: _____ Open _____ Med. _____ Tight
 Traction: _____ High _____ Med. _____ Low
 Track Temp / Air Temp: _____ ° / _____ °
 Note: _____

FRONT SUSPENSION

Front Droop
_____ mm

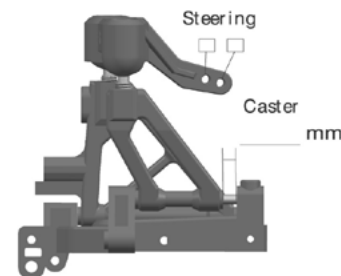


Toe Angle
+ _____ ° - _____ °

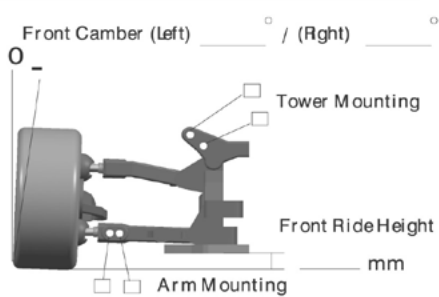


Anti-Roll Bar: _____ °
 Diff. Fluid: _____ wt
 One-Way: _____

Steering
Caster
_____ mm



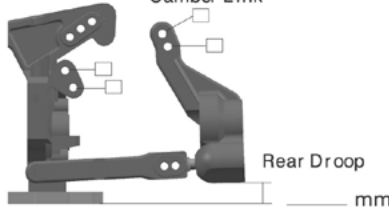
Front Camber (Left) _____ ° / (Right) _____ °



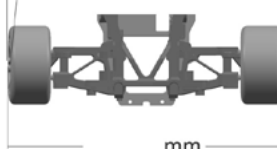
Tower Mounting
 Front Ride Height
_____ mm
 Arm Mounting

REAR SUSPENSION

Camber Link
Rear Droop
_____ mm

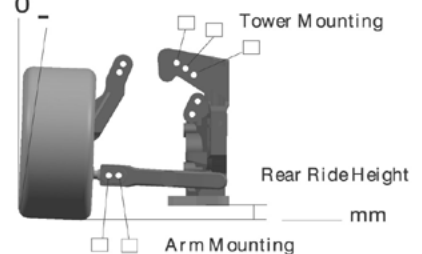


Toe Angle
0 _____ ° - _____ °



Anti-Roll Bar: _____ °
 Diff. Fluid: _____ wt
 Solid Axle: _____

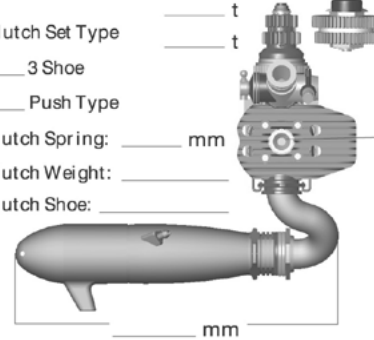
Rear Camber (Left) _____ ° / (Right) _____ °



Tower Mounting
 Rear Ride Height
_____ mm
 Arm Mounting


ENGINE

Clutch Set Type _____ t _____ t
 _____ 3 Shoe
 _____ Push Type
 Clutch Spring: _____ mm
 Clutch Weight: _____
 Clutch Shoe: _____



Engine: _____
 Plug: _____
 Fuel: _____
 Manifold: _____
 Pipe: _____
 Notes: _____

Front Rear
 Oil: _____ / _____ wt
 Piston: _____ / _____



Spring
 Front Rear
 _____ / _____ mm

Front Tire: _____
 Shore: Left _____ ° / Right _____ °

Rear Tire: _____
 Shore: Left _____ ° / Right _____ °

Diameter (Start) Left _____ / Right _____ mm
 Diameter (Finish) Left _____ / Right _____ mm

COMMENTS

Lap / Race Time: _____
 Best Lap Time: _____
 Position: _____
 Notes: _____



Body: _____
 Radio: _____
 ST. Servo: _____
 TH. Servo: _____



Team Magic G4 Parts List

102622-3	3mm F.H. Screw & Washer (4)	502103	G4 2 Speed Shoe Spring & Screw (2)
111003	3mm Alum. F.H. Washer (6)	502104	G4 2 Speed 2nd Spur Gear 46T
111007F	3mm Flat Locknut (10)	502105	G4 2 Speed 2nd Spur Gear 47T
111007ST	3mm Steel Locknut (10)	502106	G4 2 Speed 2nd Spur Gear 48T
111040	4mm Alum. Flanged Lock Nut (4)	502107	G4 2 Speed 1st Spur Gear 50T
111041	3mm Alum. Cap Washer (6)	502108	G4 2 Speed 1st Spur Gear 51T
111050	Pipe Holder (3mm)	502109	G4 2 Speed 1st Spur Gear 52T
111118	R5 R-clip (10)	502110	G4 2 Speed Housing & Nut (w/bearing)
111120	R6 R-clip (10)	502111	G4 One Way Hub & Nut (w/bearing)
115001	Ball End & Flanged Steel Ball (6)	502115	G4 Diff Case (2), Diff Case Cover (1) & Gasket (2)
115002	4mm Ball Stud & Ball Cup (for 3mm rod)(6)	502116	G4 Diff Joint, P5 O-ring, 5x12mm Shim & 2x11mm Pin (2)
115016	Antenna Rod (2)	502117	G4 4x10mm Shim, Bevel Shaft & Bevel Gear Set (1 set)
115021	4.8mm Ball Stud & Ball Cup (for 4mm rod) (6)	502118	G4 Diff Case Gasket (4)
115022	4mm Ball Stud & Shock Ball Cup (6)	502120	G4 Nylon Front Pulley Set (w/screw)
115023	Throttle Ball Cup (4)	502122	G4 Nylon Rear Pulley Set (w/screw)
116042	Allen Wrench Set (1.5, 2.0, 2.5 & 5mm)	502124	#30000 Silicone Oil
116043	Cross Wrench (4, 5, 5.5 & 7mm)	502125	#600 Silicone Oil
116132	3x20mm Adjustable Rod (2)	502127	G4 Shock Cap Set (2)
116134-5	3x45mm Adjustable Rod (2)	502128	G4 Hard Coated Threaded Shock Body Set (2)
116201	2x11mm Pin (10)	502129	G4 P3 O-ring (4), Washer (4) & G-clip (4)
116202	E-clip 2.5 (10)	502130	G4 Shock Shaft & Piston Set (2)
116203	E-clip 5 (10)	502131	G4 Membrane (4)
116204	7x13x0.1mm (3), 7x13x0.3mm (2) & 7x13x0.5mm Shim (1)	502134	G4 Shock Spring Cup (4)
116205	Double Side Tape	502135	Shock Spring 1.2mm (2)
116206	2x10mm Pin (10)	502136	Shock Spring 1.3mm (2)
116207	Throttle/Brake Linkage Spring (4)	502137	Shock Spring 1.4mm (2)
116208	Throttle/Brake Linkage Rod (4)	502138	Shock Spring 1.5mm (2)
116209	3x4.8x0.1mm (5) & 3x4.8x0.3mm Shim (5)	502139	Shock Spring 1.6mm (2)
116211	Drive Shaft Cushion O-ring (8)	502140	Shock Spring 1.7mm (2)
116306BDCR	3x6mm Steel BDH TP Screw	502141	Shock Spring 1.8mm (2)
116308CR	3x8mm Steel FH TP Screw (cross) (6)	502142	Shock Spring 1.9mm (2)
116310RCR	3x10mm Steel RH TP Screw (cross) (6)	502143	Shock Spring Set (8 pairs)
116310CR	3x10mm Steel FH TP Screw (cross) (6)	502144	G4 Stock Shock Spring (2)
116312RCR	3x12mm Steel RH TP Screw (cross) (6)	502150	G4 Steering Block (L & R)
117001	Alum. Stopper (4)	502151	G4 9mm Low Friction Pivot Ball (2)
119001	Silicone Fuel Tube (60cm)	502152	G4 9mm Pivot Ball Nut (2)
126305S	3x5mm Set Screw (6)	502153	G4 Wheel Axle (2)
126306RCR	3x6mm Steel RH Screw (cross) (6)	502154	G4 Hex Wheel Adapter (4)
126308CR	3x8mm Steel FH Screw (cross) (6)	502155	G4 Rear Hub Carrier (L & R)
126310	3x10mm Steel F.H. Screw (6)	502160	G4 Front Lower Arm & Up/Down Stop Mount
126310C	3x10mm Cap Screw (6)	502161	G4 Front Upper Arm
126312C	3x12mm Cap Screw (6)	502162	G4 Sliding Steering Servo Saver Set
126314BU	3x14mm Button Head Screw (6)	502163	G4 Front Bulkhead
126320C	3x20mm Cap Screw (6)	502164	G4 Front Diff Mount
126408S	4x8mm Set Screw (6)	502165	G4 Sliding Steering Rail Mount & Screw
150508	5x8x2.5mm Bearing (2)	502170	G4 Sliding Steering Rail (2)
150508F	5x8mm Flanged Bearing (2)	502171	G4 Front Belt
150510	5x10x4mm Dust-Resistant Bearing (4)	502172	G4 Nylon Front Upper Stiffener Bracket
150511	5x11x4mm Dust-Resistant Bearing (4)	502173	G4 5th Body Post Set
150610	6x10x3mm Bearing (2)	502174	G4 Fuel Tank Supporter & Handle
150612	6x12x4mm Bearing (4)	502175	G4 Front Shock Tower
151015	10x15x4mm Bearing (4)	502176	G4 Drive Shaft (2)
151218	12x18x4mm Bearing (4)	502179	G4 Caster Clip Set
181603	3 Shoe Teflon Clutch Shoe (3)	502180	G4 Front Lower Arm Stiffener Brace
181607	3 Shoe Clutch Spring (3)	502183	G4 Front Body Post (2)
502001	1/10 G4 Gas Touring Car (C-class) (Dodge Stratus 2.1)	502184	G4 Front Lower Bumper
502002	1/10 G4 Gas Touring Car (C-class) (Acura RSX)	502185	G4 Front Upper Bumper
502051	1/10 G4 Gas Touring Car (E-class) (Dodge Stratus 2.1)	502186	G4 Bumper Foam Post Set (2)
502052	1/10 G4 Gas Touring Car (E-class) (Acura RSX)	502187	G4 3mm Chassis
502101	G4 2 Speed Shoe Cam & Posts	502188	G4 Foam Bumper
502102	G4 2 Speed Shoe (2)	502190	G4 Rear Shock Tower



Team Magic Model Industrial Co. Ltd.

Tel:886-4-23552606

Fax:886-4-23552946

E-Mail: service@teammagic.com.tw

Web Site: www.teammagic.com.tw