

Engine needle control arm 引擎油針伺服臂組立示意圖

AUCN

Assembling Illustration

**For using an engine temperature controller:
Please first remove the ratchet spring and
then install the needle control arm.**

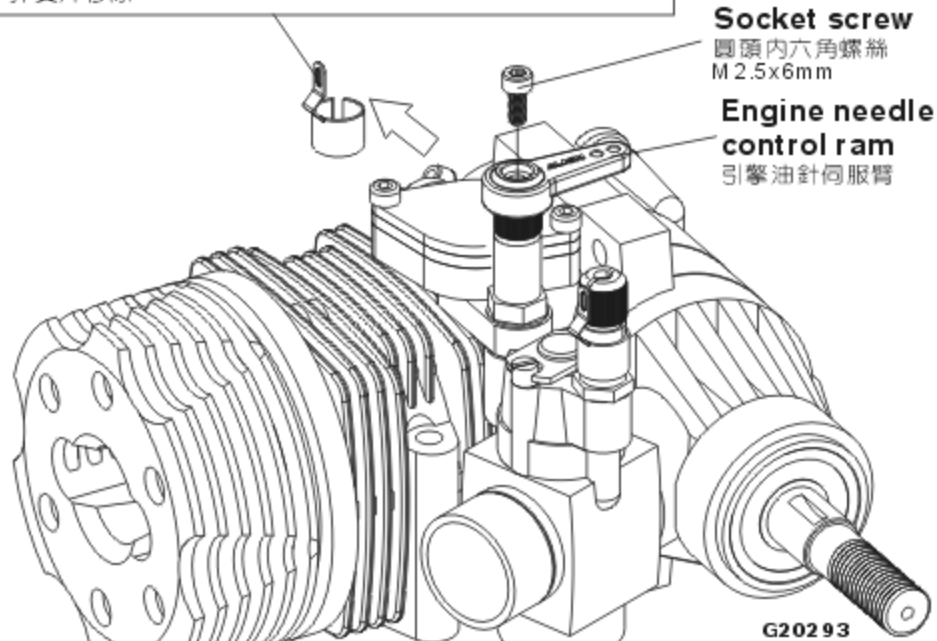
當搭配引擎溫度控制器時，組裝引擎油針伺服臂，請先將彈簧片移除。

Socket screw

圓頭內六角螺絲
M 2.5x6mm

**Engine needle
control ram**

引擎油針伺服臂



G20293