

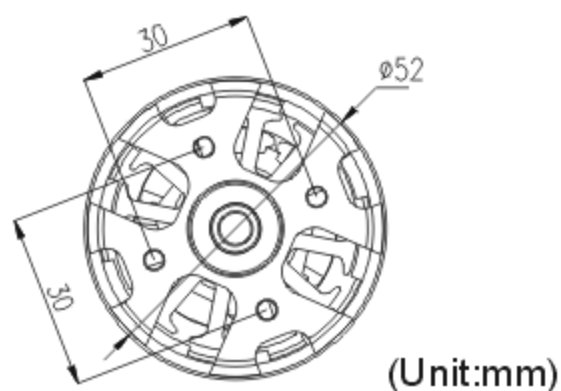
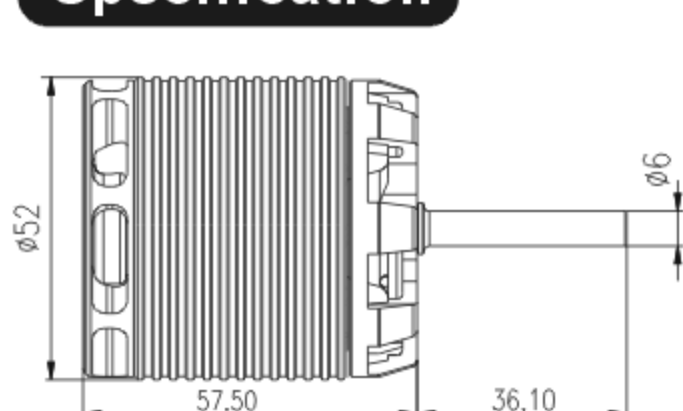
RCM-BL700MX Brushless Motor



This new Brushless motor developed by the ALIGN POWER R&D TEAM, is packed with the latest, cutting edge technology available today. It features exceptional levels of high-torque power. The 700MX utilizes an 12-pole outrunner stator-rotor and unrivaled Ndfb extra strong magnets that traditional magnets cannot compare to. Also included is a high temperature, wear-resisting, low friction, double ZZ high efficiency bearing. The 700MX will be the most revolutionary motor operating on low current amperage, and delivering high torque to RC models.

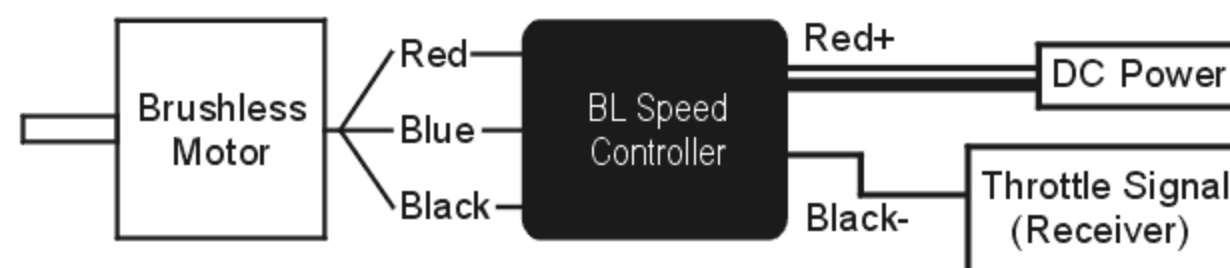
RCM-BL700MX Brushless Motor has passed various thorough inspections made by our technical department, including motive testing, static testing, magnetic field testing, heat resistance and magnetic loss testing, running balance and vibration testing, noise testing, and many hours of actual loading and flying testing, etc. Align is proud to provide the latest innovations in RC Modeling to its consumers. Please enjoy your Align products safely.

Specification



(Unit:mm)

Illustration



Exchange two wire for changing motor rotation direction.

KV	510KV(RPM/V)	Input voltage	DC 11.1~50.4V
Stator Arms	12	Magnet Poles	10
Max continuous current	90A	Max instantaneous current	150A(5sec)
Max continuous power	4000W	Max instantaneous power	6600W(5sec)
Dimension	Shaft 6x52x57.5mm	Weight	Approx. 405g

Features

- 1.The 700MX motor incorporates radial fan in its end bell, creating powerful airflow to dissipate heat. Tweaks to motor design and reduction in weight not only contributes to dramatic power increase, the high efficiency cooling system enables cooler operating temperature during and after flights when compared to motor of previous generation.
- 2.The 700MX motor armature had a special balance adjust to improve the serious shaking problem.
- 3.Maintenance free, high torque, high efficiency, stable and quiet.
- 4.High-speed ball bearings, powerful magnetic outrunner rotor.
- 5.Suitable for Trex 700E helicopters.

Constant Voltage Testing Reference

Battery: ALIGN Li-Poly 44.4V 5200mAh

Motor Pinion Gear	Main Rotor Blade	Pitch		Current(A) approx.	Throttle Curve	RPM approx.
		Hover	Idle			
12T	690 Carbon Fiber Blades	Hover	+5°	15	0/50/60/85/100%	1700~1800
		Idle	0°	19	85%Middle	2240
			0°	25	100/100/100/100/100%	2440 ⚠
			±12°	59		2250