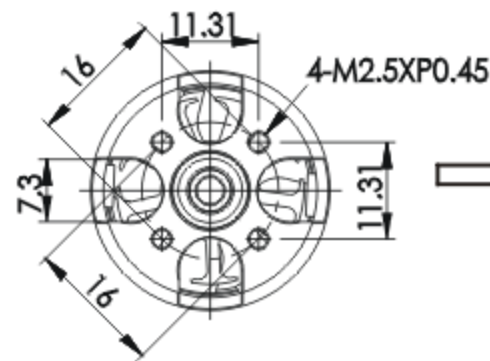
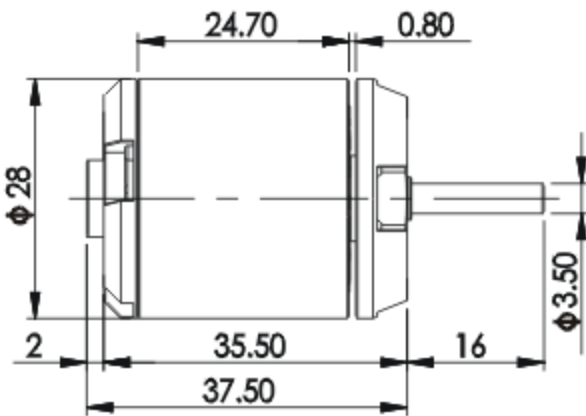




## RCM-BL450M Brushless Motor

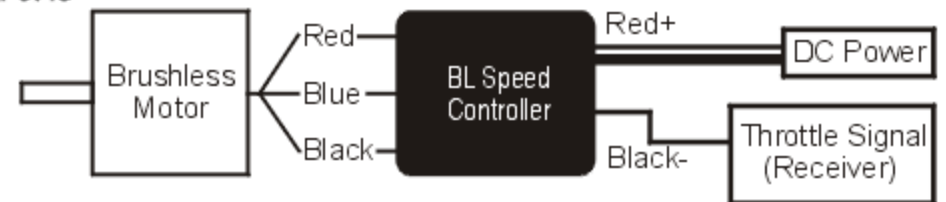
This new Brushless motor developed by the ALIGN POWER R&D TEAM, is packed with the latest, cutting edge technology available today. It features exceptional levels of high-torque power. The 450M utilizes an 6-pole outrunner stator-rotor and unrivaled Ndfcb extra strong magnets that traditional magnets cannot compare to. Also included is a high temperature, wear-resisting, low friction, double ZZ high efficiency bearing. The 450M will be the most revolutionary motor operating on low current amperage, and delivering high torque to RC models.

### Specification



(Unit:mm)

### Illustration



Exchange two wire for changing motor rotation direction.

Model	Input voltage	Dimension	Weight	KV	Max. Output Current
RCM-BL450M	DC7.4~14.8V	Shaft 3.5x28x37.5mm	Approx.76	3500KV	Approx.400W

### Features

- 1.Powerful magnetic outrunner rotor, Japanese made high-speed ball bearings.
- 2.The armature of this motor had a special balance adjust to improve the serious shaking problem that other tiny motors have.
- 3.Maintenance free, high torque, high efficiency, low temperature variant, stable and quiet.

Rotor is constructed with very powerful Ndfcb Magnets. The stator is coiled by our NC auto winding machine, formed and protected with high strength resin for heat resistance and low vibration. The spindle is designed with Hardened Stainless Steel and a double ZZ high speed bearing. Additionally, 450 brushless AC motor is custom developed by ALIGN R&D technology specifically for RC model use. These motors provide long lasting, high efficiency, impact-resistance, low magnetic loss.

These new product have passed various thorough inspections made by our technical department, including motive testing, static testing, magnetic field testing, heat resistance and magnetic loss testing, running balance and vibration testing, noise testing, and many hours of actual loading and flying testing, etc. Align is proud to provide the latest innovations in RC Modeling to its consumers. Please enjoy your Align products safely.

### CONSTANT VOLTAGE TESTING REFERENCE

According to battery characteristic, the current, RPM, thrust are calculated about 90% when actually using lithium battery for a test.

Motor Gear	Main Rotor Blade	PITCH		Current(A) (approx.)	Throttle Curve	RPM (approx.)
14T	325 Carbon Fiber Blades 3K	Hover	+5°	10.2	0/50/65/85/100%	2650
			0°	13.5		3660
		Idle 2	±9°	26.0	100/100/100/100/100%	3280
			±11°	30.0		3180

Battery: ALIGN Li-Poly 11.1V 2150mAh