



*<http://www.cenracing.com>*

**CENCHAIN CO., LTD.**

No.16, LANE 105, CHENG FU RD,  
SANHSIA, TAIPEI HSIEN TAIWAN, R.O.C  
TEL: 886-2-26681881  
FAX: 886-2-26681899  
E-mail: cen.tw@msa.hinet.net

**CEN/GTC**

1800 E. Miraloma Ave., #F,  
Placentia, CA 92870 USA  
TEL: 1-714-792-1923  
FAX: 1-714-792-1968  
E-mail: sales@cenracing.com

**Antenna**

Pull antenna to full length before operating.

**Power Switch**

Use to turn transmitter on

**LED Power Indicator**

**(A) Battery conditions**

**Green** Batteries are in good condition (12-8.5V)

**Yellow** Batteries are in acceptable condition (8.4-8.0V)

**Red** Batteries are very low (7.9-7.0V)

\* LED will flash red every three seconds. Batteries then need to be replaced (alkaline) or recharge (Ni-cads) before operating radio again.

\* After replaced the new batteries, turn off the radio then turn back on to regain normal operation.

**(B) Auto Cut-off Power Saving System**

Power will automatically turn off when radio has not been used for longer than 5 minutes.

\* After auto-cut off, please turn off the radio, then turn back on to regain normal operation.

**Steering Wheel**

Use to steer the vehicle left and right

**Steering Trim Adjustment**

Adjusts steering trim from left to right

**Steering Dual Rate Adjustment**

Adjusts the amount of steering model has

**Throttle Trim Adjustment**

Adjusts throttles neutral point

**Steering Servo Reverse Switch**

Use to reverse direction of steering servo

**Throttle servo Reverse Switch**

Use to reverse direction of throttle servo

**Auxiliary Servo Reversing Switch (3ch)**

Use to reverse the direction of 3<sup>rd</sup> channel servo

**TX (Transmitter) Crystal Holder/Plug**

Used to replace or change transmitter crystal

**Throttle Trigger Adjustment**

Two neutral positions can be adjusted the trigger  
5-5 Models that have reverse  
7-3 Models that have no reverse with brakes

**Throttle Trigger**

Use to accelerate and brake.

**Forward/Reverse**

Shifts switch for forward and reverse (3<sup>rd</sup> channel)

**Rechargeable Battery charging jack**

Only use when Ni-cad or NiMH batteries are installed in transmitter.

**Battery Cover**

Push down and slide battery cover open and install eight (8) Ni-Cad or alkaline AA size batteries



## **G82130 CEN Racing Safeguard**

### **SafeGuard Installation Instructions**

Step1: Plug the throttle servo into the SafeGuard.

Step2: Make sure the leads plugged into the SafeGuard are in the same exact order as the leads exiting the unit.

Step3: Mount the SafeGaurd onto the chassis with double sided. Make sure you can still easily access the adjustment pot from the stop you mount the unit.

### **Set-up and Adjusting**

\* Make sure your using fresh batteries when setting-up the SafeGaurd.

Step1: Turn the model on leaving your transmitter turned off. The L.E.D should now be flashing which indicated the unit is controlling the servo.

Step2: Using a small screw driver turn the adjust pot to set the position of the servo when the single is lost. We recommend you set it to apply the brakes when single is lost.

Step3: Turn the transmitter on, the servos should all move to there normal neutral positions.

### **Testing the SafeGuard's Operation**

To test the set-up of the unit turn on both the transmitter and the receiver on the model. Turn the transmitter off and watch the throttle servo. It will move to the position that you had set earlier. The L.E.D. will flash when controlling the servo.

\* The LED will flashing when the SafeGuard is activated.

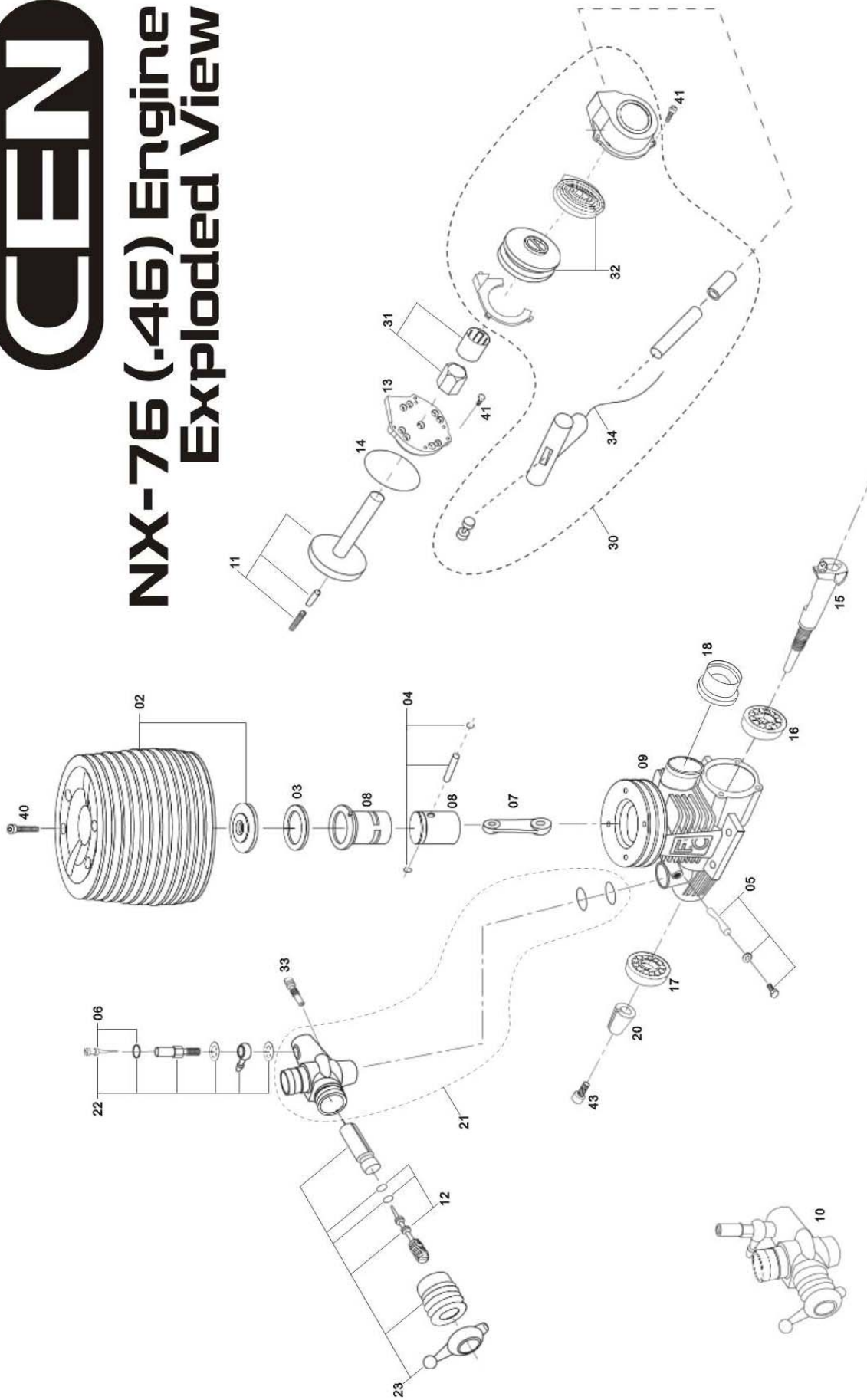
\* The SafeGuard will take control if the receiver battery voltage drops below 3.6V. And the SafeGuard will re-set automatically when battery voltage is above 4.3V.







# NX-76 (.46) Engine Exploded View



G70357-02 Cylinder Head	G70357-07 Connecting Rod	G70357-12 Slow Needle	G70357-17 Front Ball Bearing	G70357-23 Carburetor Slow Needle Set	G70357-34 Starter Rope
G70357-03 Cylinder Head Gasket	G70357-08 Piston and Cylinder	G70357-13 Rear Cover	G70357-18 Exhaust Seal Ring	G70357-30 Recoll/Assembling	G70357-40 Cylinder Head Screw
G70357-04 Piston pin	G70357-09 Crank Case	G70357-14 Rear Cover Gasket	G70357-20 Drive Parts	G70357-31 Oneway Hub	G70357-41 Rear Cover Screw
G70357-05 Lock Nut for Carb.	G70357-10 Carburetor	G70357-15 Crank Shaft	G70357-21 Carburetor Main Case	G70357-32 Recoll Spring	G70349-43 Screw 3x8 cap
G70357-06 Main Needle	G70357-11 Oneway Start Shaft	G70357-16 Rear Ball Bearing	G70357-22 Carburetor Main Needle Set	G70357-33 Throttle Stop Screw	

# SPARE PARTS

<i>Number</i>	<i>Name</i>	<i>Number</i>	<i>Name</i>
GS001	Differential Case	GS066	Internal Clutch Hub
GS002	Differential Bevel Gear	GS067	Turnbuckles M8x36
GS003	Clutch Shoes	GS068	2-Speed Clutch Shoe Set
GS004	Driving Bevel Gear(9T)	GS069	Shift Lever Set
GS005	Drived Bevel Gear(26T)	GS070	Alum. Manifold(NX-76)
GS006	Internal Trans. Spur Gear(46T)	GS071	Alum. Engine Mount
GS007	Gear Box	GS072	Turnbuckles M4x78
GS008	Flywheel	GS073	Turnbuckles M8x90
GS009	E-ring Pin	GS074	Ball End B7.8
GS010	Wheel Hub	GS075	Differential Gasket
GS011	Side Plate	GS076	Throttle Linkage Set
GS012	Flanged Bushing #3	GS077	Brake Pads
GS013	Lock Block	GS078	Brake Shoes
GS014	Steering Plastic Parts	GS079	2-Speed Clutch Bell
GS015	Shock Shaft	GS080	Alum. 4-piece Tunned Pipe
GS016	Ball B7.8	GS081	Roll-over Bar
GS017	Ball B6.8	GS082	Plastic Parts Set
GS018	Shock Springs	GS083	Rear Toe-in Brace
GS019	Steering Metal Parts	GS084	Over-head Shock Parts Set
GS020	Flanged Bushing #4	GS085	Forward Gear
GS021	Wheel-adaptor	GS086	Reverse Gear
GS022	NX-76 Air Filter	GS087	Steel Spur Gear (43T)
GS023	Alum. Arm Brace	GS088	Steel Spur Gear (39T)
GS024	Silicon Exhaust Coupler	GS089	Pinion Gear(17T)
GS025	Threades Hinge Pins 4x56	GS090	Pinion Gear(21T)
GS026	Threades Hinge Pins 4x73	GS091	Universal Swing Shaft(pair)
GS027	Threades Hinge Pins 3x44	GS092	Dogbone
GS028	Wheel Axles	GS093	Drive Cup
GS029	Differential Drive Cup	GS094	Brake Drive Cup
GS030	Brake Disk	GS101	Genesis Body
GS031	Shock Plastic Parts	G73914	Ball Bearing 8x16x5
GS032	Muffler Mount	G73915	Ball Bearing 10x19x7
GS033	Suspension Arms	G73916	Ball Bearing 6x13x5
GS034	Chrome Wheel Set (pair)	G73917	Ball Bearing 6x10x3
GS035	Genesis Tires (pair)	G70357	Engine NX-76(7.6cc)
GS036	Fuel Tank(220cc)	G70358	Roto-Tech Starter Set
GS037	Side Frame(chassis)	G70359	Back Plate Gear Set
GS038	Radio Box	G70429	Glow Plug #3
GS039	Differential Brake Shaft	G73902	Bearing 5x10x4
GS040	Telescopic Shaft	G73905	Ball 5mm
GS041	Engine plate	GX61	Fuel Tube
GS042	Bumper Set (chrome)	GXS02	Post 33mm
GS043	Universal Joint Ball	CT032	Rod End 6.8
GS044	Shock Tower	FF068	Zip Ties(mid)
GS045	Body Post	FF069	Hook Pins #8
GS046	Adaptor Block	SP20	Ball Studs
GS047	One-way Gear Hub	SP23	Rod End 5.8
GS048	Bulkhead Brace	SP32	Antenna straw
GS050	Two-step Gear	SP50	Zip Ties (small)
GS051	Internal Clutch Gear(31T)	SP51	Hook Pins #6
GS052	Internal One-way Gear(34T)	G82113	Receiver Switch
GS053	Idle Gear Set	G82114	Battery Pack
GS054	Shift Disc	G82120	3CH AM 27MHz Receiver
GS055	Gear Hub	G82121	3CH AM 27MHz Transmitter
GS056	Clutch Gear hub	G84122	High Torque 10kg-cm Servo (metal gear)
GS057	Transmission Gear Box	G84123	High Torque 10kg-cm Reverse Servo (metal gear)
GS059	Alum. Skit Plate	G84124	High Torque 5kg-cm Servo (metal gear)
GS060	Differential Case Cover	G82126	Metal Servo Gear Set
GS061	Main Shaft	G82130	Safeguard
GS062	Gear Shaft	GSS01	4WS Optional Kits (w/10kgs-cm reverse servo)
GS064	Brake Cam Shaft	GSS02	Genesis .46 Support Package(option)
GS065	Reservoir Shock"Small Parts"		





www.cenracing.com

Metal Gear, High Torque Servos (RTR Version)

Safeguard (RTR Version)

Sealed Receiver and Battery Compartments

220cc Fuel Tank

4 Piece Aluminum Tuned Pipe  
3 Speed Forward/ Reverse Transmission

"Dimension X" 10 Coilover System

Sealed Differentials

.46 Rear Exhaust Engine

7 1/2" Tires with Foam Inserts (Preglued)

Sealed Differentials

Extra Strong Alloy Drive Shafts

**S.O.H.P.**  
**.46 Rear Exhaust Engine**



THE SMART SOLUTION

# G82125

## 3 Channel Proportional Radio Set



### Features

- Pistol grip 3 channel AM proportional radio
- Non-slip steering wheel
- Steering, Throttle and auxiliary servos reversing switches
- Steering and Throttle Servo(s) Trim adjustment
- Throttle Trigger Adjustment switch (5:5 & 7:3)
- Steering Dual rate Adjustment
- Ni-Cad battery charging Jack in Transmitter
- LED power indicator for battery condition
- Auto Cut-off Power Saving System for transmitter

### Specifications-

#### (1) Transmitter

Model	G82121
Output power	500 mW
Modulation	AM/PPM
Power Requirement	AA battery 8pcs.(DC 12V) (Ni-Cad or Alkaline)
Frequency	27MHz

#### (2) Receiver

Model	G82120
Modulation	AM
Power requirement	DC 4.8-6.0V (Ni-Cad or Alkaline)
Frequency	27MHz

#### (3) Servo

Model	G82122	G82124
	(metal gears)	(metal gears)
Output Torque	10kg.cm/4.8v	5kg.cm/4.8v
Operating Speed	0.18sec/60°	0.18sec/60°

