

MINI-Z RACER MR-02 Setting Data Sheet

VERSION 1.1



© 2004 KYOSHO-FDL

NAME	TRACK	RACE	DATE

1 REAR SHOCK

- STD
- OIL SHOCK

OIL # _____

● REAR SPRING

- RED - SOFT
- GREEN - NORMAL
- YELLOW - HARD

SPACER _____

3 TIE ROD

- STD - 0°
- No 2 - 1°
- No 4 - 1,5°
- No 6 - 2°

4 FRONT WHEELS

8,5mm NORMAL	9,5mm SEMI WIDE	9,5mm WIDE
N	SW	W
<input type="checkbox"/>	<input type="checkbox"/>	<input type="checkbox"/>

FLAT	NORMAL
F	N
<input type="checkbox"/>	<input type="checkbox"/>

HARDNESS

Soft 10°
20°
30°
40°
50°
60°
Hard

SHORE

8,5mm NORMAL	9,5mm SEMI WIDE	9,5mm WIDE
N	SW	W
<input type="checkbox"/>	<input type="checkbox"/>	<input type="checkbox"/>

● RADIAL TYRES

- YES
- NO

● WHEELS TYPE

7 DIFFERENTIAL

- STD
- BALL BEARING

● DIFFERENTIAL BALL

- STD
- CERAMIC

● DIFFERENTIAL SHAFT

- STD
- TITANIUM

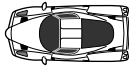
8 SUSPENSION PLATE

- STD
- CARBON

● TYPE

- SOFT
- NORMAL
- HARD

SPACER _____ MM



2 BODY / CHASSIS

BODY _____

● VERSION

- MM
- RM
- RML

● CHASSIS

- STD
- SKELETON
- GOLD

● BALL BEARING

- YES
- NO

● ANTENNA

- STD
- INNER

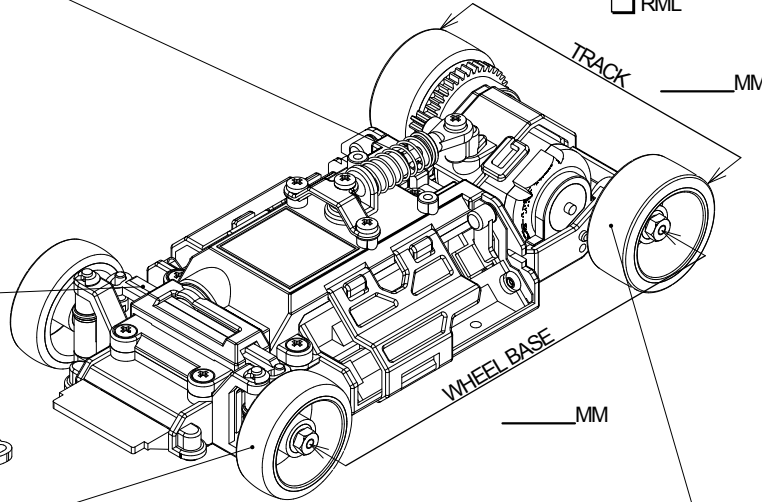
● SERVO GEAR

- STD
- DELRIN

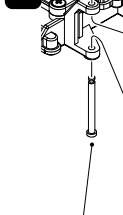
● BATTERY

- DRY
- BATTERY

TYPE _____



5 FRONT SUSPENSION



FRONT SPRING

- LOW
- MIDDLE
- HIGH

SPACER

_____ MM

SUSPENSION LIMITER

- No 4 - 2,0mm
- No 4,5 - 1,5mm
- No 5 - 2,5mm

KING PING

- STD
- STEEL

KNUCKLE ARM

- STD
- ALUMINUM

6 REAR WHEELS

8,5mm NORMAL	9,5mm SEMI WIDE	9,5mm WIDE
N	SW	W
<input type="checkbox"/>	<input type="checkbox"/>	<input type="checkbox"/>

FLAT	NORMAL
F	N
<input type="checkbox"/>	<input type="checkbox"/>

HARDNESS

Soft 10°
20°
30°
40°
50°
60°
Hard

SHORE

8,5mm NORMAL	9,5mm SEMI WIDE	9,5mm WIDE
N	SW	W
<input type="checkbox"/>	<input type="checkbox"/>	<input type="checkbox"/>

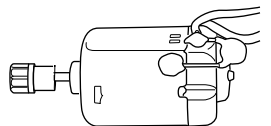
● RADIAL TYRES

- YES
- NO

● WHEELS TYPE

9 MOTOR

- STD
- OPTION



● MOTOR GEAR

- STD
- DELRIN
- 9T
- 8T
- 7T
- 6T

10 OTHERS OPTIONAL PARTS

11 TIPS

