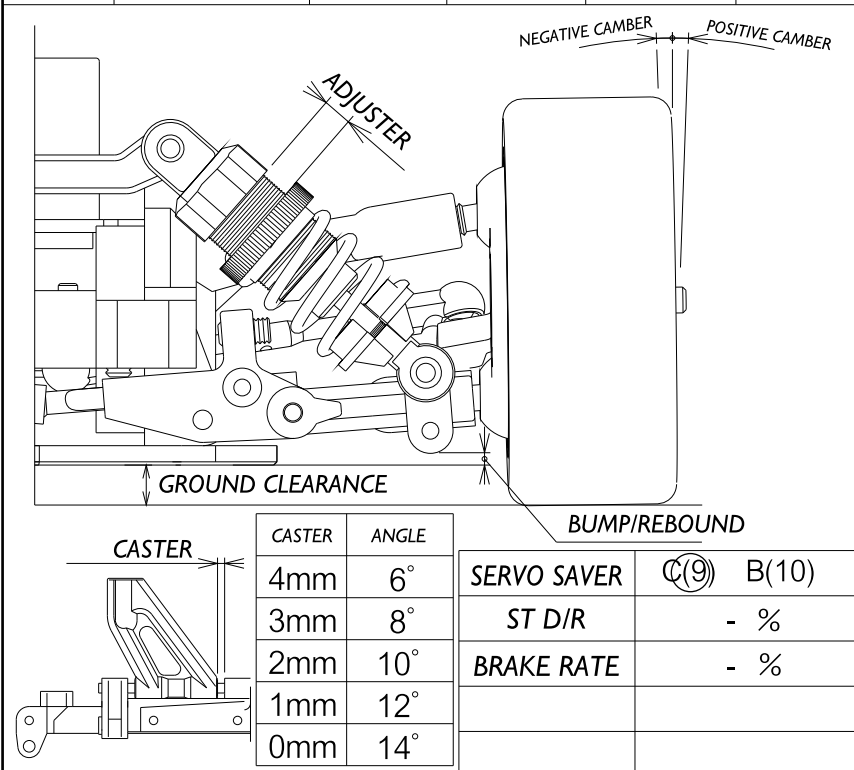
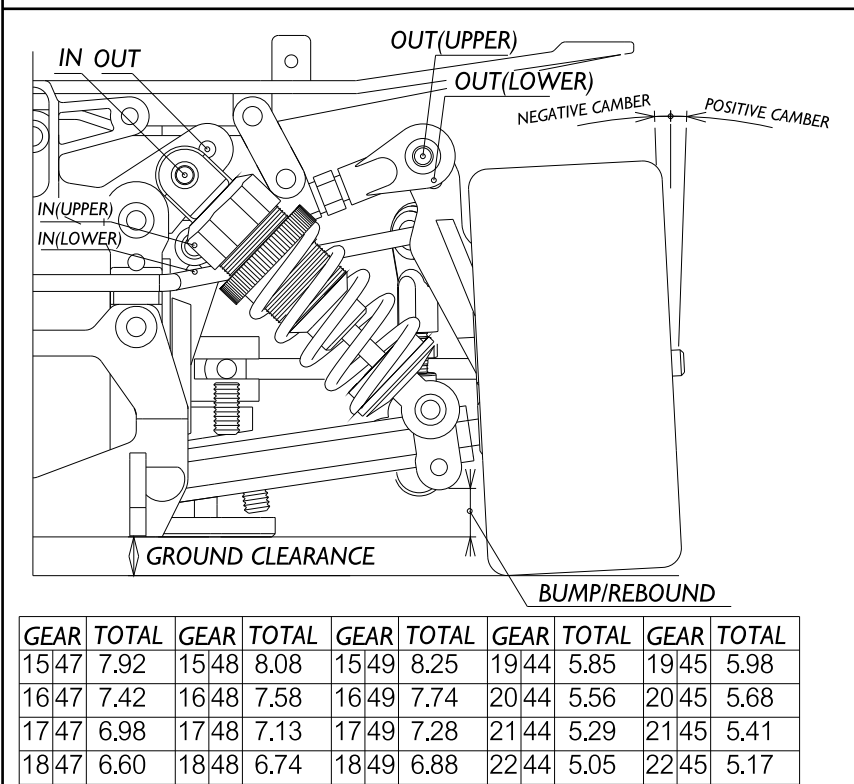


NAME	T.ITO	TEMP	°C	ENGINE	MT-12	MUFFLER	No.39067	MANIFOLD	No.39067
DATA	11-17-2002	HUMIDITY	%	HEAD CLEARANCE	mm	FUEL TYPE	Tornado 30%		
TRACK	HONG KONG	TRACTION	%	PLUG No.	f-7	RADIO	SANWA M-8		



SHOCK OIL	250 300 350 400 450 500 550 600 700
SHOCK PISTON	φ 1.0×2 (No.FM424)
SPRING	Light Blue (No.FMW12-418)
SPRING ADJUSTER	- mm
CASTER ANGLE	8°
CAMBER ANGLE	OG/1G 0 0.5 1.0 1.5 2.0
TOE ANGLE	OUT 1.5°
FRONT WIDTH	199mm
BUMP STROKE	-mm
REBOUND STOP	+1mm
STABILIZER BAR	☉ ☌ ● ☋ ☍
SERVO SAVER	C(9) B(10)
TYRE TYPE	GRP 37°
ST D/R	- %
TYRE SIZE	φ64mm ^{45min} → φ 60mm
BRAKE RATE	- %
GROUND CLEARANCE	4.0mm ^{45min} → 2.5mm
DIFF OIL	#30000



SHOCK OIL	250 300 350 400 450 500 550 600 700
SHOCK PISTON	φ 1.0×2 (No.FM424)
SPRING	GOLD (No.VZ073-3516)
SPRING ADJUSTER	-mm
SHOCK POS	(N) OUT
UPPER ARM POS	IN(U (L)) - OUT((U) / L)
CAMBER ANGLE	OG/1G 0 0.5 1.0 1.5 2.0 2.5 3.0
TOE ANGLE	IN 1.7°
REAR WIDTH	199mm
BUMP STOP	-mm
REBOUND STOP	+6.0mm
STABILIZER BAR	SILVER BLACK GOLD
DIFF OIL	#10000+LSD (No.VZW009)
TYRE TYPE	GRP 37°
TYRE SIZE	φ65mm ^{45min} → φ 60mm
GROUND CLEARANCE	4.5mm ^{45min} → 3.0mm

CLUCH SHOE	Grsy(FMW10)	SPRING	Hard (No.FMW16)
CLEARANCE	0.4mm	GEAR	15 (16) 17 18 / 19 (20) 21 22
ADJ. NUT	2.0mm	GEAR	47 (48) 49 / (44) 45

BODY	DODGE STRATOS
BODY POSITION	-
REAR SPOILER HEIGHT	-
Side Pulley	27T

MEMO: No.VZW015 SP Brake Disk, No.96986 Soft Brake Lining, No.VZW017 Body Mount Shaft, No.TSW1 7075 Hard Main Chassis
 No.TSW4 Aluminum Brake Disk Holder, No.695015 Power Universal, No.695016 Power Universal (Wide Tire), No.VZW002 Side Stiffener
 No.VZW027 Carbon Upper Plate, No.VZW024, No.VZW025, No.VZW026