



#3028 MIP 360° Stinger™ Kit for GTX ^{#341}

Follow Instructions carefully to install the MIP 360° Stinger™ onto your Losi GTX. This kit is made to work on the Image, OS, Dynamite, and Yokomo .12 gas engines, with or without pull starters. Please read instructions completely before starting your installation.

Step 1:

Remove the stock exhaust system and header from your GTX.

Step 2:

Use two 7/8" alloy screws and supplied gasket to secure 360 Header onto your .12 gas engine.

Step 3:

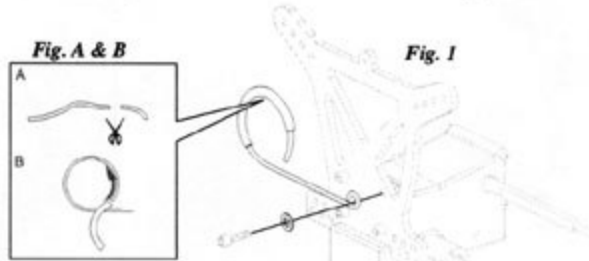
Use soapy water to lubricate the black header hose while stretching it over the end of the Stinger™.

Step 4:

Cut a 3" piece of fuel tubing (Fig. A) and slide over the MIP Stinger™ wire brace as a cushion (Fig. B). Now bolt the wire mount onto rear shock tower using supplied screw and washer (Fig. 1).

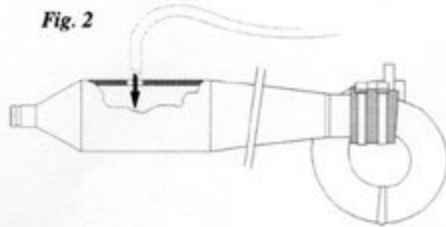
Step 5:

Slide Stinger™ through wire brace and onto 360 Header all the way forward until header hose just starts to cover the beginning curve of the 360 Header. Use the two supplied black high temp tie wraps to secure Stinger™ onto 360 Header (Fig. 2).

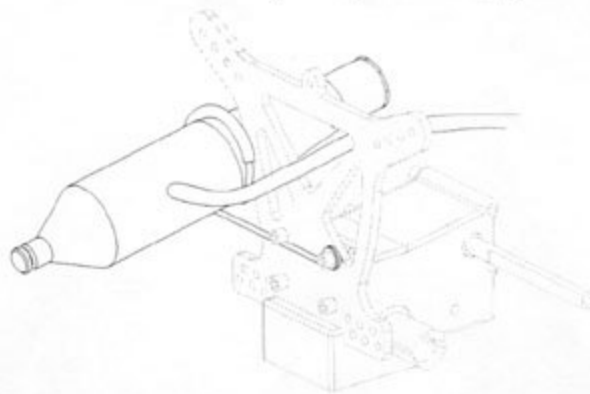


Step 6:

Use supplied MIP fuel Tubing for the pressure line. Connect fuel tubing to pressure fitting on the gas tank, and push the other end of the fuel tubing into the hole in the Stinger™ about 1/2 inch (Fig. 2).



Rear view of complete assembly.



Complete Parts List

Part#	Description	Price
3028	MIP 360 Stinger™ Kit for GTX	44.50
3023	Header Hose & Stinger™ Brace	9.95
3024	Stinger™ Pipe (anodized red)	16.95
3025	360 Header (anodized red)	24.95
3029	Fuel Tubing 2ft.	2.75

Moore's Ideal Products 830 W. Golden Grove Way, Covina CA U.S.A. 626-339-9008

[RETURN TO LIST OF INSTRUCTION SHEETS](#)