



#3061 MIP 360° Stinger™ Kit for NXT

#01-362

Follow Instructions carefully to install the MIP 360° Stinger™ onto your Losi NXT. This kit is made to work on most .12 and .15 gas powered engines, with or without pull starters. Please read instructions completely before starting your installation.

Step 1:

Remove the stock exhaust system and header from your NXT.

Step 2:

Remove stock rear shock tower and replace with the supplied MIP shock tower.

Step 3:

Use two 7/8" alloy screws and supplied gasket to secure 360 Header onto your .12 or .15 gas engine.

Step 4:

Use soapy water to lubricate the black header hose while stretching it over the end of the Stinger™.

Step 5:

Cut a 3" piece of fuel tubing (Fig. A) and slide over the MIP Stinger™ wire brace (Fig. B). Now bolt the wire mount onto rear shock tower using supplied screw and washer (Fig. 1).

Fig. A & B

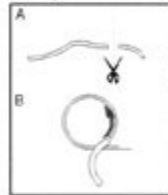
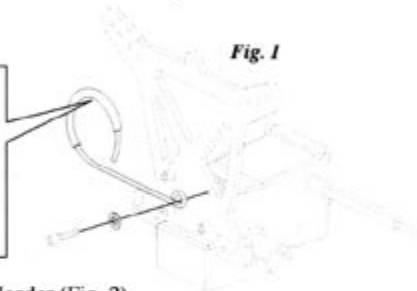


Fig. 1



Step 6:

Slide Stinger™ through wire brace and onto 360 Header all the way forward. The Stinger™ pipe should overlap the 360° Header.

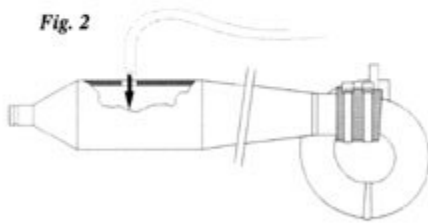
Step 7:

Use 2 MIP high temp tie wraps to secure the Stinger™ pipe onto the 360 Header (Fig. 2)

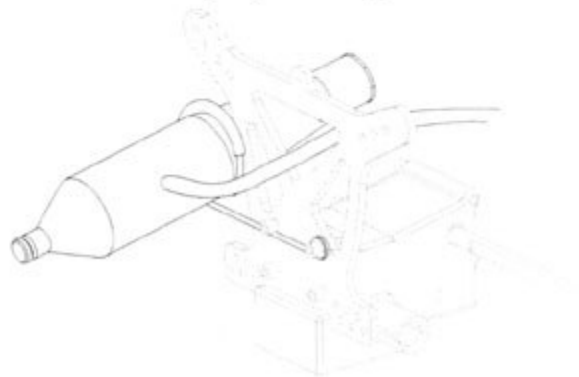
Step 8:

Use supplied MIP fuel Tubing for the pressure line. Connect fuel tubing to pressure fitting on the gas tank, and push the other end of the fuel tubing into the hole in the Stinger™ about 1/2 inch (Fig. 2).

Fig. 2



Rear view of complete assembly.



Complete Parts List

Part#	Description	Price
3061	MIP 360 Stinger Kit for NXT(red)	49.95
3023	Header Hose & Stinger™ Brace	9.95
3024	Stinger™ Pipe (anodized red)	16.95
3025	360 Header (anodized red)	24.95
3029	MIP High Quality Fuel Line(2ft.)	2.75

Moore's Ideal Products 830 W. Golden Grove Way, Covina, CA. 91722 U.S.A. 626-339-9008

[RETURN TO LIST OF INSTRUCTION SHEETS](#)