



# 1/10 SCALE 4WD GAS POWER RACING CAR K2-X

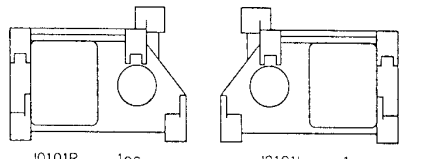
**J0002**  
  
 J0002

**J0003**  
  
 J0003

**J0101**

J0101R 1pc    J0101L 1pc

SM 3.5x12 10pcs



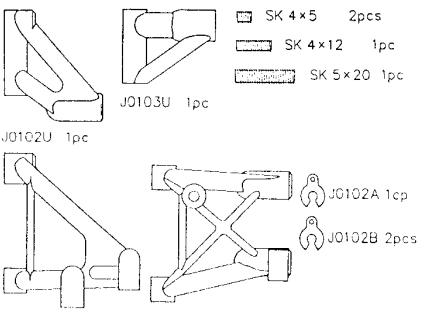
**J0102**

J0102U 1pc    J0103U 1pc

SK 4x5 2pcs  
 SK 4x12 1pc  
 SK 5x20 1pc

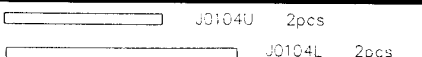
J0102L 1pc    J0103L 1pc

J0102A 1pc  
 J0102B 2pcs




**J0104**

J0104U 2pcs  
 J0104L 2pcs



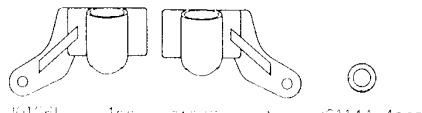
**J0105**

J0105U 2pcs  
 J0105L 2pcs



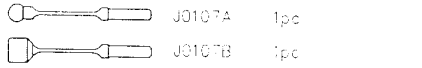
**J0106**

J0106L 1pc    J0106R 1pc    J0114A 4pcs



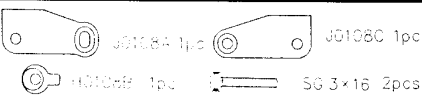
**J0107**

J0107A 1pc  
 J0107B 1pc



**J0108**

J0108A 1pc    J0108C 1pc  
 J0108B 1pc    SG 3x16 2pcs

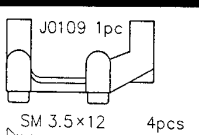


- J0002 K2-X AVANCE INSTRUCTION MANUAL
- J0003 AVANCE STICKER
- J0101 FRONT BULK HEAD
- J0102 SUS ARM SET
- J0104 FRONT SUS SHAFT
- J0105 REAR SUS SHAFT
- J0106 FRONT UPRIGHT
- J0107 FRONT STABILIZER BAR
- J0108 FRONT STABI. HOLDER

**J0109**


J0109 1pc

SM 3.5x12 4pcs



**J0110**

J0110 2pcs

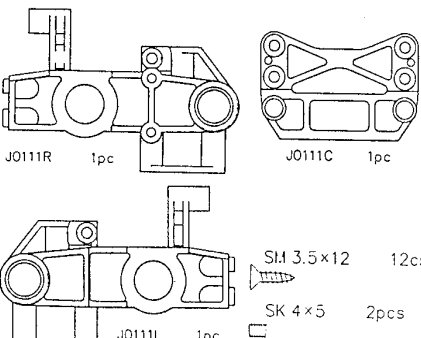


**J0111**

J0111R 1pc    J0111C 1pc

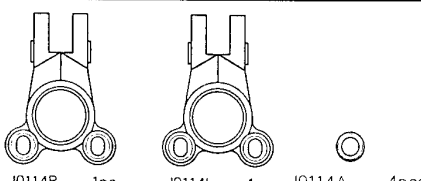
J0111L 1pc

SM 3.5x12 12cs  
 SK 4x5 2pcs



**J0114**

J0114R 1pc    J0114L 1pc    J0114A 4pcs

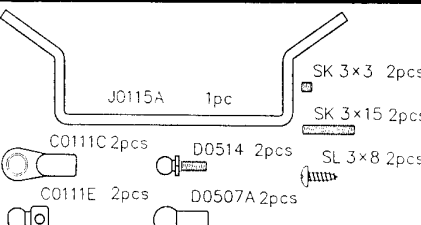


**J0115**

J0115A 1pc

SK 3x3 2pcs  
 SK 3x15 2pcs  
 SL 3x8 2pcs

C0111C 2pcs    D0514 2pcs  
 C0111E 2pcs    D0507A 2pcs



**J0116**

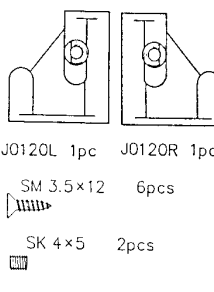
C0107 2pcs    SG 3x16 2pcs



**J0120**

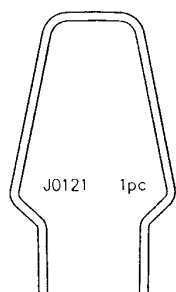
J0120L 1pc    J0120R 1pc

SM 3.5x12 6pcs  
 SK 4x5 2pcs



**J0121**

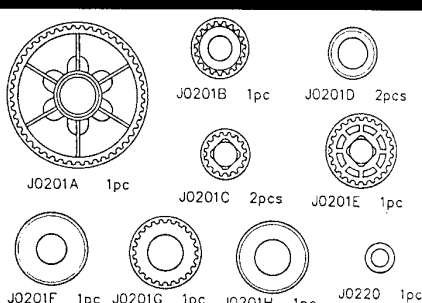
J0121 1pc



- J0109 MIDDLE SHAFT BRACKET
- J0110 ADJUSTING NUT (2 PCS)
- J0111 REAR BULK HEAD
- J0114 REAR UPRIGHT
- J0115 REAR STABILIZER
- J0116 PIVOT BALL
- J0120 MIDDLE BLOCK
- J0121 ROLL BAR


**J0201**

J0201A 1pc    J0201B 1pc    J0201D 2pcs  
 J0201C 2pcs    J0201E 1pc  
 J0201F 1pc    J0201G 1pc    J0201H 1pc    J0220 1pc




**J0202**

J0202 1pc



**J0203**


J0203 1pc



**J0204**

J0204(HF0612圧入済み) 1pc

CTW-50 2pcs



**J0207**

J0207 2pcs



**J0208**


J0208 2pcs



**J0209**

J0209 1pc


OE-5 1pc



**J0210**

J0210 1pc


OE-5 1pc



**J0212**

J0212 2pcs    J0224 2pcs


φ2.5x19.8 Pin 2pcs    SK 3x3 2pcs



**J0217**


J0217(13x6 B.B.圧入済み) 1pc

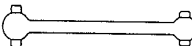
STW-20 1pc

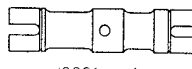

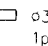


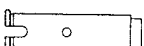
- J0201 PULLEY SET
- J0202 BELT S
- J0203 BELT L
- J0204 FRONT ONE-WAY DRIVE SHAFT
- J0207 FRONT HALF SHAFT
- J0208 FRONT AXLE SHAFT
- J0209 MIDDLE SHAFT
- J0210 2 SPEED SHAFT
- J0212 FRONT WHEEL CHANGING LEVER
- J0217 2ND. GEAR HOUSING



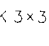

# AVANCE PARTS LIST/K2-X アヴァンス パーツリスト

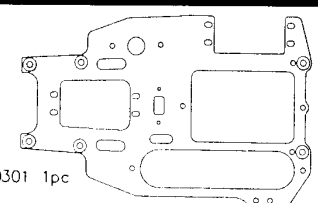
**J0218**  
 J0218 4pcs



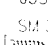
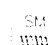
**J0219**  
 J0219 2pcs

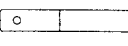
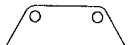
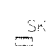
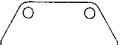
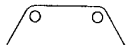
**J0221**  
 J0221 1pc  
 CTW-46 2pcs  
  $\phi 3.0 \times 19.8$  Pin 1pc





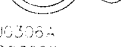

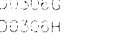
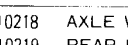

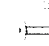
**J0222**  
 J0222 2pcs

**J0223**  
 J0223 2pcs  
  $\phi 2.5 \times 19.8$  Pin 2pcs  
 SK 3x3 2pcs  
 J0224 2pcs

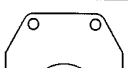
**J0301**  
 J0301 1pc

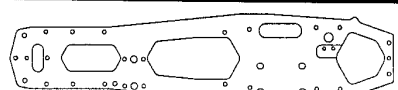
**J0303**  
 J0303A 1pc  
 J0303B 1pc  
 SM 3x12 2pcs  
 SM 3.5x12 2pcs

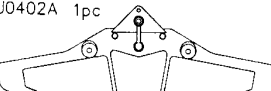
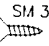
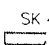
**J0304**  
 H0304 1pc  
  $\phi 3 \times 23.8$  Pin 2pcs  
 SK 3x5 1pc  
 D0304B 2pcs  
 J0307 2pcs

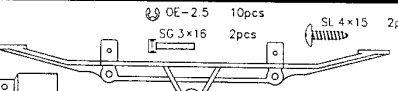
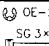

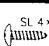
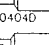
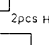
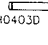
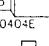
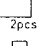
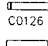

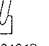


**J0306**  
 J0306A 1pc  
 D0306D 1pc  
 D0306E 1pc  
 D0306F 1pc  
 D0306B 1pc  
 D0306C 1pc  
 D0306E 1pc  
 D0306H 1pc  
 SG 3x8 1pc  
 S12.6x10 1pc

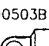
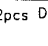
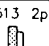
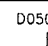
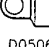
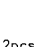

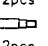

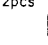
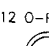
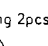



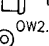
- J0218 AXLE WASHER
- J0219 REAR HALF SHAFT
- J0221 SOLID REAR AXLE
- J0222 REAR AXLE SHAFT
- J0223 REAR WHEEL CHANGING LEVER
- J0301 MECHA. PLATE
- J0303 BRAKE BRACKET
- J0304 BRAKE CAM & BRAKE PAD
- J0306 SERVO SAVER

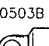
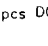
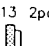
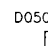



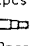

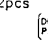
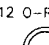
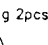


**J0307**  
 J0307 2pcs


**J0401**  
 J0401 1pc

**J0402**  
 J0402A 1pc  
 SM 3.5x12 4pcs  
 SK 4x12 1pc

**J0403**  
 J0403A 1pc  
 OE-2.5 10pcs  
 SG 3x16 2pcs  
 SL 4x15 2pcs  
 J0404D 2pcs  
 H0403D 2pcs  
 J0404A 1pc  
 J0404E 2pcs  
 C0126 2pcs  
 J0404F/R 1pc  
  $\phi 3 \times 16$  BPin 1pc  
 J0404B 2pcs  
 J0404C 1pc  
 J0404F/L 1pc


**J0501**  
 D0503B 2pcs  
 D0513 2pcs  
 D0508 2pcs  
 D0510F 2pcs  
 D0506 2pcs  
 D0503A 2pcs  
 D0507B 2pcs  
 D0507A 2pcs  
  $\phi 3 \times 16$  Pin 2pcs  
 J0511 2pcs  
 S12 O-Ring 2pcs  
 D0514 2pcs  
 SN2.6 2pcs  
 D0507C 2pcs  
 SG 3x16 2pcs  
  $\phi 2.6 \times 6 \times 0.5$  2pcs



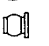
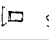

**J0502**  
 D0503B 2pcs  
 D0513 2pcs  
 D0508 2pcs  
 D0510R 2pcs  
 D0506 2pcs  
 D0503A 2pcs  
 D0507B 2pcs  
 D0507A 2pcs  
  $\phi 3 \times 16$  Pin 2pcs  
 J0512 2pcs  
 S12 O-Ring 2pcs  
 D0514 2pcs  
 SN2.6 2pcs  
  $\phi 2.6 \times 6 \times 0.5$  2pcs

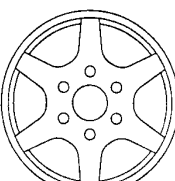
**J0511**  
 J0511 2pcs

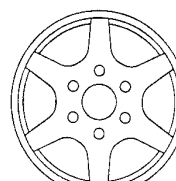
**J0512**  
 J0512 2pcs


- J0307 BRAKE PAD
- J0401 AVANCE CHASSIS
- J0402 AVANCE BUMPER
- J0403 REAR BODY MOUNT
- J0501 FRONT DAMPER
- J0502 REAR DAMPER
- J0511 FRONT SPRING
- J0512 REAR SPRING


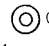

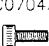
**J0601**  
 J0601 2pcs




**J0801**  
 C0111C 4pcs  
 J0801A 2pcs  
 C0502 4pcs  
 SJ 3x6 2pcs  
 SG 3x12 2pcs


**J1101**  
 J1101 2pcs


**J1102**  
 J1102 2pcs





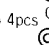
**C0603**  
 C0603 2pcs



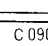
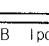
**C0704**  
 C0704A 1pc  
 OW 3x8x0.5 1pc  
 OW 5x10x1 2pcs  
 SG 3x8 1pc

**C0706**  
 C0706 1pc  
 C0702B 1pc  
 OW 7x14x0.5 4pcs

**C0707**  
 C0707 3pcs

**C0708**  
 C0708 3pcs

**C0710**  
 C0706A 1pc  
 C0702B 1pc  
 OW 7x14x0.5 4pcs  
 C0711 3pcs  
 C0708 3pcs

**C0901**  
 C0901A 1pc  
 SK 4x5 1pc  
 C0901B 1pc  
 SJA 4x10 1pc

- J0601 BEARINGS (10x19x5)
- J0801 STEERING LINKAGE
- J1101 FRONT WHEEL (WHITE)
- J1102 REAR WHEEL (WHITE)
- C0603 BEARINGS FOR CLUTCH BELL (5x10)
- C0704 ENGINE NUT (SG/SERPENT)
- C0706 FLYWHEEL FOR 3-PIN CLUTCH
- C0707 SHOE FOR 3-PIN CLUTCH
- C0708 SPRING FOR 3-PIN CLUTCH
- C0710 3-PIN CLUTCH SET
- C0901 MUFFLER STAY

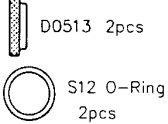
# 1/10 SCALE 4WD GAS POWER RACING CAR K2-X

<b>D0105R</b> D0105R 2pcs	<b>D0113</b> D0113 4pcs	<b>D0510</b>  D0510F 2pcs D0510R 2pcs	<b>D0514</b> D0514 4pcs	<b>D0806</b> D0806 1pc
<b>D0206</b> D0206 2pc	<b>D0211</b> D0211 1pc SK 4x5 1pc	<b>D0602</b> D0602 2pcs	<b>D0603</b> 5mm スラストベアリング 5mm THRUST B.B.	<b>D0807</b> D0807 8pcs
<b>D0213</b> D0213 1pc STW-17 1pc	<b>D0214</b> D0214 1pc 47T	<b>D0701</b> D0701A 2pcs D0701B 4pcs SG 3x12 4pcs SJA 4x10 4pcs OWS3 4pcs	<b>D0808</b> OE3 8pcs OE5 10pcs OE7 2pcs	<b>D0809</b> CTW-46 4pcs CTW-50 2pcs CTW-17 4pcs
<b>D0225</b> <b>OPT</b> D0225 1pc 48T	<b>D0226</b> <b>OPT</b> D0226 1pc 49T	<b>D0702</b> <b>OPT</b> D0702L 1pc D0702R 1pc	<b>D0809</b>	<b>D0811</b> SJA 3.5x12 20pcs
<b>D0302</b> D0302A 1pc D0302C 4pcs D0302D 6pcs SL 3x8 4pcs SL 3x14 4pcs D0302B 1pc	<b>D0703</b> D0703 parts C0706 1pc D0710 1pc C0707 3pcs C0708 3pcs C0702B 1pc SG 3x8 1pc OW3x8x0.5 1pc OW5x10x1 2pcs C0704A 1pc OW7x14x0.5 4pcs	<b>D0710</b> D0710 1pc	<b>D0811</b>	<b>D0902</b> D0902 1pc D0903 2pcs
<b>D0506</b> D0506 2pcs OW2.6x6x0.5 2pcs SN2.6 2pcs	<b>D0507</b> D0507A 4pcs D0507B 4pcs D0507D 1pc D0507C 2pcs D0514 4pcs SG3x16 4pcs	<b>D0710</b>	<b>D0711</b> D0711 1pc 16T	<b>H0205</b> H0205 1pc SK 4x5 1pc OE-7 1pc
<b>D0508</b> D0508 8pcs	<b>D0509</b> D0509A 8pcs P3 O-RING 8pcs C0509C 4pcs	<b>D0712</b> D0712 1pc 19T	<b>D0713</b> <b>OPT</b> D0713 1pc 17T	<b>H0215</b> H0215 1pc 43T
<b>D0508</b>	<b>D0509</b>	<b>D0714</b> <b>OPT</b> D0714 1pc 20T	<b>D0803</b> D0803 1pc	<b>H0216</b> H0216 1pc OE-7 1pc SK 4x5 1pc
<b>D0506</b>	<b>D0507</b>	<b>D0710</b>	<b>D0711</b>	<b>H0227</b> <b>OPT</b> H0227 1pc 44T
<b>D0508</b>	<b>D0509</b>	<b>D0712</b>	<b>D0713</b> <b>OPT</b>	<b>H0228</b> <b>OPT</b> H0228 1pc 45T
<b>D0508</b>	<b>D0509</b>	<b>D0714</b> <b>OPT</b>	<b>D0803</b>	<b>H0242</b> H0242A 1pc H0242B 1pc H0243 1pc H0244 1pc ø5xø8x2.5 2pc SK 3x3 1pc SK 4x 1pc OE-3 1pc SL 3x8 2pcs
<b>D0506</b>	<b>D0507</b>	<b>D0710</b>	<b>D0711</b>	<b>H0227</b> <b>OPT</b>
<b>D0508</b>	<b>D0509</b>	<b>D0712</b>	<b>D0713</b> <b>OPT</b>	<b>H0228</b> <b>OPT</b>
<b>D0508</b>	<b>D0509</b>	<b>D0714</b> <b>OPT</b>	<b>D0803</b>	<b>H0242</b>
<b>D0506</b>	<b>D0507</b>	<b>D0710</b>	<b>D0711</b>	<b>H0215</b>
<b>D0508</b>	<b>D0509</b>	<b>D0712</b>	<b>D0713</b> <b>OPT</b>	<b>H0216</b>
<b>D0508</b>	<b>D0509</b>	<b>D0714</b> <b>OPT</b>	<b>D0803</b>	<b>H0227</b> <b>OPT</b>
<b>D0506</b>	<b>D0507</b>	<b>D0710</b>	<b>D0711</b>	<b>H0228</b> <b>OPT</b>
<b>D0508</b>	<b>D0509</b>	<b>D0712</b>	<b>D0713</b> <b>OPT</b>	<b>H0242</b>
<b>D0508</b>	<b>D0509</b>	<b>D0714</b> <b>OPT</b>	<b>D0803</b>	<b>H0305</b>
<b>D0506</b>	<b>D0507</b>	<b>D0710</b>	<b>D0711</b>	<b>H0307</b> <b>OPT</b>
<b>D0508</b>	<b>D0509</b>	<b>D0712</b>	<b>D0713</b> <b>OPT</b>	<b>H0305</b>
<b>D0508</b>	<b>D0509</b>	<b>D0714</b> <b>OPT</b>	<b>D0803</b>	<b>H0307</b> <b>OPT</b>

- |                                |                            |                                |
|--------------------------------|----------------------------|--------------------------------|
| D0105R KING PIN (2 PCS.)       | D0510 DAMPER PISTON        | D0806 ANTENNA PIPE             |
| D0113 SUS BRACKET              | D0514 DAMPER PIVOT BALL    | D0807 BODY PIN                 |
| D0206 INNER DRIVE JOINT        | D0602 BEARINGS (6x13x5)    | D0808 E-RING SET               |
| D0211 GEAR CHANGING DRIVE DISK | D0603 5m/m THRUST BEARINGS | D0809 C-RING SET               |
| D0213 1 ST. GEAR HOUSING       | D0701 ENGINE MOUNT         | D0811 SJA 3.5m/m FLAT SCREW    |
| D0214 1 ST. GEAR 47T           | D0702 ALUMI. ENGINE MOUNT  | D0902 MANIFOLD                 |
| D0225 1 ST. GEAR 48T           | D0703 CLUTCH SET FOR K2-X  | H0205 1/8 PULLEY HUB           |
| D0226 1 ST. GEAR 49T           | D0710 CLUTCH BELL          | H0215 2 ND. GEAR 43T           |
| D0302 RADIO PARTS              | D0711 1 ST. GEAR 16T       | H0216 1/8 PULLEY/BRAKE ADAPTOR |
| D0506 REAR DAMPER SHAFT        | D0712 2 ND. GEAR 19T       | H0227 1/8 2 ND. GEAR 44T       |
| D0507 DAMPER PLASTIC PARTS     | D0713 1 ST. GEAR 17T       | H0228 1/8 2 ND. GEAR 45T       |
| D0508 DIAPHRAGM                | D0714 2 ND. GEAR 20T       | H0242 1/8 BELT TENSIONER       |
| D0509 O-RING SET               | D0803 FUEL TANK            | H0305 1/8 BRAKE DISK           |
|                                |                            | H0307 1/8 TEFLON BRAKE PAD     |


# AVANCE PARTS LIST/K2-X アヴァンス パーツリスト

**H0513**



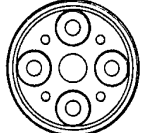
D0513 2pcs  
S12 O-Ring 2pcs

**H0601**



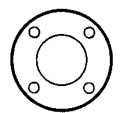
H0601 2pcs

**H0720** OPT



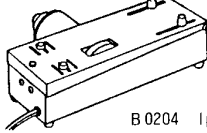
H0720 1pc

**H0721** OPT



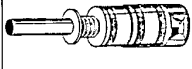
H0721 1pc

**B0204** OPT



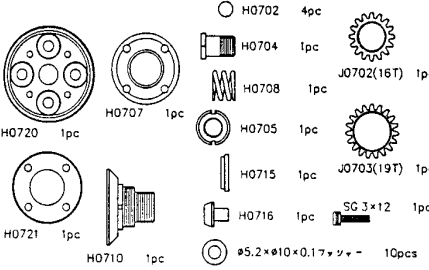
B0204 1pc

**B0207** OPT



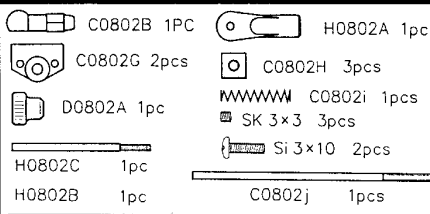
B0207 1pc

**J0701** OPT



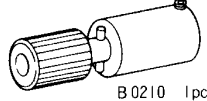
H0702 4pc  
H0704 1pc  
H0708 1pc  
H0705 1pc  
H0715 1pc  
H0716 1pc  
SG 3x12 1pc  
φ5.2xφ10x0.17ッシャー 10pcs  
J0702(16T) 1pc  
J0703(19T) 1pc

**H0802**



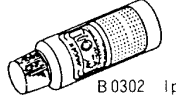
C0802B 1PC  
C0802G 2pcs  
D0802A 1pc  
H0802C 1pc  
H0802B 1pc  
H0802A 1pc  
C0802H 3pcs  
C0802i 1pcs  
SK 3x3 3pcs  
Si 3x10 2pcs  
C0802j 1pcs

**B0210** OPT




B0210 1pc

**B0302** OPT




B0302 1pc

**B0305** OPT




B0305 1pc

**B0306** OPT



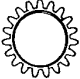
B0306 1pc

**J0702** OPT




J0702 1pc  
16T

**J0703** OPT



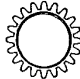
J0703 1pc  
19T

**J0704** OPT



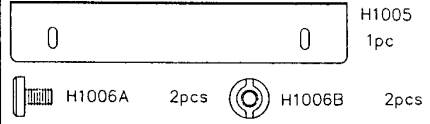
J0704 1pc  
17T

**J0705** OPT




J0705 1pc  
20T

**H1004** OPT



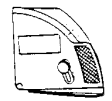
H1005 1pc  
H1006A 2pcs  
H1006B 2pcs

**B0509** OPT



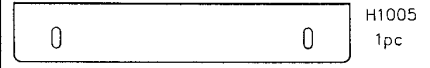
B0509 1pc

**B0510** OPT



B0510 1pc

**H1005** OPT



H1005 1pc

**H1006** OPT



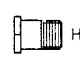
H1006A 2pcs  
H1006B 2pcs

**H0702** OPT



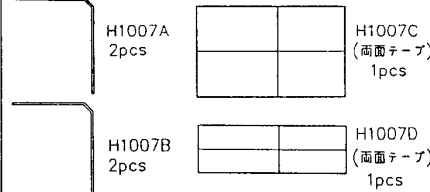
H0702 4pc

**H0704** OPT



H0704 1pc

**H1007** OPT



H1007A 2pcs  
H1007B 2pcs  
H1007C (両面テープ) 1pcs  
H1007D (両面テープ) 1pcs

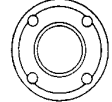
- B0202 NEW STARTER RING  
B0203 QUICK BOOSTER  
B0204 PRO STARTER ON ROAD  
B0207 POCKET BOOSTER  
B0208 DC ADAPTOR FOR POCKET BOOSTER  
B0210 AVANCE FOR TIRE TRUER  
B0301 LOCKFIRM LIQUID  
B0302 AIR FILTER OIL  
B0303 ENGINE MAINTENANCE OIL  
B0305 TIRE-GLUE  
B0306 RAD-REZ  
B0310 SUPER SILICONE # 100  
B0311 SUPER SILICONE # 150  
B0312 SUPER SILICONE # 200  
B0313 SUPER SILICONE # 250  
B0314 SUPER SILICONE # 300  
B0315 SUPER SILICONE # 350  
B0316 SUPER SILICONE # 400  
B0325 SUPER SILICONE # 500  
B0326 SUPER SILICONE # 600  
B0327 SUPER SILICONE # 700  
B0328 SUPER SILICONE # 800  
B0401 SWITCH COVER  
B0407 FLAT WASHER 3m/m  
B0408 FLAT WASHER 4m/m  
B0410 COLOR SILICONE PIPE (PINK)  
B0411 COLOR SILICONE PIPE (GREEN)  
B0412 COLOR SILICONE PIPE (YELLOW)  
B0415 MUFFLER JOINT SILICONE PIPE S  
B0416 COLOR STRAP SET 100mm  
B0417 COLOR STRAP SET 150mm  
B0418 EXHAUST GASKET SET (FOR 15)  
B0502 WORKS WRENCH 1.5m/m  
B0503 WORKS WRENCH 2.0m/m  
B0504 WORKS WRENCH 2.5m/m  
B0506 SNAP RING PLIERS  
B0507 CORDLESS SCREW DRIVER  
B0508 UTILITY WRENCH  
B0509 SETTING DRIVER FOR ENGINE  
B0510 CAMBER GAUGE  
D1001 C-CAR TYPE  
D1008 MAZDA 747  
D1009 LORA VDS

**H0705** OPT



H0705 1pc

**H0707** OPT




H0707 1pc

**H0708** OPT



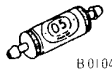
H0708 1pc

**H0710** OPT



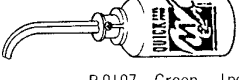
H0710 1pc

**B0104** OPT



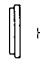
B0104 x1

**B0107 B0108 B0109**




B0107 Green 1pc  
B0108 Pink 1pc  
B0109 Yellow 1pc

**H0715** OPT



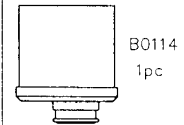
H0715 1pc

**H0716** OPT



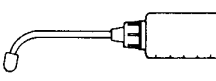
H0716 1pc  
SG 3x12 1pc  
φ5.2xφ10x0.17ッシャー 10pcs

**B0114** OPT



B0114 1pc

**B0120** OPT



B0120 1pc

- H0513 SPRING ADJUSTER  
H0601 BEARINGS (12x18)  
J0701 AUTOMATIC CLUTCH SET FOR K2-X  
J0702 1 ST. GEAR 16T  
J0703 2 ND. GEAR 19T  
J0704 1 ST. GEAR 17T  
J0705 2 ND. GEAR 20T  
H0702 CLUTCH BALLS  
H0704 ENGINE NUT  
H0705 ADJ. NUT  
H0707 CLUTCH SHOE  
H0708 CLUTCH SPRING  
H0710 CLUTCH BELL  
H0715 SPRING CUP

- H0716 STOPPER COLLAR  
H0720 FLYWHEEL  
H0721 PRESSURE PLATE  
H0802 1/8 ENCON LINKAGE  
H1004 REAR SPOILER SET  
H1005 REAR SPOILER  
H1006 REAR SPOILER ADJ. SCREW  
H1007 BODY STIFFENER  
B0104 NEW FUEL FILTER S  
B0107 QUICK FUEL PUMP (GREEN)  
B0108 QUICK FUEL PUMP (PINK)  
B0109 QUICK FUEL PUMP (YELLOW)  
B0114 AIR FILTER (15 ON ROAD)  
B0120 FUEL PUMP SMALL



MUGEN SEIKI CO., LTD.

株式会社 無限精機  
〒274 千葉県船橋市高根町1395 PHONE:0474-30-1663  
表示価格には消費税は含まれていません