

SERPENT

710

1:10 SCALE 200mm 4WD GAS ON-ROAD



Reference Guide



SERPENT 710

Introduction

Parts List and Exploded Views

The parts list and exploded views for the Serpent 710 are separate from the Instruction Manual. The exploded views show all the parts for a particular assembly step, together with the Serpent part number. The parts list at the back of this booklet give the name of the part. Along with all the Serpent 710 parts used in this car kit, the part list also contains a list of all option parts for the Serpent 710, as well as a listing of general items such as fasteners and promotional items.

Serpent regularly updates the Serpent 710 parts list and makes it available 'Downloads' section of the 710 product page on myTSN. The Serpent 710 product page can be accessed directly at the following address:

www.myTSN.com/Serpent710

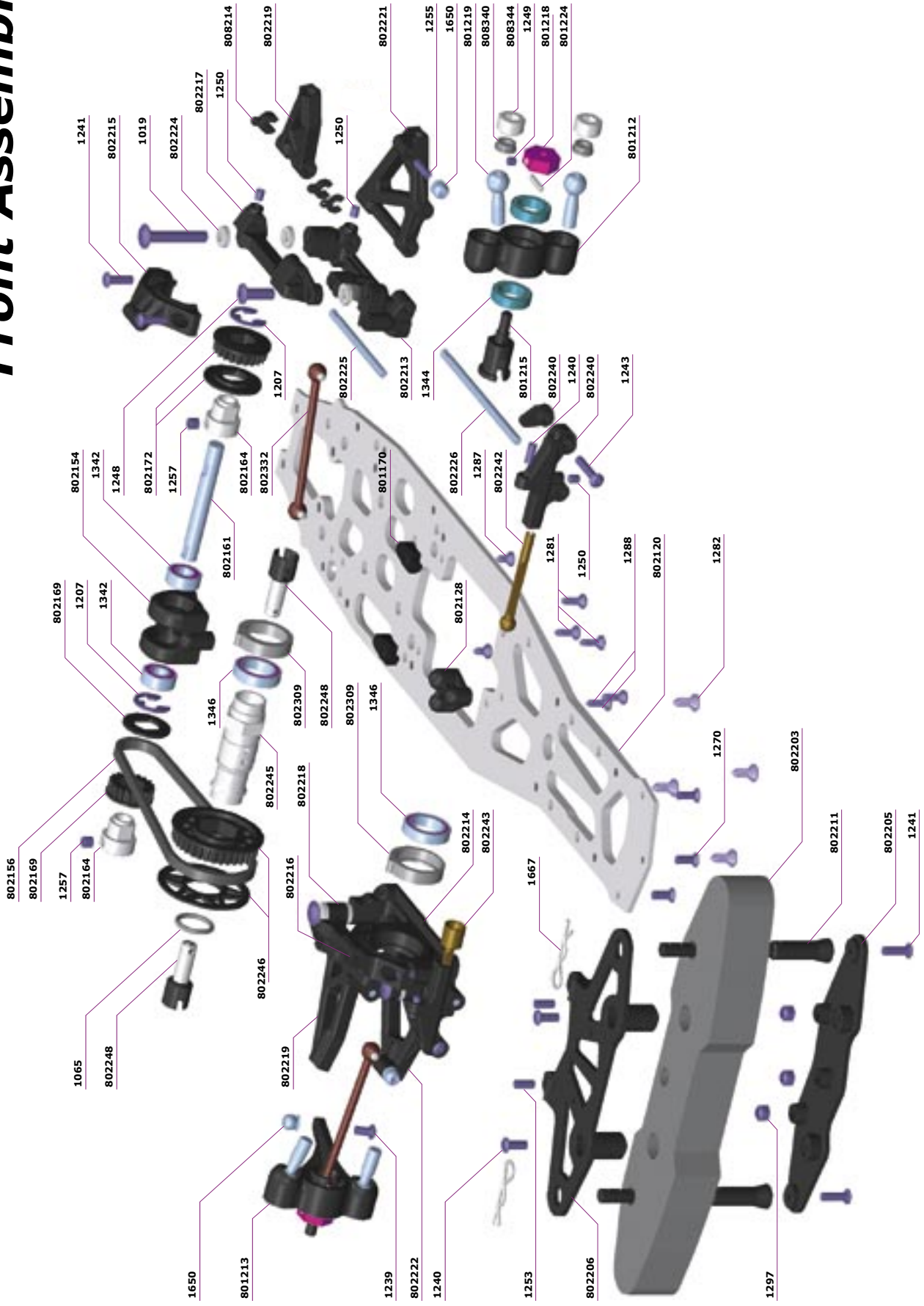
Be sure to check out the Serpent 710 product page on myTSN frequently. All information about your 710 can be found there: publications, news items, set-ups, FAQ's, images, downloads, videos, and interesting forums in several languages. myTSN provides you with an enormous amount of interesting and often valuable information about the Serpent 710, information provided by Serpent, its factory and team drivers, and experienced users around the world. Often this information is even available in several languages! If you're not a member of myTSN.com yet, sign up today and experience why Serpent excels not only on the track, but also on the Internet.

Contents

| | Description | Page |
|-----|---------------------------------------|-------------|
| 1. | Front Assembly | 3 |
| 2. | Rear Assembly & Differential Assembly | 4 |
| 3. | Shock Assembly | 5 |
| 4. | Bodymount Assembly | 5 |
| 5. | Radio Plate Assembly | 6 |
| 6. | Radio Plate Mounting | 7 |
| 7. | Gearbox Assembly | 8 |
| 8. | Centax Assembly | 8 |
| 9. | Final Assembly | 9 |
| 10. | Parts List | 10 |

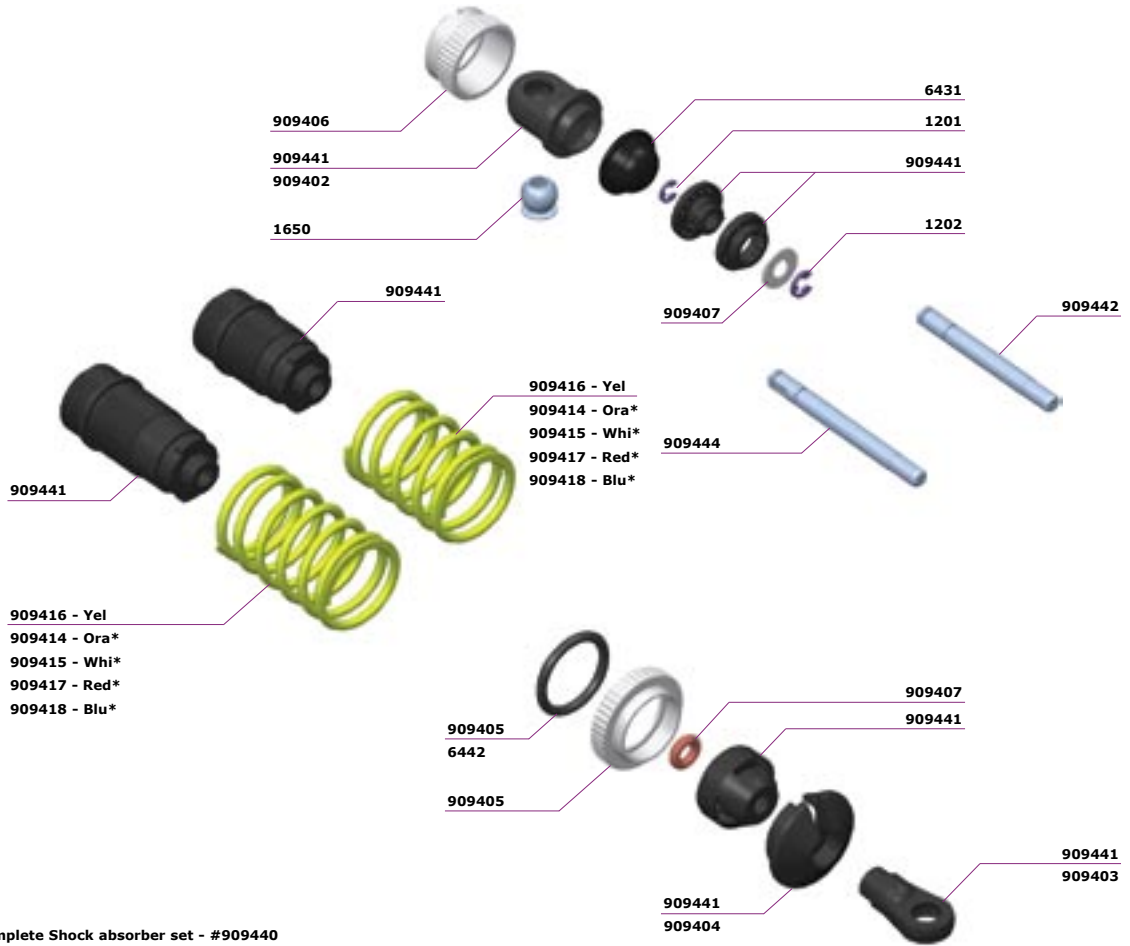
PERFORMANCE THROUGH EVOLUTION

Front Assembly

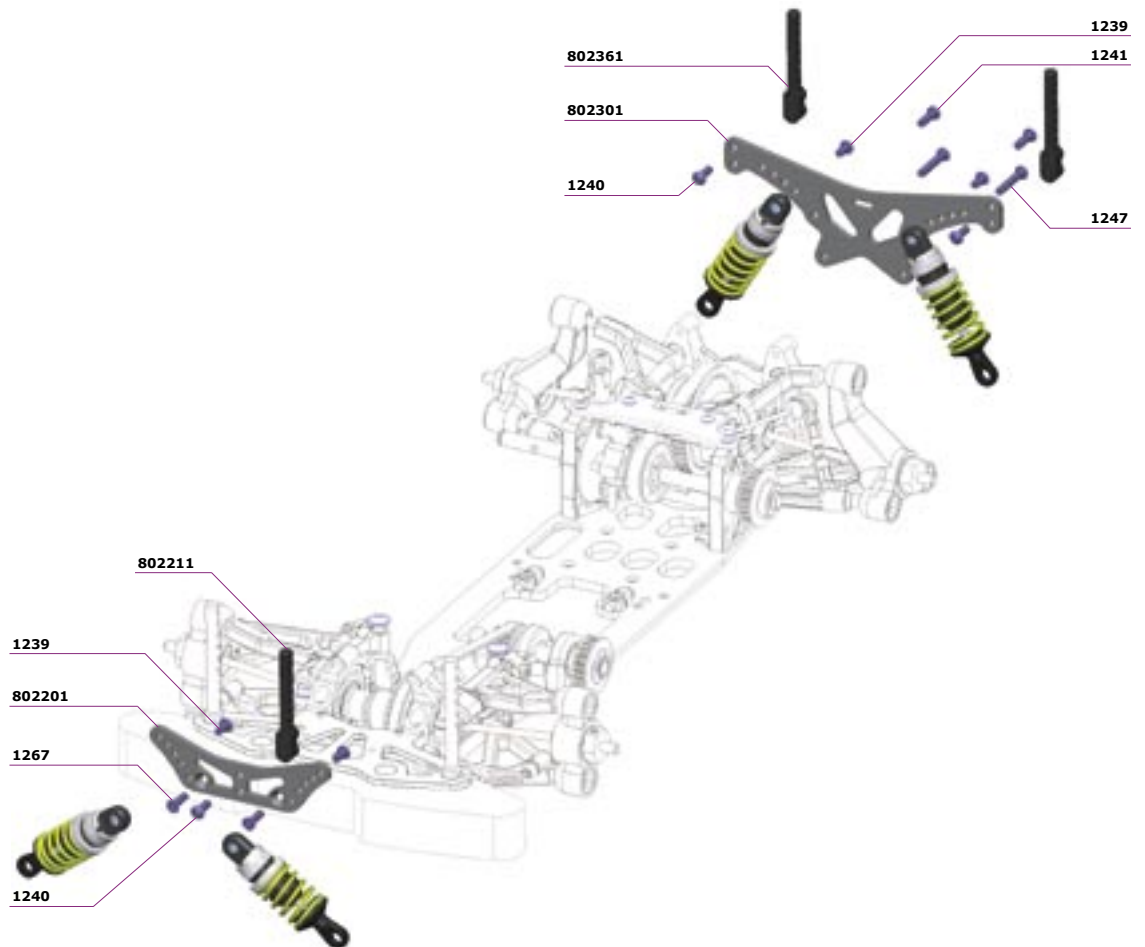


Shock Assembly

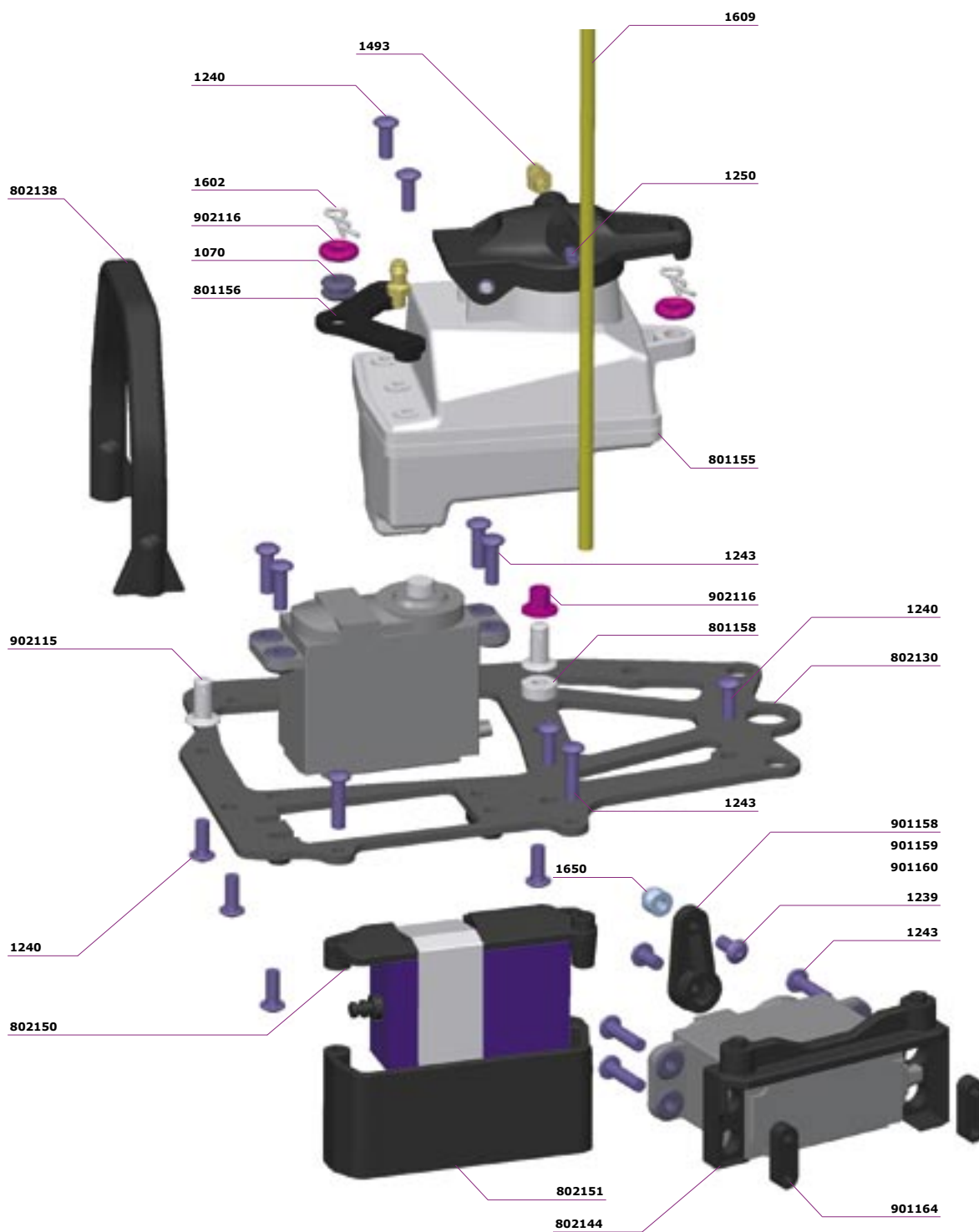
* - Optional



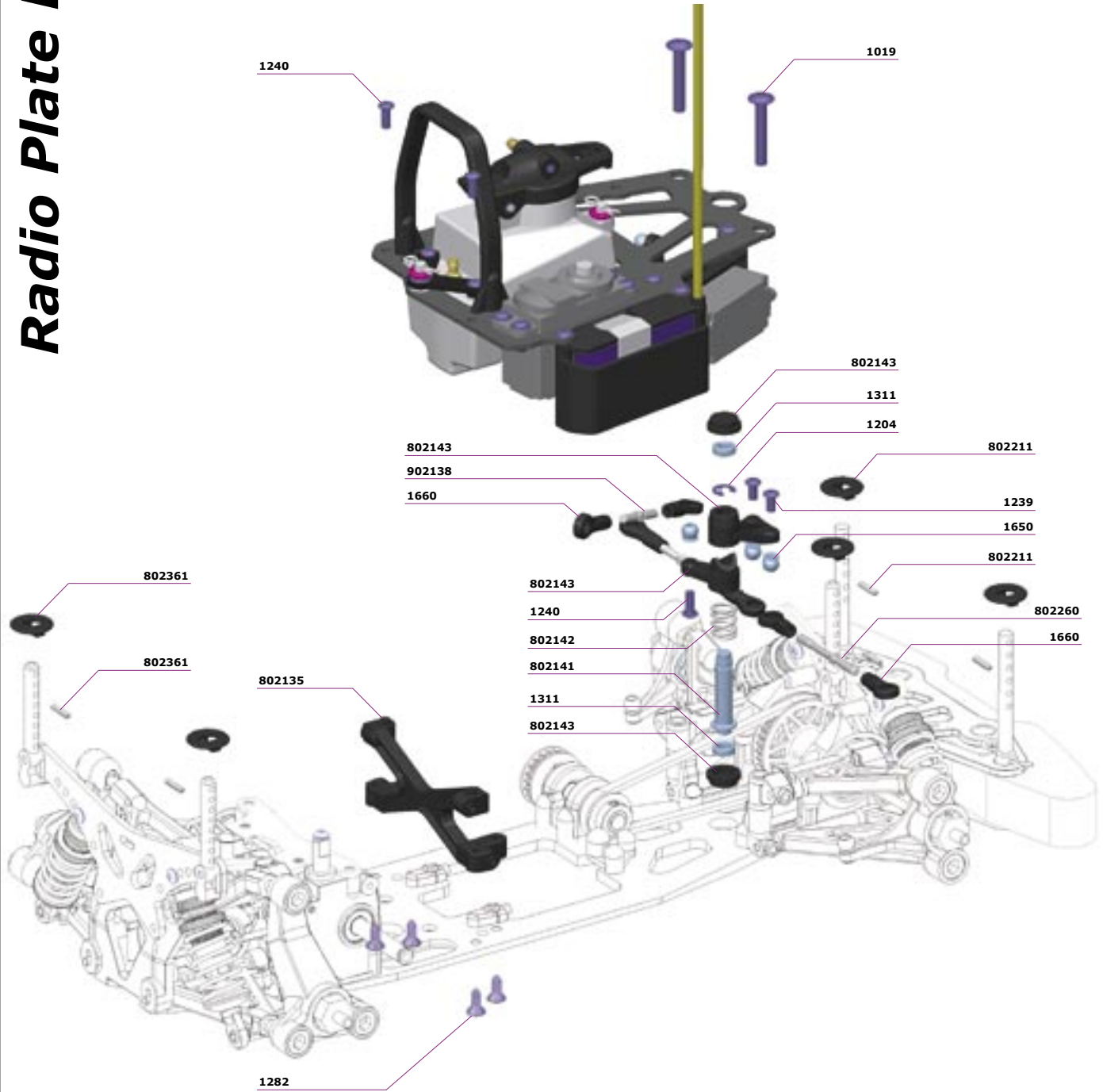
Bodymount Assembly



Radio Plate Assembly



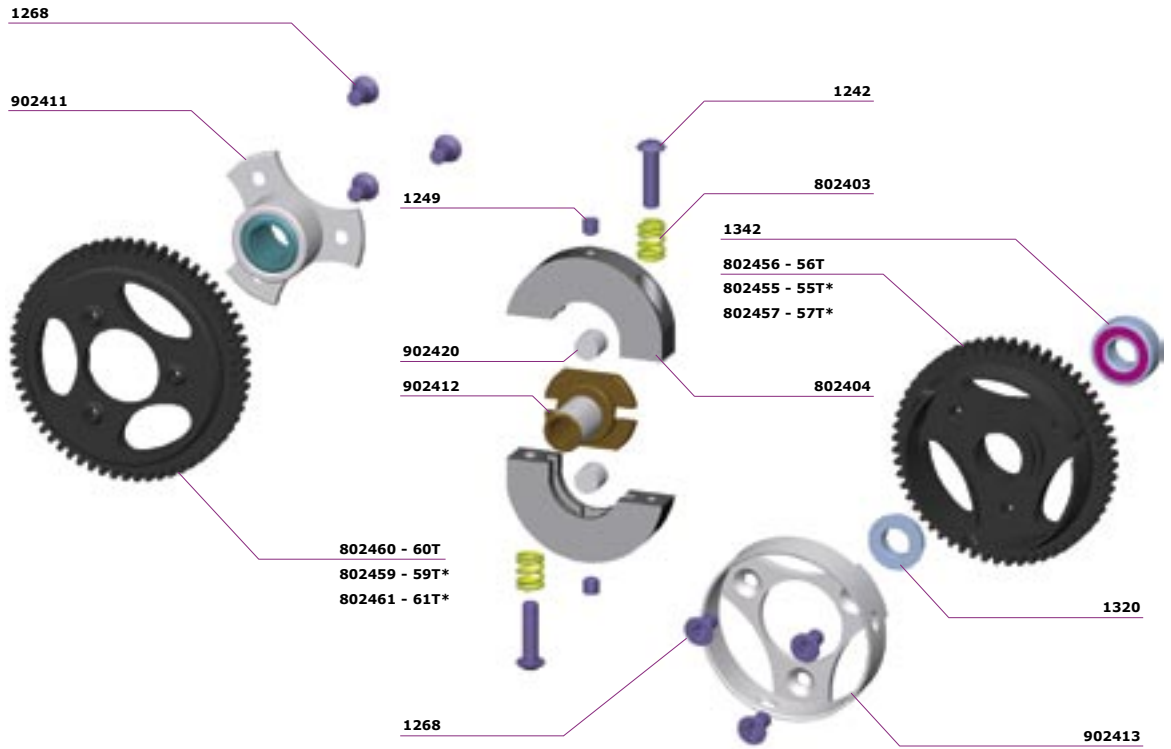
Radio Plate Mounting



Servo Saver set - #802140

Gearbox Assembly

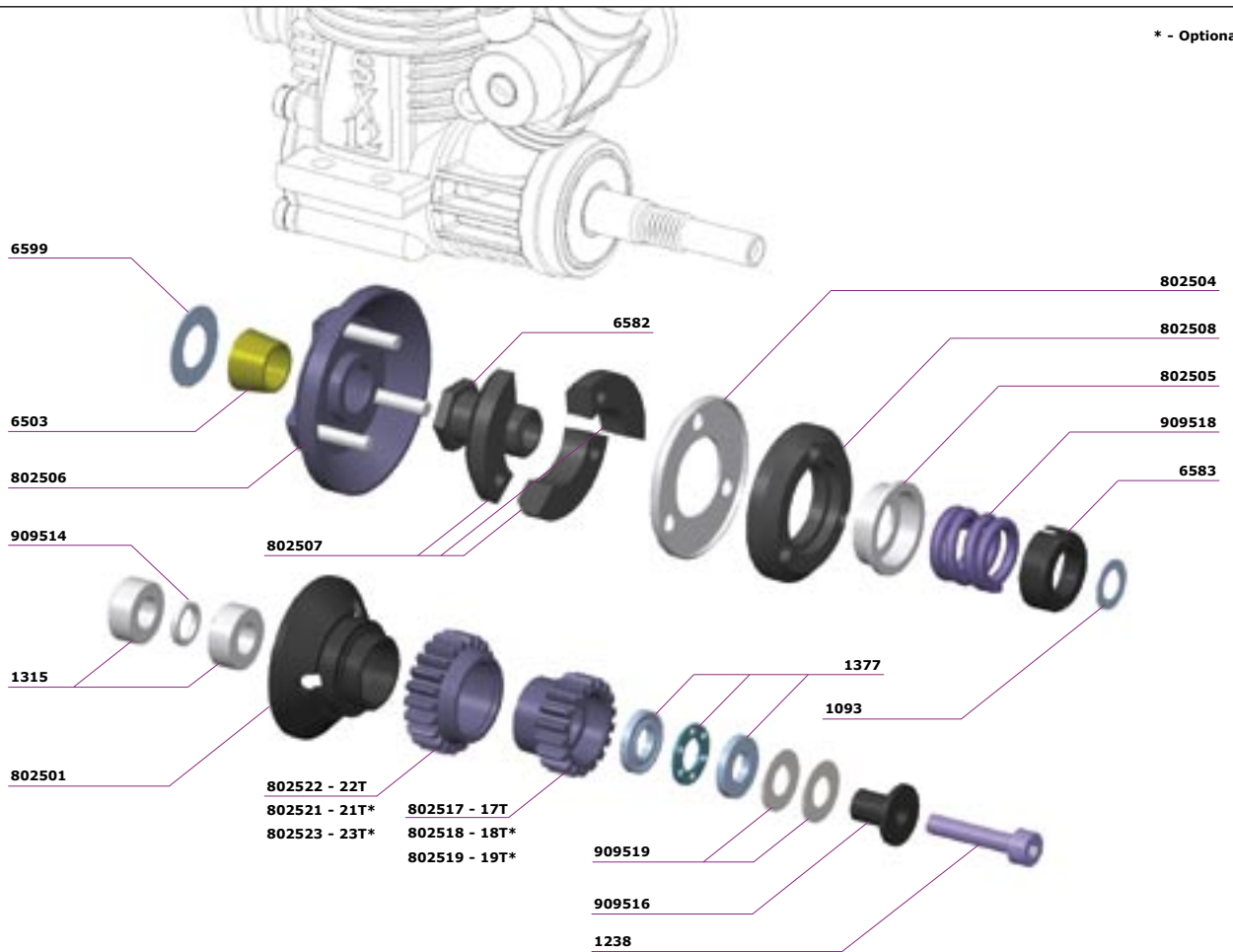
* - Optional



2 Speed gearbox set (no shaft incl.) - #802400

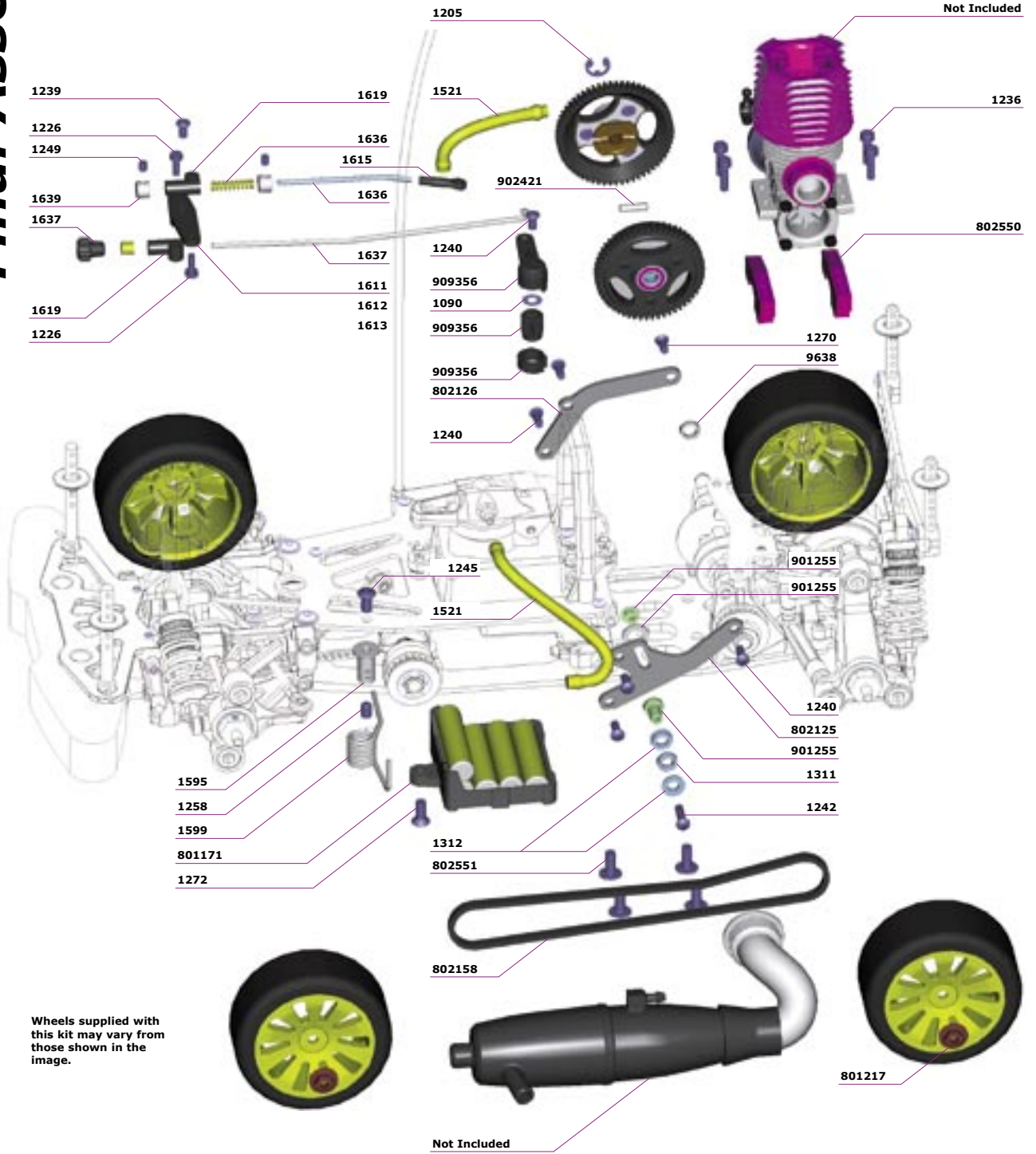
Centax Assembly

* - Optional



Centax-III clutch set (no flywheel incl.) - #802500

Final Assembly



Parts List - Serpent 710

To ensure that you have the most up to date parts list you can download the latest version from the internet by simply typing in the following URL and selecting the file from the 'downloads' section.

www.myTSN.com/Serpent710

ART No. DESCRIPTION

802000 Serpent 710 4WD 200mm

Manual & Decals

802110 Manual SERPENT 710
802111 Reference guide SERPENT 710
802112 Decal sheet SERPENT 710
802113 Set-up booklet SERPENT 710

Radio Installation

1615 Ball-joints 4mm (4)
1619 Wire-guider nylon
1636 Linkage -set throttle
1637 Linkage set brake
1639 Collar alu + setscrew (4)
802150 Receiver bracket
802151 Receiver cover
1660 Ball-joints 6mm (20)

Servo saver and steering sytem

802140 Servo saver set
802141 Servo saver axle
802142 Servo saver spring
802144 Servo mount
802143 Servo saver lw+up + cup
901158 Servo lever 23T
901159 Servo lever 25T
901160 Servo lever 24T
901164 Servo mounting block (4)
1611 Servo lever 23T (2)
1612 Servo lever 25T (2)
1613 Servo lever 24T (2)
902138 Rod threaded 23mm L+R (2)

Fuel tank and parts

801158 Spacer tankmont front
1431 Fueltank foam seals /clip
1493 Pressure nipple (4)
801155 Fueltank 75cc with AFL-cap
801156 Bracket tank-mounting nylon
902115 Mounting-pin tank + rubber cap (2)
902116 Cap rubber for mounting pin tank (2)
1602 Tank-clips small (10)

Ball Bearings

1312 Ballbearing 5x8 flanged (2)
1320 Ballbearing 6x10 flanged (2)
1326 Ballbearing 7x14
1342 Ball-bearing 6x13 HS (2)
1344 Ball-bearing 10x15x4 HS (2)
1346 Ball-bearing 12x18 HS (2)
1373 Thrust-bearing 6x14
1377 Thrust-bearing 5x10

Shock Absorbers

909440 Shockabsorbers-set nylon key-4-step (2)
909441 Shock-parts nylon f+r key-type
909442 Pistons rod FR key hardened (2)
909444 Pistons rod RR key hardened (2)
6431 Membranes (4)
909402 Pivot point top (2)
909403 Ball-joint short 6mm (4)
909404 Spring support washer (4)
909405 Shock-adj nut alu + o-rings (4)
909406 Shock-cap-nut alu. (2)
909407 O-ring set + washers

Serpent H-Q Shock absorber oil

1670 Silicone oil 20W
1674 Silicone oil 25W

1671 Silicone oil 30W
1675 Silicone oil 35W
1672 Silicone oil 40W
1676 Silicone oil 45W
1673 Silicone oil 50W

Chassis & Radio plate

802120 Chassis 4mm alu. T6
802125 Chassis stiffener L carbon
802126 Chassis stiffener R carbon
802130 Radiotray carbon S-710
802128 Battery-case mount
801170 Battery-case mount-studs (2)

Front Section

1065 O-rings alu front axle (10)
1650 Balls 6mm /setscrews hex (4)
1660 Ball-joints 6mm (20)
801212 Steeringblock left FC
801213 Steeringblock right FC
801215 Wheelaxle (2)
801217 Wheelnut M4, flanged (4)
801218 Wheel-adaptor hex alu (2)
801224 Pin 2x9,8 (10)
801219 Pivot-ball 8.5mm alu coated (8)
802156 Timingbelt 246X4mm front
802201 Shocktower carbon front
802203 Bumper, foam
802205 Bumper-plate TC
802206 Bodymount plate TC
802211 Bodymount adjustable front (2)
802213 Bearing block front lw left
802214 Bearing block front lw right
802215 Bearing block front up left
802216 Bearing block front up right
802217 Suspension bracket front left
802218 Suspension bracket front right
802219 Wishbone front upper left+right
802221 Wishbone front lower left
802222 Wishbone front lower right
802223 Spacer alu front 1mm (6)
802224 Spacer alu front 2mm (6)
802225 Pivot pin front upper (2)
802226 Pivot pin front lower (2)
802240 Anti-roll bar levers + ecc.
802242 Anti-roll bar rod front male
802243 Anti-roll bar rod front female
802245 Axle front with Oneways
802246 Pulley 35T/flange
802260 Track-rod 47mm L+R (2)
802309 Bearing eccenter (2)
802332 Driveshaft (2)
802248 Driveshaft adaptor (2)
808214 Spacer-set caster
808340 Ball-cup for pivot ball 8.5mm (8)
808344 Adjusting nut M10 (4)

Middle Section

1599 Exhaust mounting wire
801171 Battery-case
802135 Bracket radioplate-support
802138 Roll-over bar, S-710
802154 Bracket middle shaft
802158 Timingbelt 339X4mm long (side)
802161 Middle shaft steel
802164 Pulley adaptor alu. (2)
802169 Pulley/shim 19T mid-center
802172 Pulley/shim 22T mid-side
802175 Pulley set (4)
901255 Belt-tensioner shaft+nut

Rear Section

1647 Steel balls 6mm (4)
1650 Balls 6mm /setscrews hex (4)
1660 Ball-joints 6mm (20)
801215 Wheelaxle (2)
801217 Wheelnut M4, flanged (4)
801218 Wheel-adaptor hex alu (2)
801224 Pin 2x9,8 (10)

801219 Pivot-ball 8.5mm alu coated (4)
801255 Belt 20x4mm rear
808340 Ball-cup for pivot ball 8.5mm (8)
808344 Adjusting nut M10 (4)
902138 Rod threaded 23mm L+R (2)
802301 Shocktower carbon rear
802303 Brake bracket rear carbon
802304 Rearplate
802305 Bearing block rear lw left
802306 Bearing block rear lw right
802307 Bearing block rear up left
802308 Bearing block rear up right
802309 Bearing eccenter (2)
802310 Suspension bracket rear lw
802311 Suspension bracket rear up
802312 Bearingblock 2-speed L
802314 Bearingblock 2-speed R
802318 Wishbone rear lower left
802319 Wishbone rear lower right
802316 Wishbone rear upper left
802317 Wishbone rear upper right
802320 Trackrod rear lw nylon (2)
802322 Spacer alu conical (4)
802323 Spacer alu straight (2)
802324 Pivot inserts upper & lower (4+4)
802328 Pivot pin rear upper (2)
802329 Pivot pin rear lower (2)
802330 Up-right (1)
802332 Driveshaft (2)
802336 Anti-roll bar rear 2 mm
802339 Anti-roll bar balls rear (2)
802340 pulley-brake adaptor alu
802342 pulley/shim 22T 2sp-side
802344 pulley 24T 2sp-center
802361 Bodymount adjustable rear (2)

Brake-System

9611 Steel brake disks (2)
802395 Brake-cam
901355 Brake pads black (4)
901356 Brake-plates steel (2)
909356 Brake lever / spring

2-Speed Gearbox

802400 2-speed gearbox LC (no shaft incl)
802401 2-speed axle 4WD 710
802403 Spring 2-speed soft (2)
802455 2-speed gear 55T (2ND) LC
802456 2-speed gear 56T (2ND) LC
802457 2-speed gear 57T (2ND) LC
802459 2-speed gear 59T (1ST) LC
802460 2-speed gear 60T (1ST) LC
802461 2-speed gear 61T (1ST) LC
902411 Drive-flange alu with owb LC
902412 Adaptor 2-speed LC
902413 Clutch bell alu LC
802404 2-speed clutch shoes set LC
902420 Needle steel 5X5 (2)
9638 Spacer 2-speed

Front Differential (optional)

8378 Balls and steel washers
801435 Diff - friction collar
801436 Spacer diff - collar
802370 Ball. Differential front
802371 Diff. axle front L
802373 Diff. axle front R
802375 Diff pulley front 35T
1326 Ballbearing 7x14

Rear Differential

802380 Ball. Differential rear
8378 Balls and steel washers
801435 Diff - friction collar
801436 Spacer diff - collar
802381 Diff. axle rear L
802383 Diff. axle rear R
802385 Diff pulley rear 45T
1326 Ballbearing 7x14

Clutch System

| | |
|--------|---------------------------------------|
| 1093 | Centax 5x6.8 shim-set 0.1 (2) 0.3 (1) |
| 6503 | Conus flywheel (3) |
| 6582 | Centax clutch-nut |
| 6583 | Centax pre-load adjusting nut |
| 6599 | Centax shim-set 7x13 (10) |
| 802500 | Centax-3 clutch-set (excl. Flywheel) |
| 802501 | Centax-3 clutch-housing |
| 802504 | Centax-3 support washer |
| 802505 | Centax-3 spring cup |
| 802506 | Centax-3 flywheel 33mm |
| 802507 | Centax-3 centrifugal shoes (3) |
| 802508 | Centax-3 clutch shoe XP |
| 802516 | Centax-3 gear-pinion alu. 16T |
| 802517 | Centax-3 gear-pinion alu. 17T |
| 802518 | Centax-3 gear-pinion alu. 18T |
| 802521 | Centax-3 gear-pinion alu. 21T |
| 802522 | Centax-3 gear-pinion alu. 22T |
| 802523 | Centax-3 gear-pinion alu. 23T |
| 909514 | Centax II bearing spacer 5x7 |
| 909516 | Centax II spacer thrustbearing |
| 909518 | Centax II coil spring 1.8 |
| 909519 | CentaxII shims 5X10X0.1 (2) + 0.3 (1) |

Engine Mounts

| | |
|--------|--------------------------------------|
| 802551 | Engine mount screw M4x10 flanged (4) |
| 802550 | Engine mount M12 (2) |

Wheels

| | |
|--------|-----------------------------------|
| 801826 | Rim 26mm/flange BBS yellow (2) |
| 801830 | Rim 26mm slick 6SP yellow (2) |
| 801832 | Rim 30mm slick 6SP yellow (2) |
| 110300 | Tire rubber + inlays 26mm (2) |
| 801840 | Rim + foam tire 26mm 40 shore (2) |
| 801841 | Rim + foam tire 30mm 35 shore (2) |

Bodies and wings

| | |
|--------|-----------------------------------|
| 170001 | Body Alfa 156 200mm |
| 170004 | Body Opel Vectra 200mm |
| 170008 | Body BMW M3 200mm |
| 170009 | Body Mitsubishi Lancer 200mm |
| 170011 | Body Pick-up truck 200mm |
| 170012 | Body Dodge Viper 200mm |
| 170014 | Body Merc CLK DTM 1/10 200mm |
| 170015 | Body Lola 1/10 200mm |
| 170016 | Body GTP 200mm |
| 170019 | Body Volvo 200mm + wing |
| 170021 | Body Stratus 200mm + wing |
| 170100 | Wing-set rear 1/10 200mm |
| 170102 | Guerny strip + nylon mounts 180mm |
| 170103 | Wing-set rear 200mm Pro |

Optionals

| | |
|--------|---|
| 801345 | Disk-brake ventilated |
| 1360 | Ballbearing 6x13 PHQ (2) |
| 1494 | Silicone tubing 2x5x50 clear |
| 1521 | Silicone tubing 2x5x50 purple |
| 1522 | Silicone tubing 2x5x50 smoke |
| 1604 | Antenna tubes pink (2) |
| 1605 | Antenna tubes green (2) |
| 1606 | Antenna tubes black (2) |
| 1607 | Antenna tubes blue (2) |
| 1608 | Antenna tubes orange (2) |
| 1609 | Antenna tubes purple (2) |
| 1667 | Bodyclip medium (10) |
| 1680 | One-way lube bearing oil 25ml |
| 1682 | Bearing oil 25 ml |
| 1690 | Cleaning gum |
| 1728 | Fastener-set nylon M3-M4 (body) |
| 9607 | Race brake-pad set L+R |
| 801157 | Bracket tank-mounting carbon |
| 909410 | Shock-housing alu PTFE coated front (2) |
| 909411 | Shock-housing alu PTFE coated rear (2) |
| 801173 | Battery-pack pre-assembled 5-cells |

| | |
|--------|------------------------------|
| 802252 | Front shaft lock-set |
| 802325 | Pivot inserts lower centered |

Tools

| | |
|--------|--------------------------------|
| 802515 | Pinion gear tool 16-23T |
| 802514 | Centax-3 clutch housing holder |
| 1460 | Camber gauge |

Accessories

| | |
|--------|--|
| 1395 | Glowdriver with battery & charge cable |
| 1396 | Glowtronic: electronic glowdriver |
| 1429 | Cable-set 12V for Powerstart |
| 802555 | Positioning support S710 |
| 1400G | Powerstart starterbox grey |

Merchandising

| | |
|------|--------------------------------------|
| 1907 | Serpent T-shirt |
| 1908 | Serpent big print T-shirt |
| 1926 | Serpent sweater |
| 1920 | Serpent fleece |
| 1911 | Serpent jacket |
| 1858 | Serpent track banner nylon 140x80cm |
| 1859 | Serpent circuit track decal 140x80cm |
| 1865 | Lanyard Serpent grey-silver |
| 1980 | Kit-bag Serpent black-grey large |
| 1981 | Kit-bag Serpent black small |
| 1990 | Serpent cap grey Deluxe |
| 1999 | NovaMega cap grey Deluxe |

Fastening Material

| | |
|------|-------------------------------|
| 1018 | Screw-flanged M4x14 hex (4) |
| 1019 | Screw-flanged M4x25 hex (4) |
| 1070 | Grommits rubber soft (4) |
| 1090 | Steel Shim 4x8 (10) M6 |
| 1201 | E-clip 1,9 (10) R1 |
| 1202 | E-clip 2,3 (10) R2 |
| 1203 | E-clip 3,2 (10) R3 |
| 1204 | E-clip 4.0 (10) R4 |
| 1205 | E-clip 5.0 (10) R5 |
| 1207 | E-clip 7.0 (10) R7 |
| 1208 | Cir-clip 10X1 (10) T10 |
| 1209 | G-clip 14X1 (10) S14 |
| 1212 | Screw RH PH 2.9X9.5 (10) A5 |
| 1213 | Screw RH PH 2.9X13 (10) A6 |
| 1214 | Screw RH PH 2.9X16 (10) A7 |
| 1215 | Screw RH PH 2.9X19 (10) A8 |
| 1216 | Screw RH PH 2.9X25 (10) A10 |
| 1217 | Screw RH PH 3.5X9.5 (10) A12 |
| 1218 | Screw RH PH 3.5X13 (10) A13 |
| 1219 | Screw RH PH 3.5X16 (10) A14 |
| 1220 | Screw RH PH 3.5X19 (10) A15 |
| 1225 | Screw RH M2X6 (10) C2 |
| 1226 | Screw RH M2X6 (10) C5 |
| 1227 | Screw RH PH M3X8 (10) D11 |
| 1228 | Screw RH PH M3X12 (10) D13 |
| 1232 | Screw RH allen M3x18 (10) E29 |
| 1233 | Screw CH Allen M3X20 (10) F15 |
| 1235 | Screw CH allen M3X6 (10) F10 |
| 1236 | Screw CH allen M3X10 (10) F12 |
| 1237 | Screw CH allen M3X12 (10) F13 |
| 1238 | Screw CH allen M3x16 (10) F14 |
| 1239 | Screw RH allen M3X6 (10) E10 |
| 1240 | Screw RH allen M3X8 (10) E11 |
| 1241 | Screw RH allen M3X12 (10) E12 |
| 1242 | Screw RH allen M3X14 (10) E13 |
| 1243 | Screw RH allen M3X16 (10) E14 |
| 1244 | Screw RH allen M4X6 (10) E17 |
| 1245 | Screw RH allen M4X8 (10) E18 |
| 1246 | Screw RH allen M4X16 (10) E21 |
| 1247 | Screw RH allen M3x10 (10) |
| 1248 | Screw RH allen M4x12 (10) E20 |
| 1249 | Grubscrew M3X3 (10) H8 |
| 1250 | Grubscrew M3X4 (10) H9 |
| 1251 | Grubscrew M3X6 (10) |

| | |
|------|-------------------------------|
| 1253 | Grubscrew M3x8 (10) H11 |
| 1255 | Grubscrew M3X10 (10) H12 |
| 1256 | Grubscrew M3X12 (10) H13 |
| 1257 | Grubscrew M4X4 (10) H16 |
| 1258 | Grubscrew M4X6 (10) H17 |
| 1259 | Grubscrew M5X5 (10) H24 |
| 1260 | Grubscrew M5X6 (10) H25 |
| 1261 | Grubscrew M4X10 (10) H19 |
| 1267 | Screw CSH Allen M3x10 (10) |
| 1268 | Screw CSH PH M3x6 (10) |
| 1269 | Screw CSH PH M3X16 (10) G14 |
| 1270 | Screw CSH PH M3X8 (10) G11 |
| 1271 | Screw CSH PH M4X8 (10) G18 |
| 1272 | Screw CSH PH M4X10 (10) G19 |
| 1273 | Screw CSH PH M4X12 (10) G20 |
| 1274 | Screw CSH PH M4X16 (10) G21 |
| 1275 | Screw CSH PH M5X12 (10) G27 |
| 1276 | Screw CSH PH M4x20 (10) G22 |
| 1278 | Screw CSH Allen M4X20 (10) |
| 1279 | Screw CSH Allen M4X25 (10) |
| 1280 | Screw CSH PH 2,2X6,5 (10) B2 |
| 1281 | Screw CSH PH 2,9X9,5 (10) B5 |
| 1282 | Screw CSH PH 3,5X9,5 (10) B12 |
| 1283 | Screw CSH PH 3,5X13 (10) B13 |
| 1284 | Screw CSH PH 3,5X16 (10) B14 |
| 1285 | Screw CSH PH 4,2X13 (10) B20 |
| 1286 | Screw CSH PH 2.9x19 (10) B8 |
| 1287 | Screw CSH PH 2.2x6.5 (10) B4 |
| 1288 | Screw CSH PH 2.9x9.5 (10) |
| 1290 | Washer 3.2X7 (10) N3 |
| 1291 | Washer 2.5X6 (10) N4 |
| 1292 | Spring washer 6,2X14X0,9 |
| 1293 | Spring washer 7,2X14X0,8 |
| 1295 | Lock washer 3.2x8 (10) o3 |
| 1297 | Nut nylock M3 (10) L3 |
| 1298 | Nut nylock M4 (10) L4 |

myTSN.com

myTSN.com □□□

www.myTSN.com/Serpent710

**SERPENT
MOTORSPORT**

P.O. Box 180, 2100 AD Heemstede
The Netherlands, Europe.
Tel: (31) 23 529 2068
Fax: (31) 23 528 4950
E-mail: info@serpent.com

Serpent USA, Inc.

West Park Center,
2830 NW 79th Avenue,
Miami, Florida 33122, USA.
Tel: (305) 639 9665
Fax: (305) 639 9658
E-mail: info@serpent-usa.com

PERFORMANCE THROUGH EVOLUTION