

RC18T

Instruction Manual for the Team Associated 18T/MT



18T/MT - Key Features

Full Time Shaft Drive 4WD!



Racing Ball Differentials, front and rear!



Full Ball Bearings!



"XP" Series Racing Electronics!



Oil Filled Racing Shocks!

18T/MT 4wd Mini Truck

20100: 18T RTR

Prebuilt, Ready to Run 4wd Race Truck! Includes the following options:

- Mini-Pin Racing Tires
- White Racing Dish Wheels
- Powerful Super-280 Size Motor
- Choice of Red or Blue Pre-Painted Race Truck Bodies

20110: 18MT RTR

Prebuilt, Ready to Run 4wd Monster Truck! Includes the following options:

- Large, AE Pattern Monster Truck Tires
- Chrome Monster Truck Wheels
- Hi-Torque Super-370 Size Motor
- American Flag-Design Monster Truck Body

20102: 18T Factory Team Kit

Unbuilt kit with no electronics. Includes the following Factory Team hop-ups:

- Blue Aluminum Dogbones
- Blue Aluminum Wheelnuts
- Blue Aluminum Finned Motor Mount
- Titanium Turnbuckles
- Carbide Differential Balls
- Clear Body, Decals & Window Masks
- Blue Woven Graphite Battery Strap
- Blue Aluminum Threaded Shocks

Chassis Specs

Length:	18T	18MT
Width:	218mm	225mm
Wheelbase:	182mm	188mm
Internal Gear Ratio:	154mm	154mm
Weight:	2.5:1	2.5:1
Drivetrain:	540g (with body)	605g (with body)
	Shaft drive	Shaft drive

1:18 Scale 4wd Electric Truck



© 2004 Associated Electrics, Inc.

Thank you for selecting this Team Associated model.

Team Associated wants you to enjoy the driving and maintaining of your new model. If you come across any problems or need help with the maintenance of your model, please give us a call and we will do our very best to help you.

The RTR

Your new vehicle comes factory assembled with radio gear and battery. You will need to purchase AA batteries for your radio. Please see the Quick Start Guide for installing your AA batteries.

The Manual

Examine each step carefully before building. Special notes for each step will be marked with a ▼.

Certain steps will notate left and right sides of the vehicle. For assembly, the left side of the vehicle is the 'driver' side of the car...it would be built as if you are sitting in the driver's seat.

Customer Support

Tel: 714.850.9342

Fax: 714.850.1744

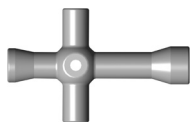
Hours: 8:00am - 4:00pm, pst

<http://www.rc10.com>

<http://www.TeamAssociated.com>



recommended tools for assembly and maintenance



4-way wrench
(included)



hex wrench, 1.5mm, 3/32"
(included)



#1 Phillips screwdriver

items required to operate your vehicle



8 AA size batteries

recommended servo list

using kit mount:

XP C1016

ACE C1016

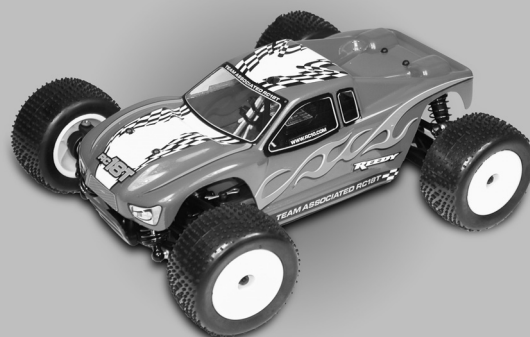
Airtronics 94091

Futaba S3106

using optional mount

(part # 21049, included in Factory Team kit):

Hitec HS-56HB



► Bag A - Step 1



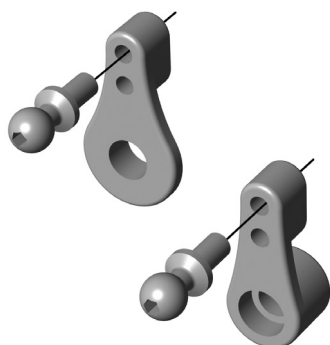
21041, qty 1
servo saver



21050, qty 1
steering bellcrank



21082, qty 2
ball stud, 5mm



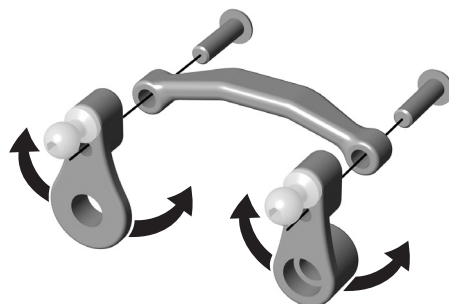
► Step 2



21041, qty 2
M2.5 x 9 bhps



21050, qty 1
steering drag link



▼ should be 'free' movement

► Step 3



21041, qty 1
M2.0 x 9 bhps
XP/Futaba



21041, qty 1
servo saver
bushing
XP/Futaba



21041, qty 1
servo saver spring



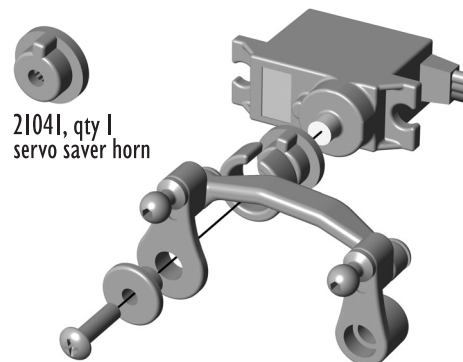
21041, qty 2
M2.5 x 9 bhps
Sanwa/Airtronics



21049, qty 1
aluminum servo saver bushing
Hitec/Sanwa/Airtronics



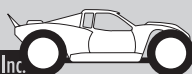
21041, qty 1
servo saver horn



▼ if you are using a Hitec HS-56 servo, please refer to the Hitec servo saver bag for detailed instructions on installing the Hitec servo saver assembly (FT Kit only)

Associated Electrics, Inc.

3585 Cadillac Ave.
Costa Mesa, CA 92626 USA



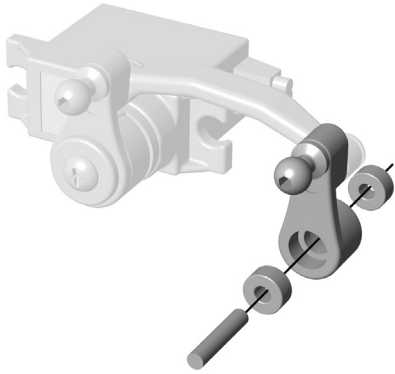
▶ Step 4



21050, qty 2
steering bellcrank
bushing



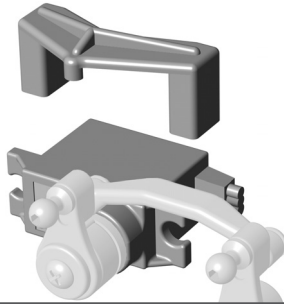
21050, qty 1
steering bellcrank
hinge pin



▶ Step 5



21040, qty 1
servo mount



! if you are using a Hitec HS-56 servo,
please refer to the Hitec servo bag
for detailed instructions on installing the
servo with the Hitec mount

▶ Bag B - Step 1

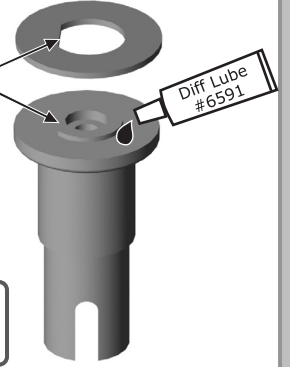


21027, qty 1
diff outdrive (long)



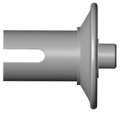
21115, qty 1
diff drive ring

! align
flat spots



! build 2
differentials

▶ Step 2

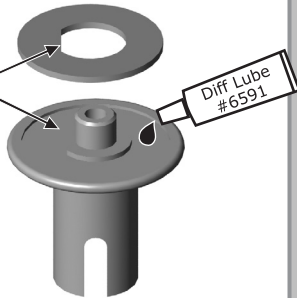


21027, qty 1
diff outdrive (short)



21115, qty 1
diff drive ring

! align
flat spots



▶ Step 3

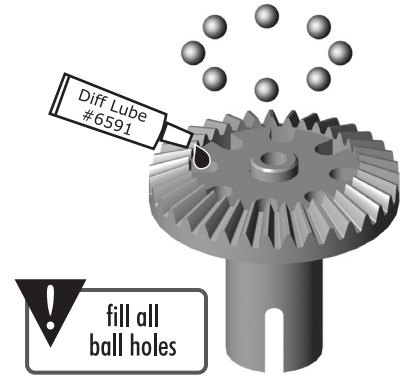


21022, qty 1
diff gear



▶ Step 4

21115, 21116*, qty 8
diff balls, 2mm



! fill all
ball holes

▶ Step 5



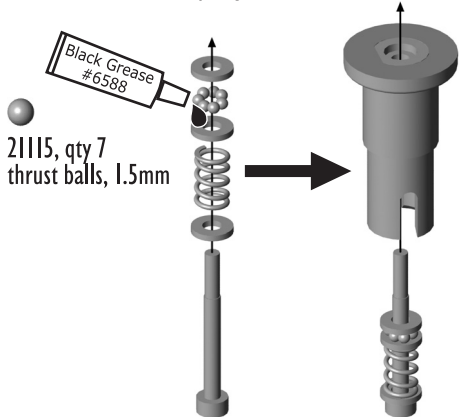
21115, qty 3
thrust washer



21115, qty 1
diff spring

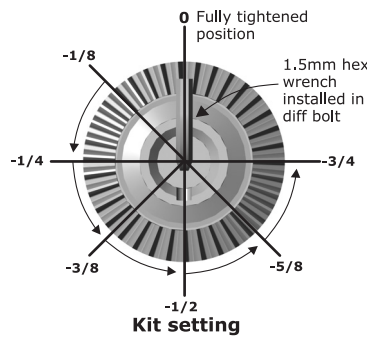
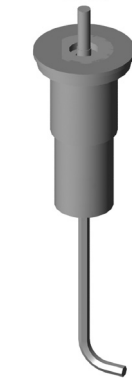


21115, qty 1
diff bolt



21115, qty 7
thrust balls, 1.5mm

▶ Step 6



! Do not over-tighten
diff bolt!

When fully compressed,
set at 1/2 turn out
(see diagram)

▶ Step 7



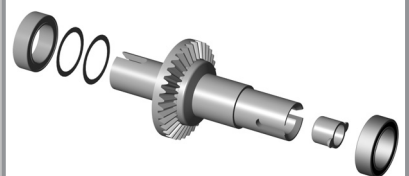
21027, qty 1
dogbone spring cup



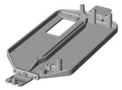
21106, qty 2
8 x 12 x 3.5 bearing



21141, qty 2
18T diff shim



▶ Bag C - Step 1



21001, qty 1
18t chassis



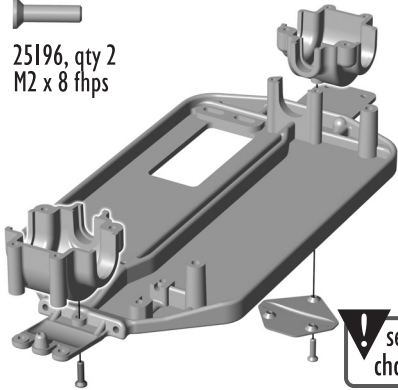
21025, qty 2
18t gearbox cases



21077 55t(T), qty 1
21078 60t(MT), qty 1
gear cover



25196, qty 2
M2 x 8 fhps

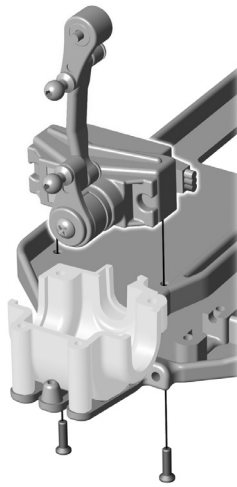


▶ see gearing chart, page 11

▶ Step 2

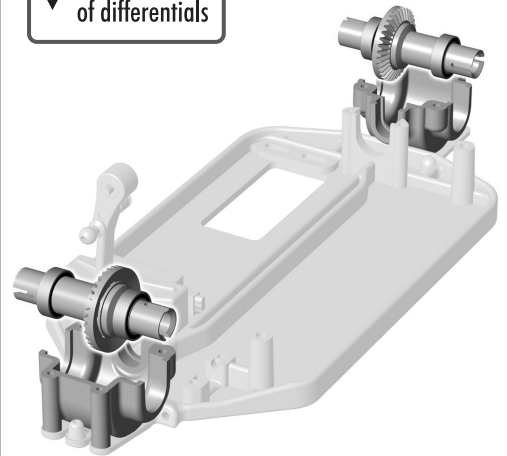


25196, qty 2
M2 x 8 fhps



▶ Step 3

▶ note direction of differentials



▶ Step 4



21033 (T), qty 1
55t spur gear
21035 (MT), qty 1
60t spur gear



21106, qty 1
8 x 12 x 3.5 bearing



▶ Step 5



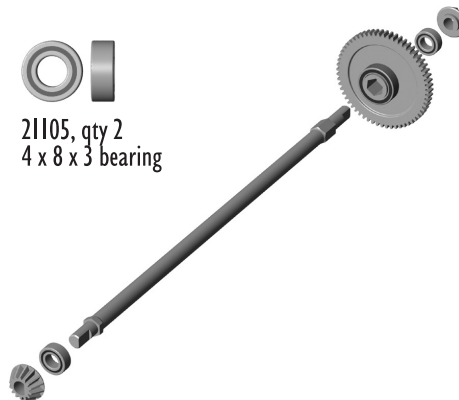
21022, qty 2
input bevel gear



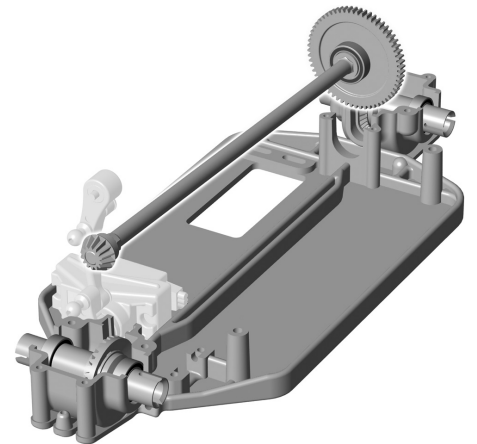
21089, qty 1
main driveshaft



21105, qty 2
4 x 8 x 3 bearing



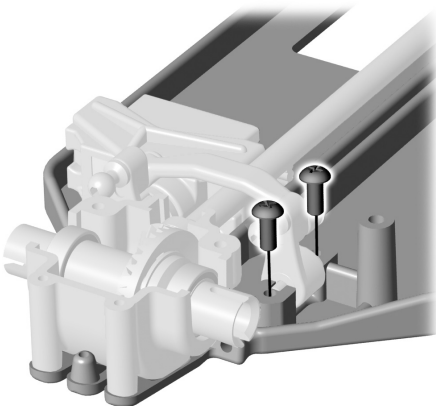
▶ Step 6



▶ Step 7



21133, qty 2
M2.5 x 6 bhps



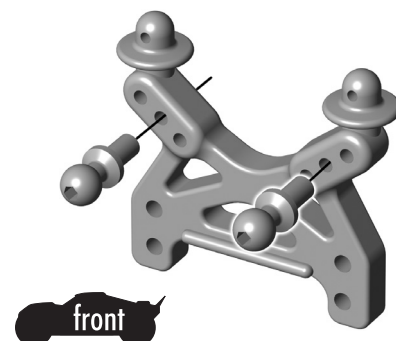
▶ Bag D - Step 1



21017, 21221, qty 1
shock tower, front



21082, qty 2
ballstud, 5mm



front

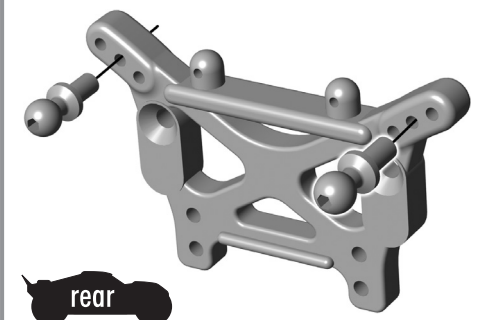
▶ Step 2



21017, 21222, qty 1
shock tower, rear



21082, qty 2
ballstud, 5mm

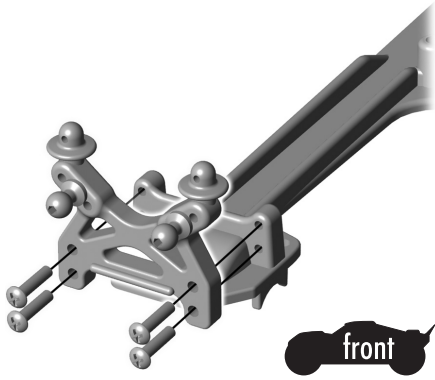


rear

▶ Step 3

21003, qty 1
chassis top plate

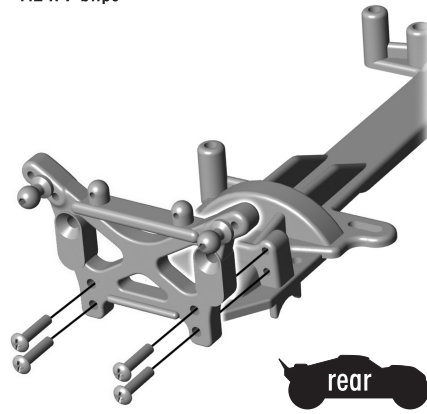
21132, qty 4
M2 x 9 bhps



front

▶ Step 4

21132, qty 4
M2 x 9 bhps

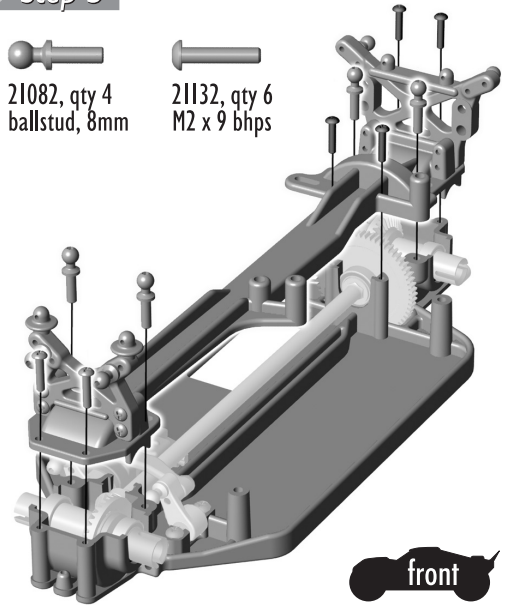


rear

▶ Step 5

21082, qty 4
ballstud, 8mm

21132, qty 6
M2 x 9 bhps

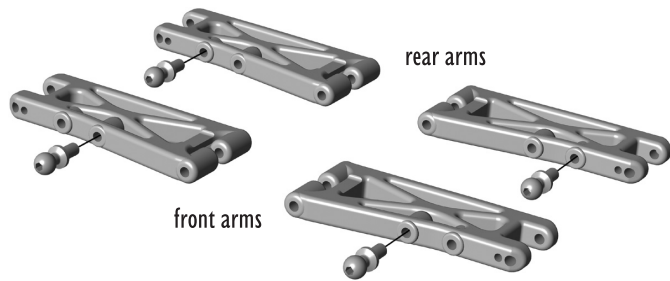


front

▶ Bag E - Step 1

21082, qty 4
ballstud, 5mm

21008, 21220, qty 4
suspension arm

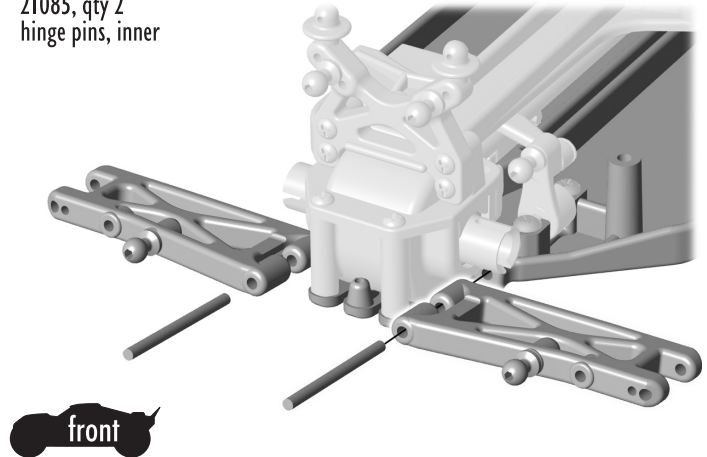


front arms

rear arms

▶ Step 2

21085, qty 2
hinge pins, inner



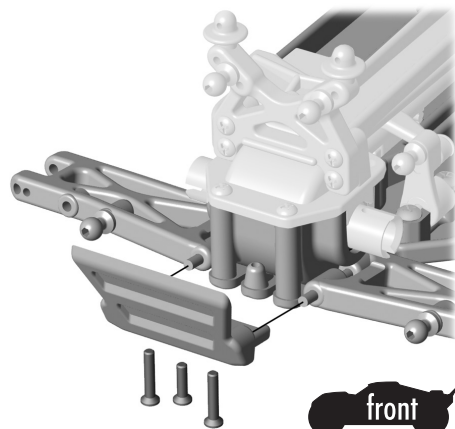
front

▶ Step 3

21005, qty 1
front bumper/arm
mount

21135, qty 2
M2 x 12 fhps

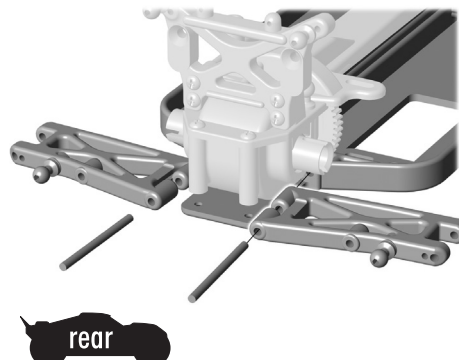
25196, qty 1
M2 x 8 fhps



front

▶ Step 4

21085, qty 2
hinge pins, inner

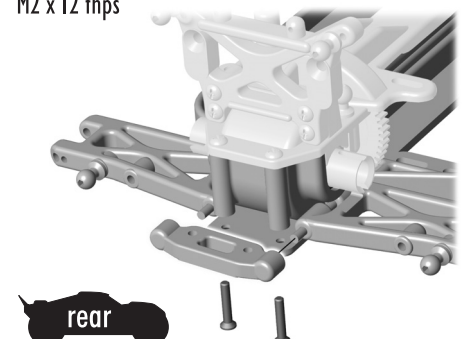
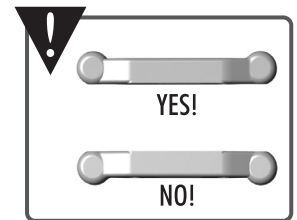


rear

▶ Step 5

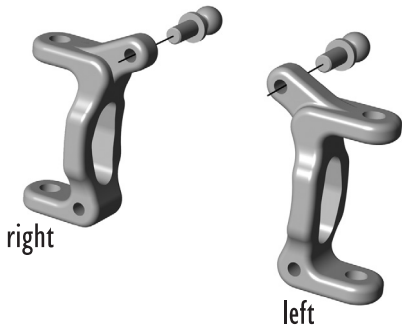
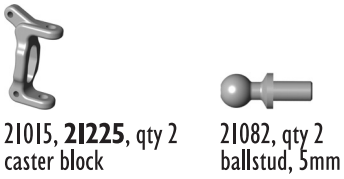
21005, qty 1
rear arm mount

21135, qty 2
M2 x 12 fhps

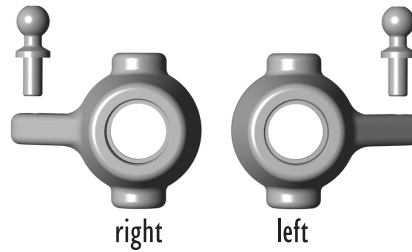
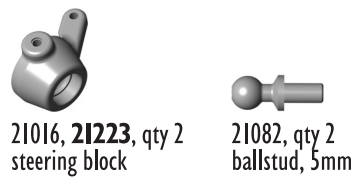


rear

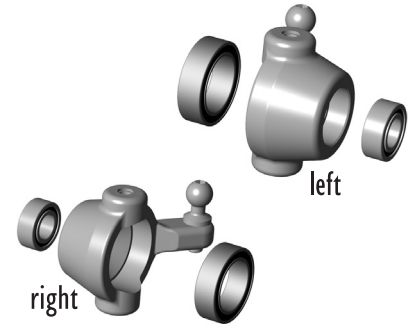
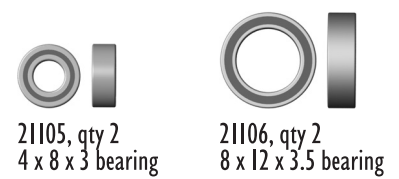
► Bag F - Step 1



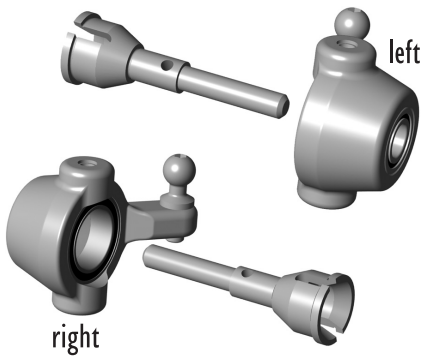
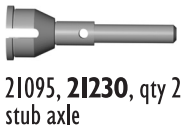
► Step 2



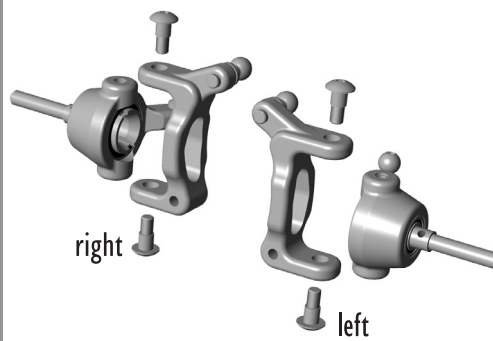
► Step 3



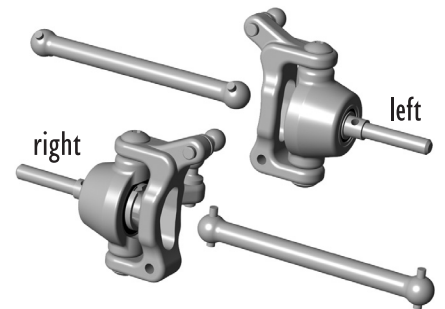
► Step 4



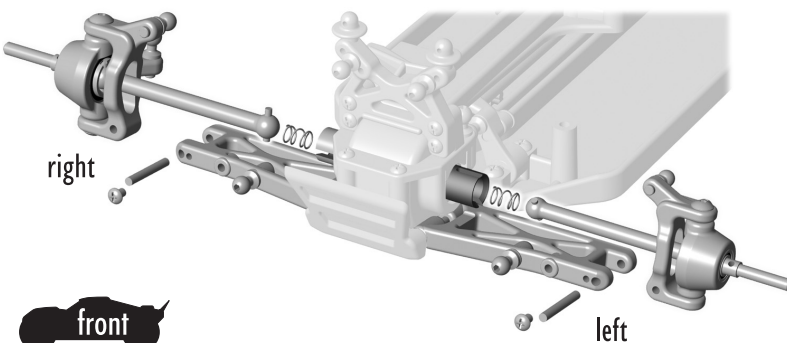
► Step 5



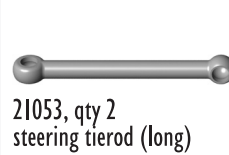
► Step 6



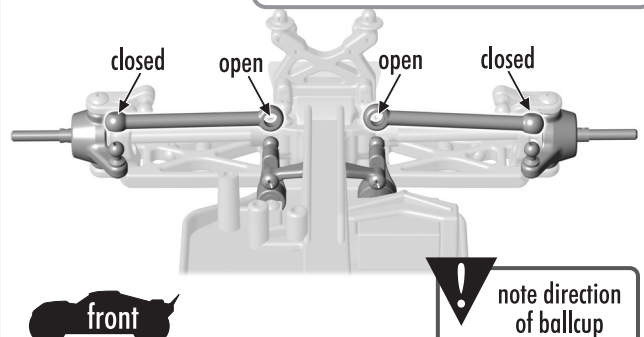
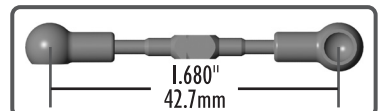
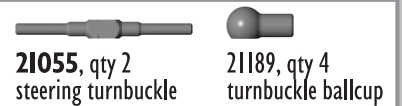
► Step 7



► Step 8



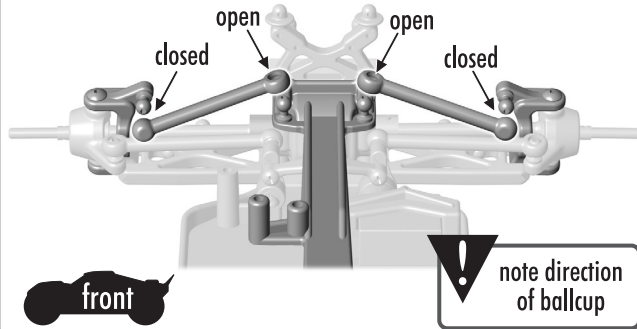
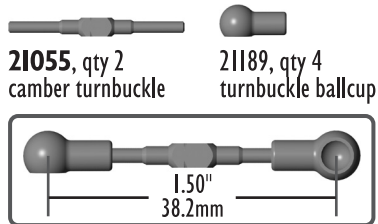
Factory Team Only



Step 9

21053, qty 2
suspension upper tierod
(short)

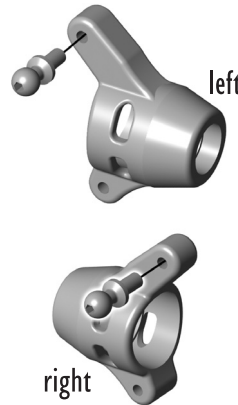
Factory Team Only



Step 10

21010, 21224, qty 2
rear hub carrier

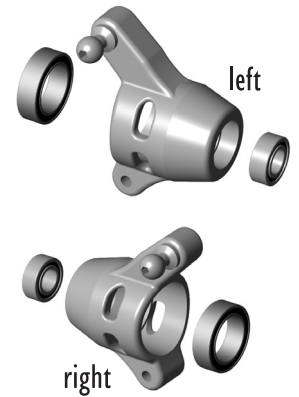
21082, qty 2
ballstud, 5mm



Step 11

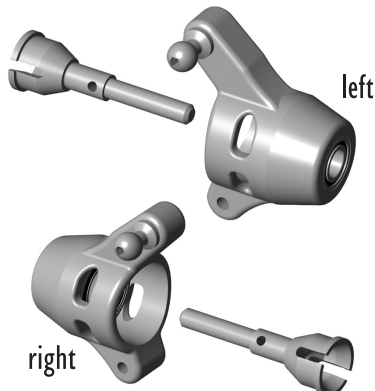
21105, qty 2
4 x 8x 3 bearing

21106, qty 2
8 x 12 x 3.5 bearing



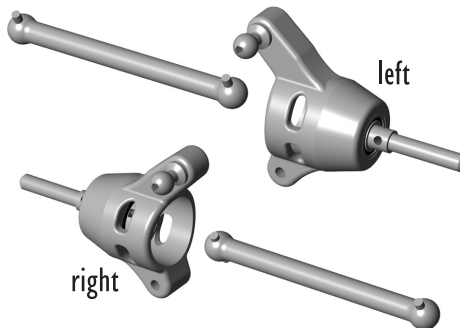
Step 12

21095, 21230, qty 2
stub axle



Step 13

21030, 21031, qty 2
dogbone



Having Problems?

Associated Electrics, Inc.
3585 Cadillac Ave.
Costa Mesa, CA 92626 USA

Customer Support

Tel: 714.850.9342
Fax: 714.850.1744

Hours: 8:00am - 4:00pm, pst

<http://www.rc10.com>
<http://www.TeamAssociated.com>

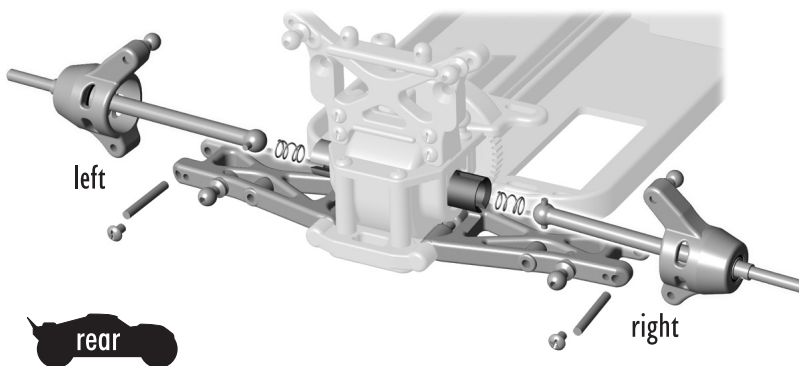


Step 14

21030, qty 2
dogbone spring

21085, qty 2
hinge pins, outer

21130, qty 2
M2 x 3 bhps



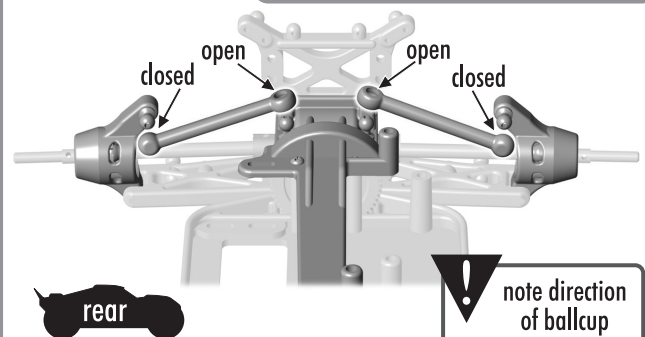
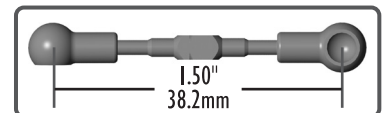
Step 15

Factory Team Only

21053, qty 2
suspension upper tierod
(short)

21055, qty 2
camber turnbuckle

21189, qty 4
turnbuckle ballcup



▶ Bag G - Step 1 Front Shocks



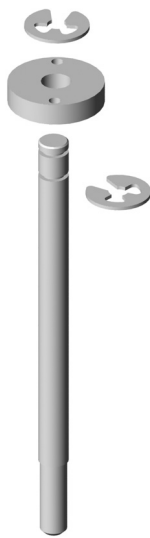
21190, qty 2 e-clip



21190, qty 1 piston



21190, qty 1 front shock shaft (short)



! build 2 shocks

▶ Step 2



21181, 21214, qty 1 front shock body (short)



21190, qty 2 o-ring

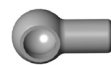


21190, qty 1 shock body seal cap



! cap should 'snap' in place

▶ Step 3



21189, qty 1 ball cup, short



#5422



grip shaft (where shown) with needlenose pliers

▶ Step 4 Rear Shocks



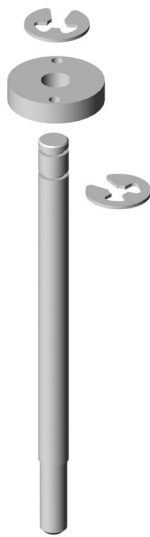
21190, qty 2 e-clip



21190, qty 1 piston



21190, qty 1 rear shock shaft (long)



! build 2 shocks

▶ Step 5



21180, 21215, qty 1 rear shock body (long)



21190, qty 2 o-ring

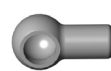


21190, qty 1 shock body seal cap



! cap should 'snap' in place

▶ Step 6



21189, qty 1 ball cup, short



#5422



grip shaft (where shown) with needlenose pliers

▶ Step 7

fill to top with oil



#5422

move shaft up & down to remove air bubbles



fill to top with oil



#5422

install bladder



21190, qty 1 shock bladder

retain oil as you screw the cap on



21182, qty 1 shock cap

▶ Step 8 Front Shocks



21198, qty 1
front spring, blue, 3.0lb



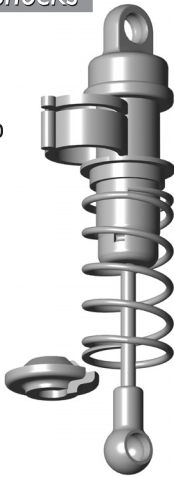
21191, qty 1
upper spring perch



21191, qty 1
lower spring retainer



T & MT - 21191, qty 1 each
ride height clip, 5mm, 2mm



Factory Team Only



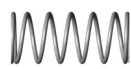
21214, qty 1
threaded shock collar

adjust ride height to 7mm



front

▶ Step 9 Rear Shocks



21202, qty 1
rear spring, blue, 1.9lb



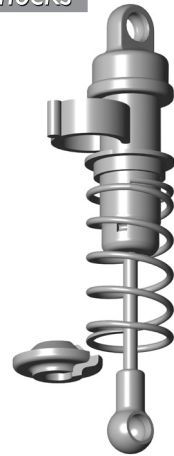
21191, qty 1
upper spring perch



21191, qty 1
lower spring retainer



T - 21191, qty 1
ride height clip, 5mm



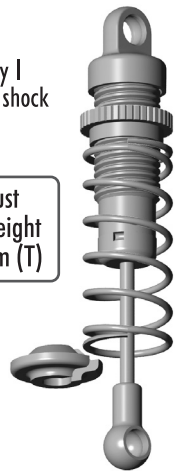
MT - 21191, qty 1 each
ride height clip, 5mm, 2mm, 1 mm

Factory Team Only



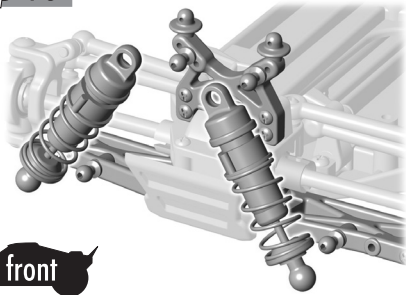
21214, qty 1
threaded shock collar

adjust ride height to 5mm (T)

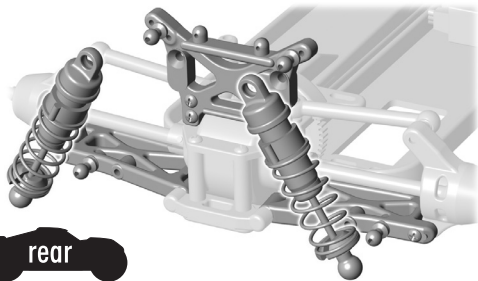


rear

▶ Step 10



front



rear

▶ Bag H - Step 1



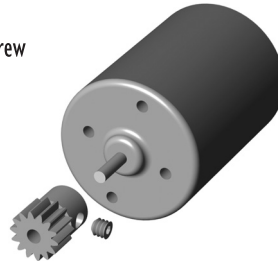
21210, qty 1
super 370 motor



21155 (T), qty 1
14t motor pinion
21152 (MT), qty 1
10t motor pinion



25225, qty 1
M3 x 3 setscrew



refer below for proper gearing for the motor you are using

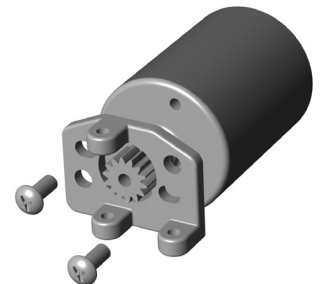
▶ Step 2



21091, 21093, qty 1
motor mount



21129, qty 2
M3 x 5 bhps



assemble using holes that best fit your motor

▶ 18T/MT Gear Chart

Motor	55t Spur	60t Spur	MT 60t Spur
Reedy Mini Max Motor - Large Track	12	13	11
Reedy Mini Max Motor - Short Track	-	12	10
Other Modified 280 Motor - Large Track	13	14	11
Other Modified 280 Motor - Short Track	12	13	10
"Big Block" 370 Size Motor - Large Track	13	14	11
"Big Block" 370 Size Motor - Short Track	12	13	10
Super 280 Motor - Large Track	14	15	-
Super 280 Motor - Short Track	13	14	-

Motor gearing is a starting recommendation only. You may need to adjust your gearing according to your track size.

▶ Step 3



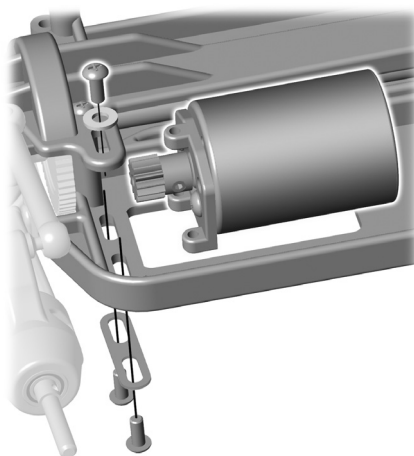
21133, qty 3
M2.5 x 6 bhps



21139, qty 1
M2.5 washer



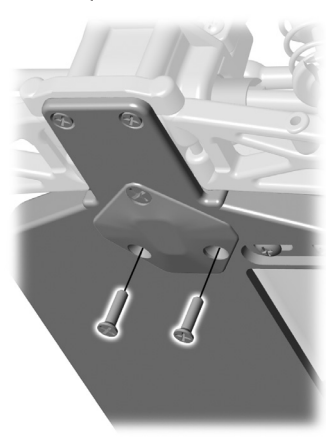
21140, qty 1
motor mount plate



▶ Step 4



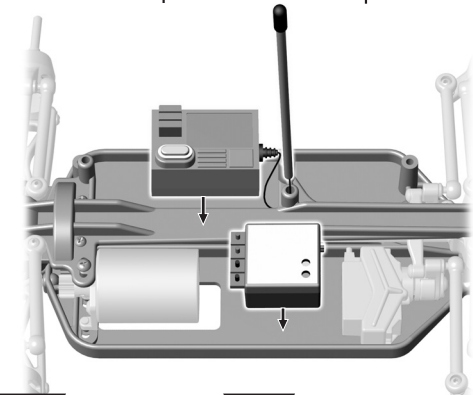
25196, qty 2
M2 x 8 fhps



▶ Step 5

6338, qty 1
antenna tube & cap

6727, qty 1
servo tape

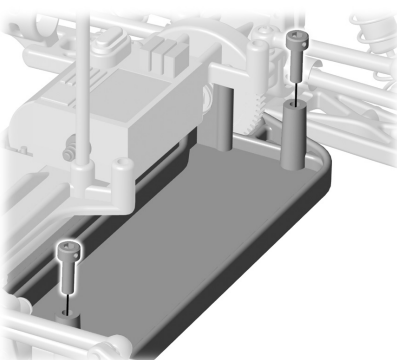


! feed antenna wire as shown

! attach receiver & esc to chassis with servo tape

▶ Step 6

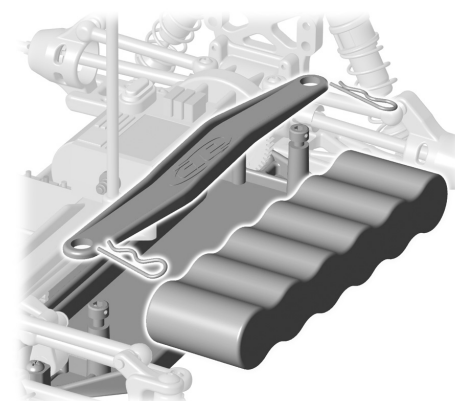
6929, qty 2
4-40 x 3/8" shcs w/hole



▶ Step 7

21013, 21238, qty 1
6 cell battery brace

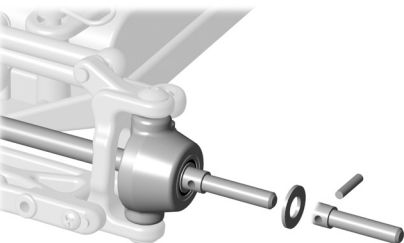
21173, qty 2
body clips



▶ Step 8

21096, qty 1
stub axle pin

21096, qty 1
stub axle spacer



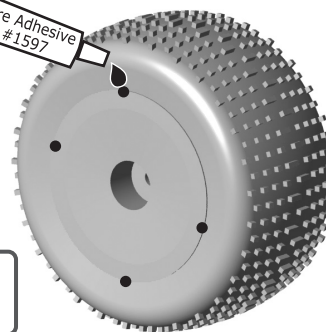
! assemble 4 axles

▶ Step 9

21058, qty 1
18T white wheel

21059, qty 1
18T mini pin tire/insert

Tire Adhesive #1597



! both sides of tires

! **WARNING!**
Follow the adhesive manufacturer's instructions for proper use and safety. Wear eye and hand protection.

▶ Additional Information

For more information about your RC18T/MT, including tuning information, tips & tricks and setup info, visit these web sites:

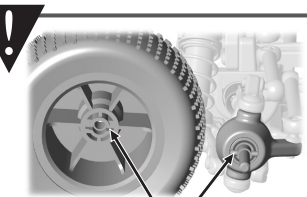
- www.RC10.com
- www.TeamAssociated.com
- www.CompetitionX.com

▶ Step 10

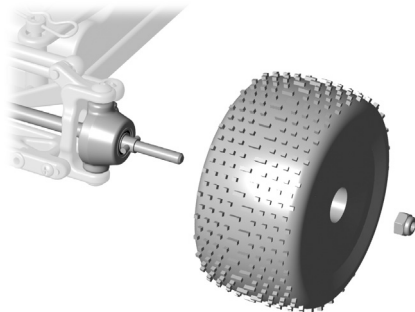
21060, qty 1
18T wheel/tire/insert, mounted

21065, qty 1
18MT wheel/tire/insert, mounted

25215, 25392, qty 1
M3 locknuts



! align
attach 4 wheels



▶ Step 11

21070/21071, 21074, qty 1
18T body, blue/red/clear

21072/21075, qty 1
18MT body, flag design/clear

21173, qty 4
body clips

21239, qty 1
18MT flag kit

! locate into holes in bed of MT body

