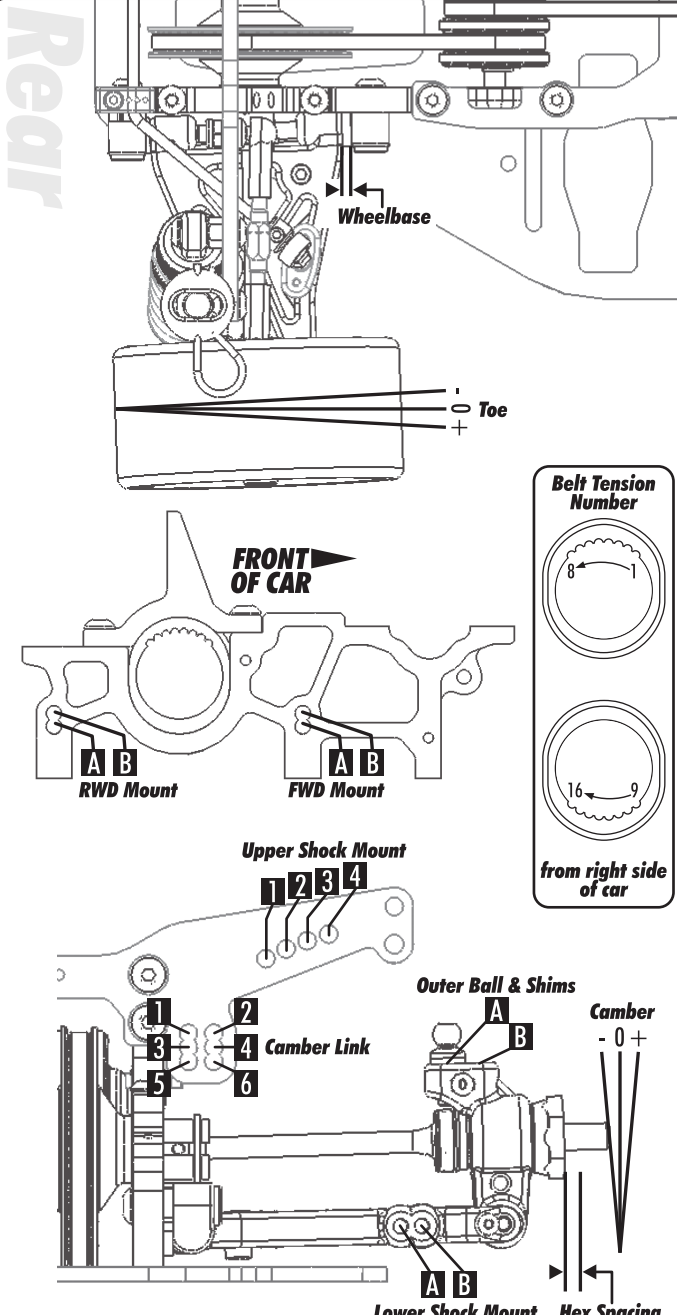


**Name:** RYAN CAVALIERI  
**Event:** REEDY TOURING CAR RACE  
**Conditions:** OUTDOOR ASPHALT, RUBBER TIRES

**Date:** 5/27/07  
**Track:** TAMIYA USA

For Team Driver's setups, please visit [www.RC10.com](http://www.RC10.com), [www.TeamAssociated.com](http://www.TeamAssociated.com) or [www.CompetitionX.com!](http://www.CompetitionX.com!)



Rear	Alignment	Front
5mm	Ride Height	5mm
-1.5°	Camber	-1.5°
N/A	Caster	4°
1°	Rear Hub Toe	N/A
-3°	Toe	0°
0.5mm	Hex Spacing	0.5mm
2mm	Wheelbase	1mm
N/A	Steering Link	1A
N/A	Bumpsteer	2mm-Silver

Notes:

Diff	Type	Spool
Standard	Setting	---
7	Belt Tension Number	10
A	Cam Holder	A

Notes:

RP-30	Tires	RP-30
	Tire	
	Tire Diameter	
	Insert & Wheel Additive & Amount	

Notes:

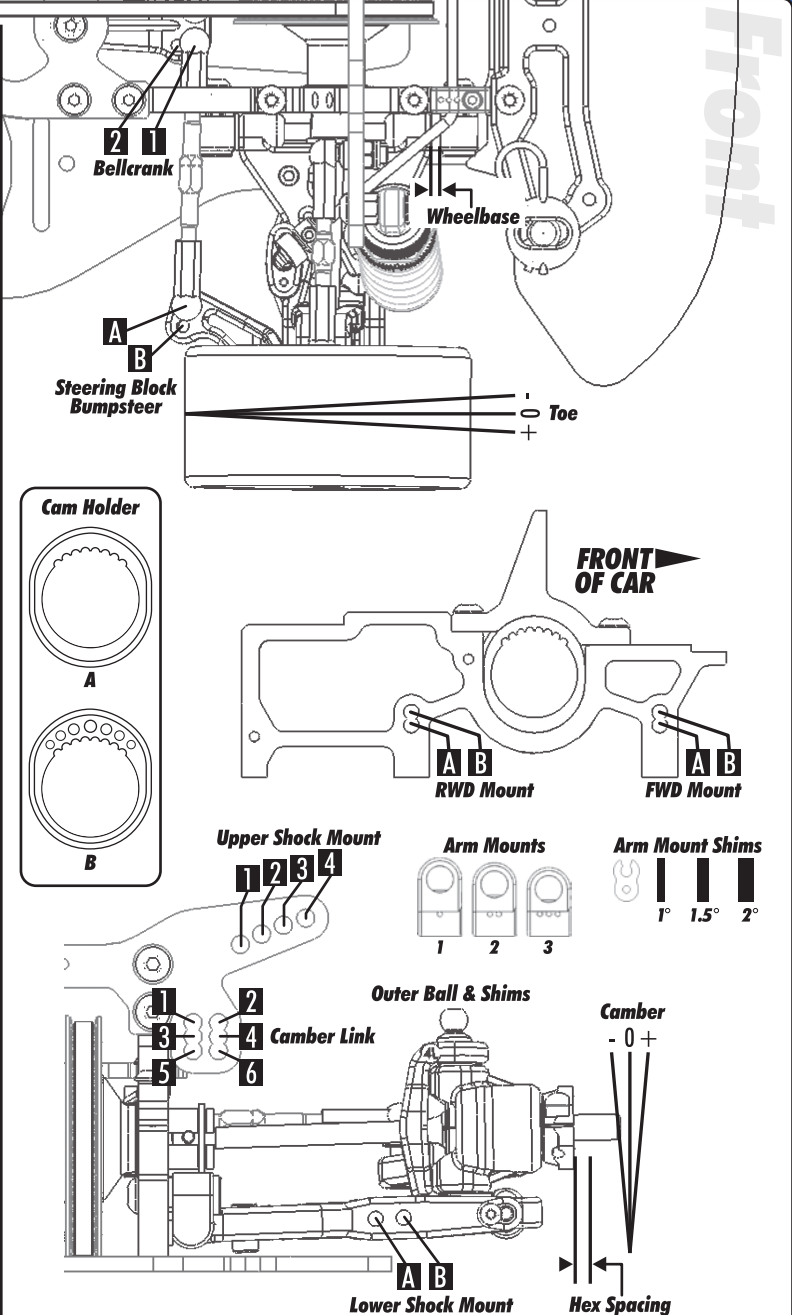
40wt	Shocks	40wt
#2	Oil	#2
10%	Piston	10%
Silver	Rebound	Gold
	Spring	

Notes:

Chassis:	ITF
Top Plate:	ITF
Notes:	4 O-Rings on top deck

	Suspension Geometry	
3B	Shock Position	2B
3A	Camber Link Position	3
Black-2mm	Outer Ball & Shims	Black-0
3A	FWD Arm Mount	2A
0	FWD Mount Shims	0
3A	RWD Arm Mount	3A
2°	RWD Mount Shims	0
5	Drop	5.5
N/A	Anti-Roll Bar	N/A

Notes:



**Body & Wing**  
 PROTOFORM MAZDA 6, L.W.

**Battery**  
 ORION 4200 6-CELL

Motor	Gear	Brush	Spring	Timing
ORION 7X1	27 / 114	SPRINT	OJ 3.8	4mm