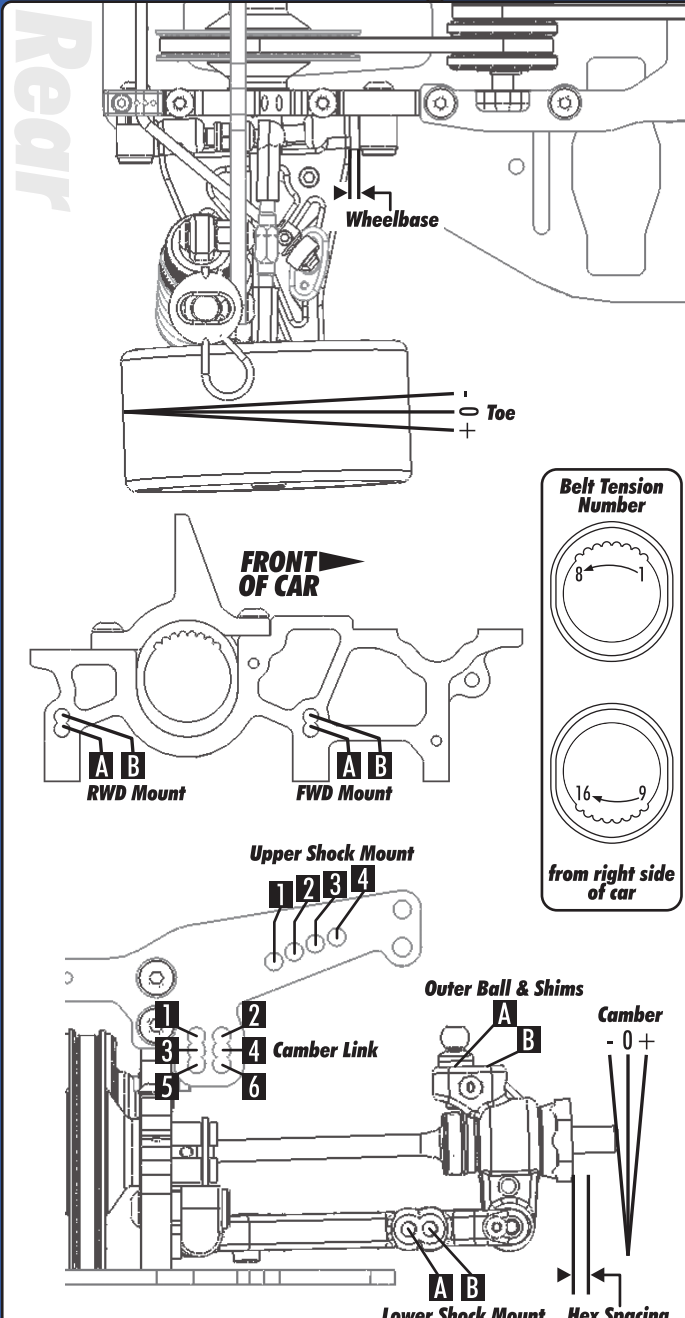


Name: BOB STELLFLUE
Event: REEDY TOURING CAR RACE
Conditions: OUTDOOR ASPHALT, RUBBER TIRES

Date: 5/27/07
Track: TAMIYA USA

For Team Driver's setups, please visit www.RC10.com, www.TeamAssociated.com or www.CompetitionX.com!



| Rear | Alignment | Front |
|-------------|---------------|-----------|
| 5.25mm | Ride Height | 5mm |
| -1.5° | Camber | -1.5° |
| N/A | Caster | 4° |
| -1° | Rear Hub Toe | N/A |
| -3° (total) | Toe | 0° |
| .75mm | Hex Spacing | --- |
| 2mm | Wheelbase | 2mm |
| N/A | Steering Link | 1A |
| N/A | Bumpsteer | Black+3mm |

Notes:

| Diff | Type | Spool |
|-----------|---------------------|-------|
| 1/8 loose | Setting | --- |
| 8 | Belt Tension Number | 11 |
| A | Cam Holder | A |

Notes:

| RP30 | Tires | RP30 |
|-------------|-------------------|-------------|
| --- | Tire Diameter | --- |
| --- | Insert & Wheel | --- |
| EA-Maranade | Additive & Amount | EA-Maranade |

Notes:

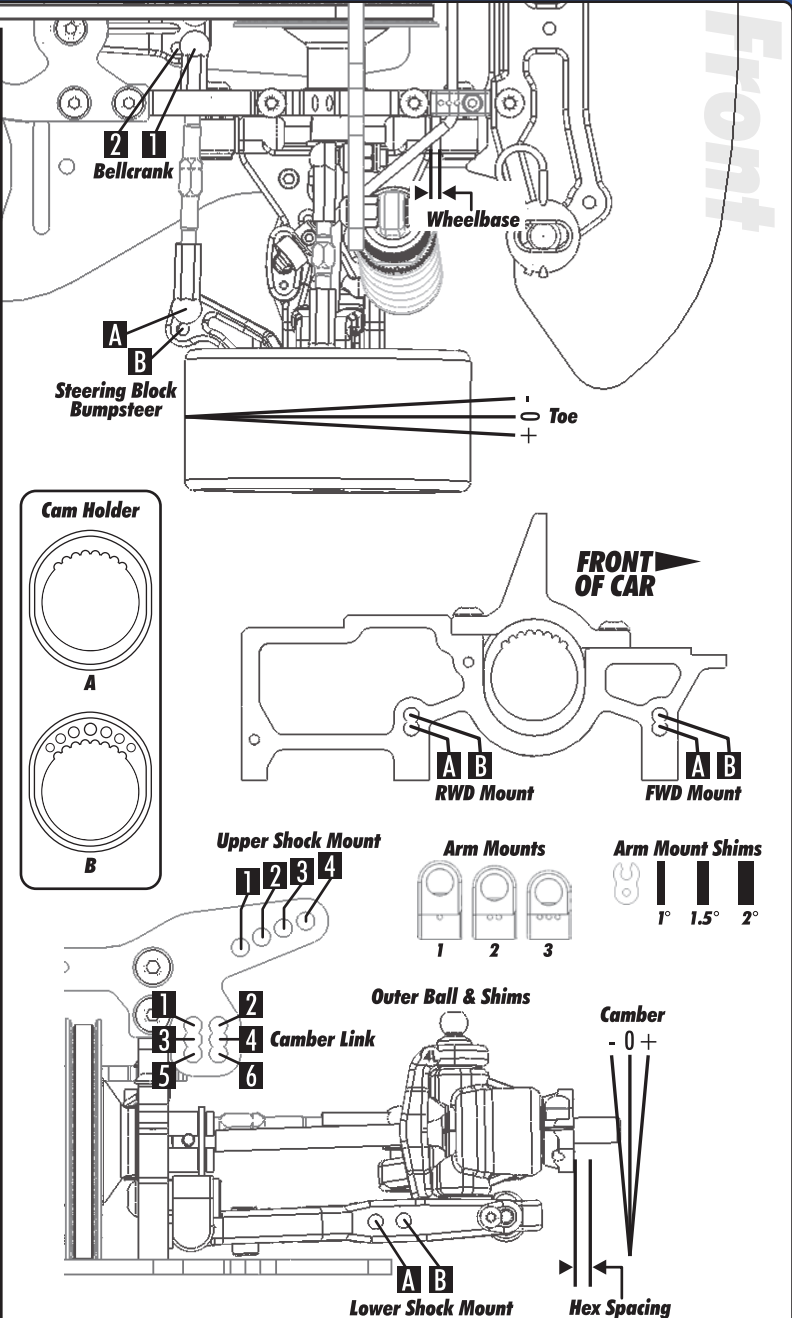
| 40wt | Shocks | 40wt |
|--------|---------|------|
| #2 | Piston | #2 |
| --- | Rebound | --- |
| Silver | Spring | Blue |

Notes:

| Chassis: | ITF |
|------------|------------------------------|
| Top Plate: | ITF |
| Notes: | 4 center screws have O-Rings |

| 3B | Suspension Geometry | 2B |
|-----------|----------------------|-------|
| 3A | Shock Position | 3 |
| Black+2mm | Camber Link Position | Black |
| 3A | Outer Ball & Shims | 2A |
| --- | FWD Arm Mount | 1° |
| 3A | FWD Mount Shims | 2A |
| 2° | RWD Arm Mount | --- |
| 4.5 | RWD Mount Shims | 5.5 |
| --- | Drop | --- |
| --- | Anti-Roll Bar | --- |

Notes:



Body & Wing
 MAZDA SPEED 6, STD WING

Battery
 REEDY 6-CELL

| Motor | Gear | Brush | Spring | Timing |
|-----------|--------|-------|-----------|--------|
| REEDY 19T | 114/41 | XXX | RED / RED | 0 |