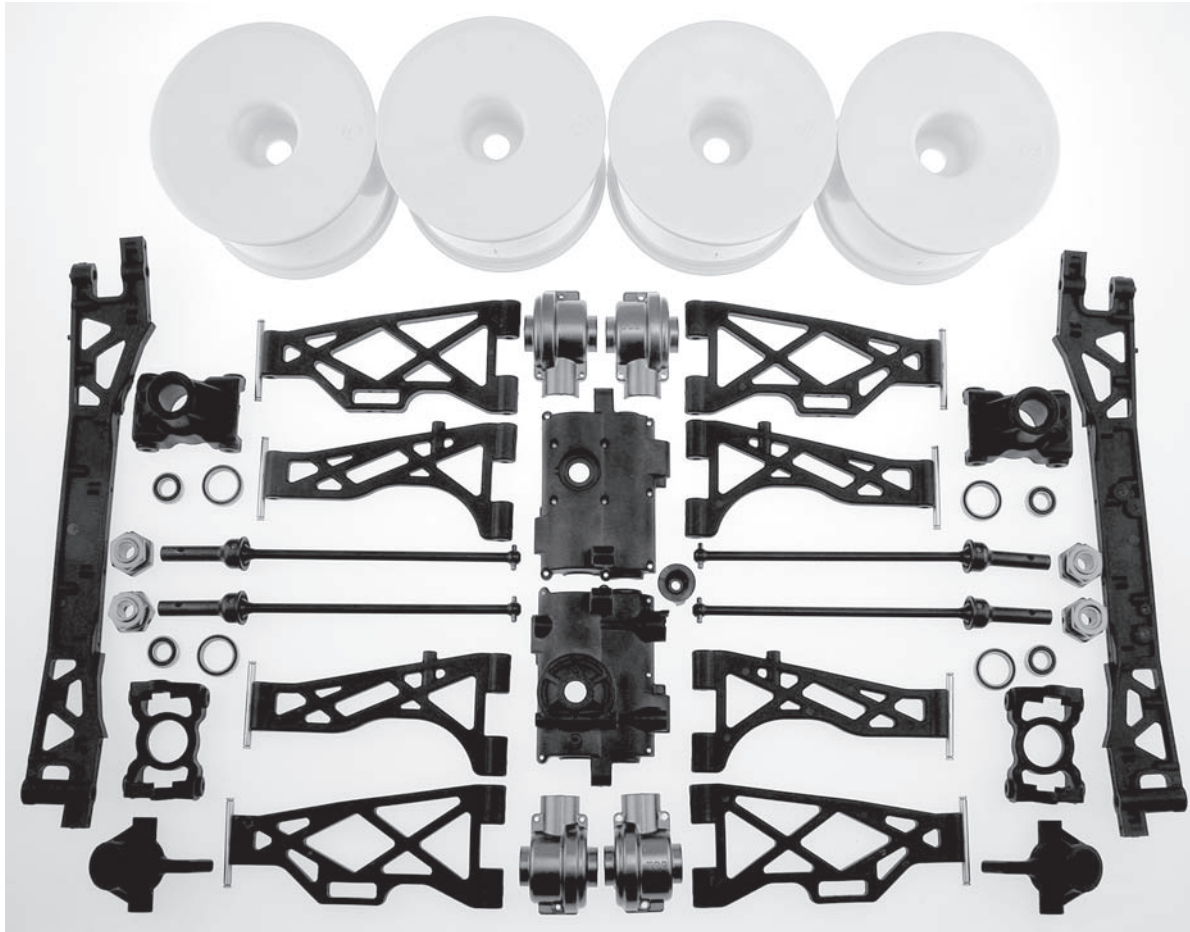


# LST

## Performance Update Kit



This performance update kit includes the most important revised and new parts developed for the LST2 that offer both increased durability and performance. This guide includes excerpts from the LST2 owners manual for your reference. Although you can install these parts in steps at different times we have found that taking the time to disassemble your LST and perform routine maintenance while changing out these parts yield the best results. If you wish to update your LST in steps we highly recommend that you start by installing the aluminum diff cases and servicing the diff when you change out the arms, carriers and CV Driveshafts. The transmission case and Hi/Low selector and the side rails/inner gear cover, although important, can be done at a later time. You can use any of the popular "40/420" series tires on the wheels included (Team Losi will have adaptors for the older 14mm hex wheels soon). Have fun tearing up the terrain with your beefed up LST.



Not Responsible For Errors. All prices subject to change without notice.

©Team Losi, A division of Horizon Hobby Inc.

800-0287 RT 11-01-05

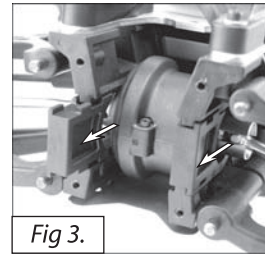
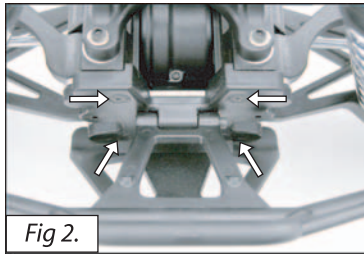
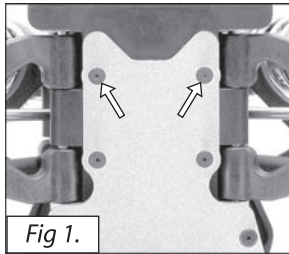
The LST Performance Update kit includes aluminum diff cases. While installing the diff cases, it is suggested that the differentials be serviced at the same time. Please follow the directions below replacing the plastic cases with the aluminum cases provided. **NOTE:** Depending on how much run time you have on your LST, you may want to install new gears (LOS B3538).

### Changing and Servicing the Differentials

The differentials should be serviced periodically. Be sure to clean and inspect all of the gears and replace if severely worn. Always use plenty of high-quality grease (like Team Losi LOSA3066) on all gears. **NOTE:** These can also be made into racing type viscous diffs as noted below. Always service one diff at a time and *pay close attention to install the housing with the "TOP" marking up so it can be seen looking down on the truck.*

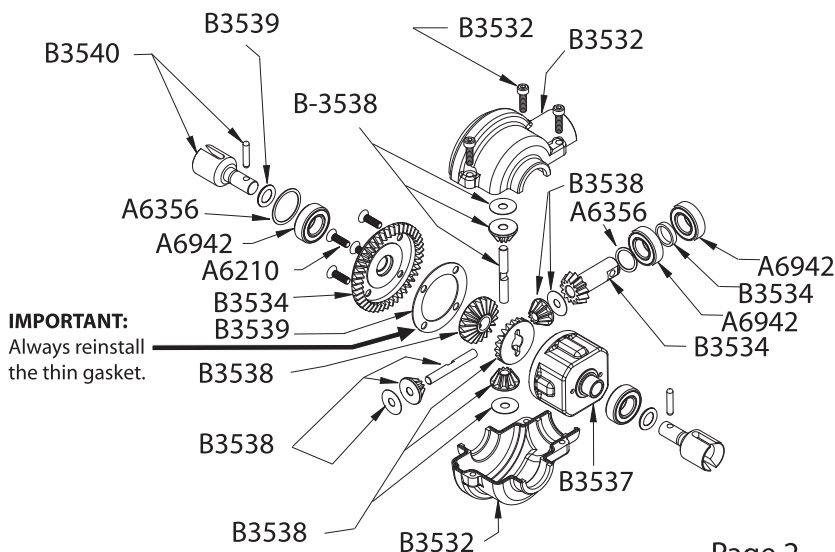
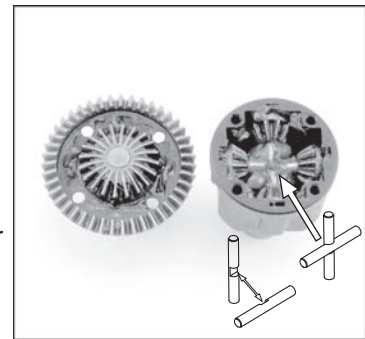
#### Removing the diffs

- Remove the two screws in the bottom at the extreme end of the chassis (fig1)
- Remove the four screws in the bulkhead allowing the bumper/skidplates and pin mounts to be removed (fig 2).
- Remove the diff retainers and slide the diff out (fig 3). **NOTE:** On the front end only you will have to remove the lower front shock attachment screws and swing the shocks up and out of the way. On the rear end you will need to "pop" off the rear camber links.



#### Diff Service

- Remove the three 5/64" cap head screws and the top of the differential housing, then the diff.
- Remove the four 5/64" flat head screws from the ring gear allowing it to be removed.
- Inspect the ring and pinion gears for wear - replace if necessary.
- Remove the cross shafts, bevel gears, and shims for the carrier.
- Clean and inspect all parts - replace as needed.
- Check all ball bearings. Clean or replace as necessary.
- Remove pins from outdrives. Remove outdrives, regrease and reinstall.
- Lube all shafts and gears with LOSA3066 assembly grease and reassemble.
- Load cross shafts with gears into the carrier with extra grease. Apply the rubber gasket to the carrier and reinstall ring gear.
- Lube ring and pinion with grease and reassemble diff into diff housing.
- Reinstall into chassis with "TOP" on housing facing up.



#### For Viscous Differential

Instead of grease you can use Silicone fluid in the differential for a limited slip feel as desired for racing. Simply fill the diff up to the top of the gears before replacing the ring gear. (Be sure to reinstall the rubber gasket). You may have to replace the o-rings on the outdrives at the same time you change to this type of differential if the old ones are worn. Popular silicone fluids for monster trucks are 25,000 and 50,000cs and are available at your local hobby dealer.



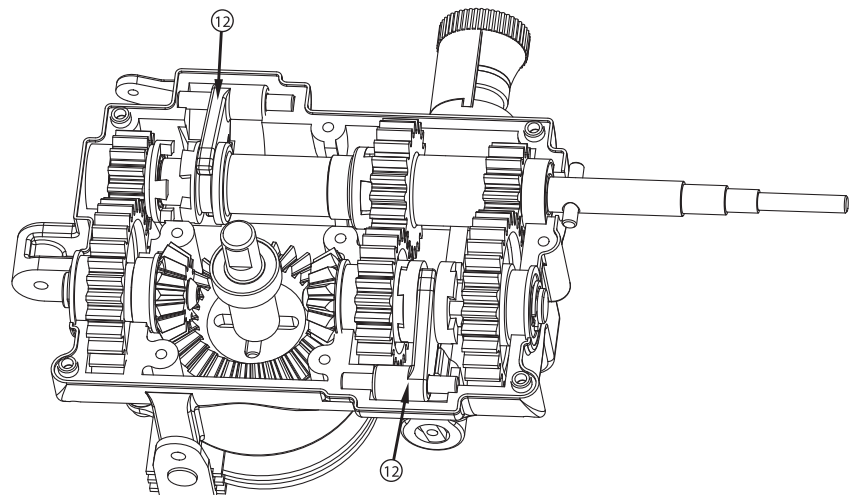
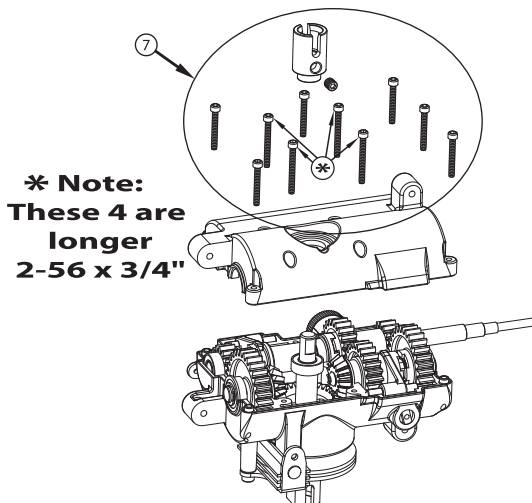
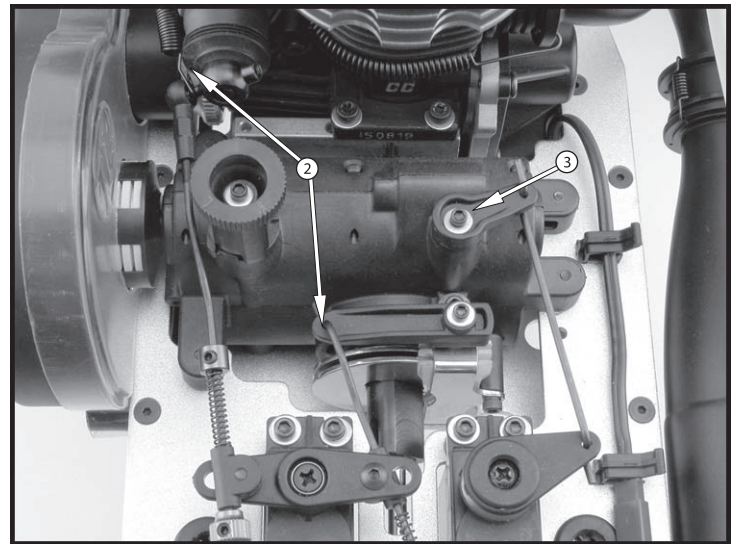
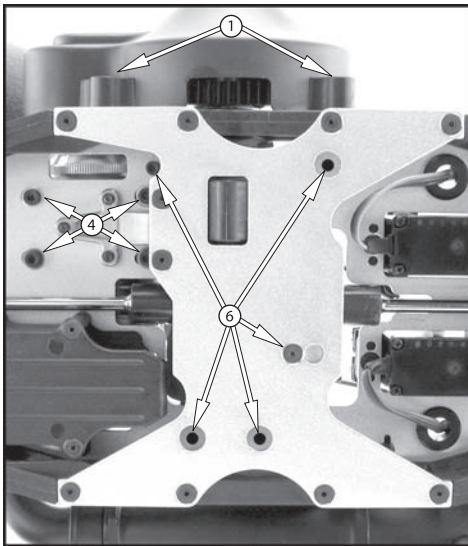
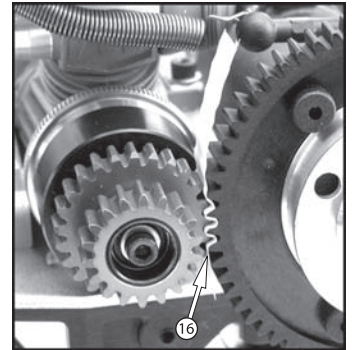
**NOTE: Install the revised Hi/Lo selector and transmission cases between step ⑦ and ⑧ following all steps thru ⑩.**

### Servicing the Transmission

The Transmission should also be cleaned and serviced periodically. All gears and shafts should be closely inspected for wear and replaced if necessary. Always use a high quality grease or lubricant to prevent premature wear and/or failure.

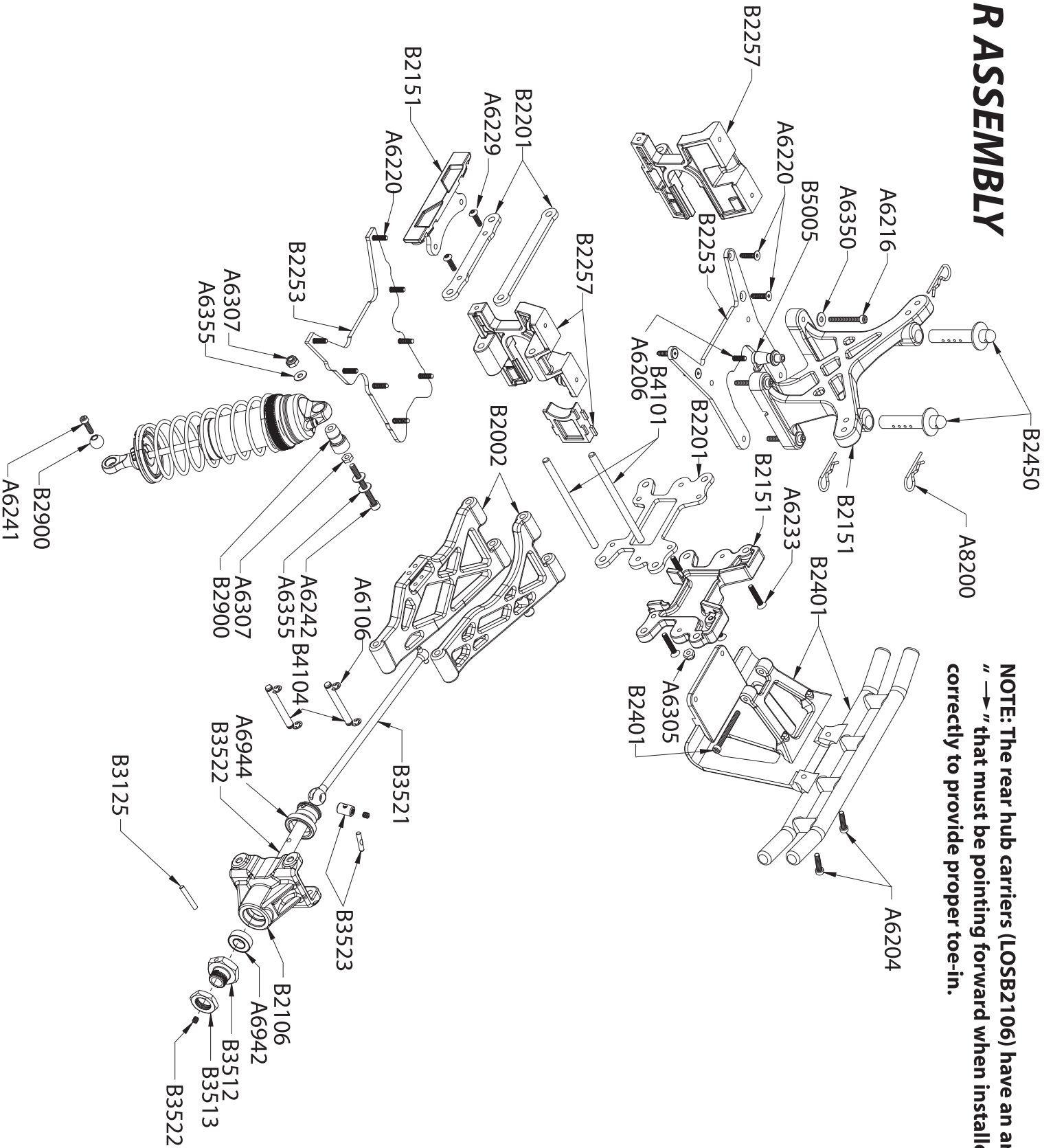
### Removing the transmission

- ① Remove the gear cover.
- ② Remove the throttle linkage from the carburetor and the brake linkage from the servo arm.
- ③ Remove the Forward/Reverse arm from the transmission.
- ④ Loosen the four motor mount screws (bottom of the chassis) and slide the motor back.
- ⑤ Remove 2-Speed Spur Gears and back gear cover.
- ⑥ Remove the five transmission mounting screws and lift the transmission out.
- ⑦ Remove the outdrive and ten 5/64 cap head screws. Remove the transmission case half.
- ⑧ Regrease the gears and shafts, inspecting each for wear.
- ⑨ Replace any worn or failed gears.
- ⑩ Wipe out the inside of the gear case, removing any debris, old grease and foreign matter.
- ⑪ Check all ball bearings for free movement cleaning or replacing as necessary.
- ⑫ Check for wear on shifting forks and replace as needed - NOTE: These can wear more than the gears.
- ⑬ Reinstall gears on the shafts lubing with LOSA3066 Team Losi Assembly Grease.
- ⑭ Reassemble the transmission lubricating liberally with LOSA3066 or similar hi-grade grease.
- ⑮ Make sure the setscrews in the outdrive cups are tightened - a thread locking compound is highly suggested.
- ⑯ Install the transmission in the chassis, reset the gear mesh by using a small piece of paper between the pinion and spur gears, applying pressure while retightening the engine. Reconnect all linkages and connections as necessary.



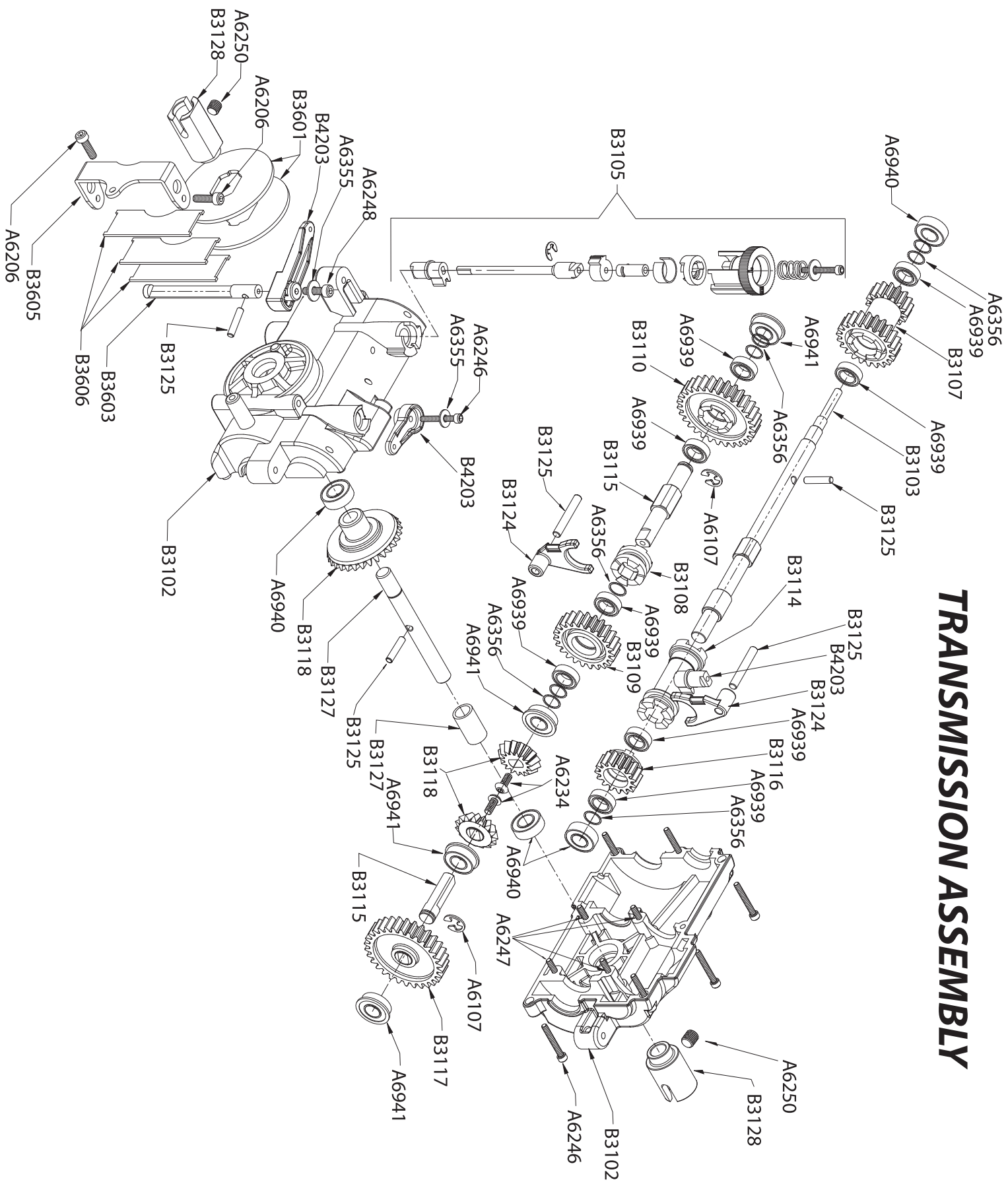


# REAR ASSEMBLY



**NOTE:** The rear hub carriers (LOS B2106) have an arrow "→" that must be pointing forward when installed correctly to provide proper toe-in.

# TRANSMISSION ASSEMBLY





# LST2 Parts List

## SUSPENSION PARTS

LOSB2002 F/R Suspension Arms (pr)(LST2).....	\$10.00
LOSB2102 Steering Bell Cranks, Shafts, & Chassis Braces (LST/2)...	\$7.00
LOSB2104 Front Spindles & Carriers (LST2).....	\$7.00
LOSB2106 Rear Hub Carriers (LST2).....	\$5.00
LOSB2151 F/R Shock Tower & Pin Mounts (LST/2).....	\$8.50
LOSB2201 F/R Suspension Pin Brace Set (AL) (LST/2).....	\$7.00

## Chassis Parts

LOSB2251 Main Chassis Plate (LST/2).....	\$26.99
LOSB2252 Chassis Skid Plate (LST/2).....	\$9.50
LOSB2253 Top & Brace Chassis Plates (LST/2).....	\$13.99
LOSB2254 Motor Plate/Chassis Brace (LST/2).....	\$6.00
LOSB2256 Chassis Side Rails (LST/2).....	\$8.50
LOSB2257 R&L Bulkheads & Diff Retainer (LST/2).....	\$6.00
LOSB2350 Radio Box & Hardware (LST/2).....	\$7.00
LOSB2351 Battery Mount Set (LST/2).....	\$5.50
LOSB2401 F/R Bumpers & Braces (LST/2).....	\$10.99
LOSB2450 F/R Body Mount Posts & Hardware (LST/2).....	\$3.50

## Shocks

LOSB2812 Shock Body (Blue) Threaded (LST2).....	\$11.99
LOSB2815 Shock Nut & Cap Molded (4) (LST2).....	\$9.00
LOSB2840 Shock Shaft (LST/2).....	\$5.00
LOSB2875 Shock Cartridges & Seals (2) (LST/2).....	\$6.00
LOSB2876 Shock Cart. & Cap O-Rings (8) (LST/2).....	\$3.00
LOSB2900 Shock Hardware-All Plastics (LST/2).....	\$6.50
LOSB2950 Shock Spring (Silver)(LST/2)(pr).....	\$6.50

## Transmission

LOSB3102 Transmission Case Set (LST/2).....	\$10.99
LOSB3103 Main Input Shaft (LST/2).....	\$5.50
LOSB3105 Hi/Low Selector Mechanism (LST2).....	\$8.50
LOSB3106 Hi/Low Selector Mechanism (LST).....	\$7.50
LOSB3107 Hi/Low Compound Gear (LST/2).....	\$14.99
LOSB3108 Hi/Low Selector Drive Dog (LST/2).....	\$18.99
LOSB3109 Hi Range Gear (LST/2).....	\$9.50
LOSB3110 Low Range Gear (LST/2).....	\$9.50
LOSB3114 FWD/REV Selector (LST/2).....	\$20.99
LOSB3115 FWD/REV Shaft Set (LST/2).....	\$6.50
LOSB3116 Reverse Pinion (LST/2).....	\$9.00
LOSB3117 Reverse Gear (LST/2).....	\$8.00
LOSB3118 FWD/REV Bevel Gear Set (LST/2).....	\$8.00
LOSB3124 Shift Forks (LST/2).....	\$3.00
LOSB3125 Trans Drive & Selector Pin Set (LST/2).....	\$2.00
LOSB3127 Trans Output Shaft & Spacer (LST/2).....	\$3.50
LOSB3128 Trans Outdrive Cup Set (LST/2).....	\$9.00
LOSB3190 Gear Cover (2-Speed)(LST/2).....	\$4.50
LOSB3193 Inside Gear Cover (LST2).....	\$5.50
LOSB4203 FWD/REV & Brake Arms (LST/2).....	\$3.00

## Clutch Parts

LOSB3301 Flywheel, Collet, & Nut (LST/2).....	\$10.99
LOSB3322 Clutch Spring Set (3) Silver (LST/2).....	\$3.00
LOSB3323 Aluminum Clutch Shoe & Spring Set (LST/2).....	\$19.99
LOSB3341 18T/25T One-Piece Clutch Bell -- Steel (LST/2).....	\$19.99

## 2-Speed & Slipper Parts

LOSB3401 2-Speed Cam & Bushings (LST/2).....	\$17.99
LOSB3404 2-Speed Clutch Shoes & Hardware (LST/2).....	\$3.50
LOSB3410 2-Speed Low Gear Hub w/One-Way (LST/2).....	\$22.99
LOSB3411 2-Speed Hi-Gear Hub w/Bearing (LST/2).....	\$16.99
LOSB3420 70T Spur Gear (1st)(LST) "Stock" (LST/2).....	\$4.00
LOSB3424 63T Spur Gear (2nd)(LST) "Stock" (LST/2).....	\$4.00
LOSB3450 Slipper Cage (LST/2).....	\$14.99
LOSB3451 Slipper Pads & Plates (LST/2).....	\$7.00
LOSB3455 2-Speed/Slipper Thrust Bearing & Hardware (LST/2).....	\$5.00

## Drive Train Parts

LOSB3512 20mm Wheel Hex Set - Blue (4) (LST2 Only).....	\$16.99
---	---------

LOSB3513 Wheel Nuts - Blue for 20mm Hex (LST2).....	\$4.00
LOSB3520 F/R Super-Duty Drive CV Shaft (pr)(LST2).....	\$39.99
LOSB3521 F/R Super-Duty Drive CV Shaft Only(LST2).....	\$12.99
LOSB3522 F/R Super-Duty CV Axle (LST2).....	\$7.00
LOSB3523 F/R Super-Duty CV Rebuild Set (pr)(LST2).....	\$7.50
LOSB3532 Aluminum Diff Cases -- Blue (LST/2).....	\$11.99
LOSB3534 F/R Diff Ring & Pinion (LST/2).....	\$26.99
LOSB3537 F/R Diff Housing (LST/2).....	\$4.00
LOSB3538 F/R Diff Bevel Gear Set (LST/2).....	\$7.00
LOSB3539 F/R Diff Seal Set (2) (LST/2).....	\$3.50
LOSB3540 F/R Diff Outdrive Set (LST/2).....	\$9.00
LOSB3541 F/R Diff Drive Yoke (LST/2).....	\$5.00
LOSB3545 Center CV Driveshaft (LST/2).....	\$10.99
LOSB3601 Brake Disks -- Steel(2)(LST/2).....	\$4.00
LOSB3603 Brake Cam (LST/2).....	\$3.00
LOSB3606 Hi-Performance Brake Pad Set (2)(LST/2).....	\$4.50

## Hardware

LOSA3045 Gear Cover Access Plug.....	\$1.50
LOSA4002 Antenna Tube & Cap.....	\$2.25
LOSA4003 Antenna Caps.....	\$1.25
LOSA6100 1/8" E-Clips.....	\$1.25
LOSA6103 3/32" E-Clips.....	\$1.25
LOSA6106 4mm E-Clips (12).....	\$2.00
LOSA6107 6mm E-Clips (12).....	\$2.00
LOSA6204 4-40 x 1/2" Caphead Screw (10).....	\$1.50
LOSA6205 4-40 x 3/4" Caphead Screw (10).....	\$1.50
LOSA6206 4-40 x 3/8" Caphead Screw (10).....	\$1.50
LOSA6210 4-40 x 3/8" Flathead Screw (10).....	\$1.50
LOSA6216 4-40 x 7/8" Caphead Screw (10).....	\$1.50
LOSA6220 4-40 x 1/2" Flathead Screw (10).....	\$1.50
LOSA6221 4-40 x 5/8" Caphead Screw (6).....	\$1.50
LOSA6227 4-40 Hardened Set Screw (10).....	\$1.80
LOSA6229 4-40 x 3/8" Buttonhead Screw (10).....	\$2.00
LOSA6232 2-56 x 1/4" Caphead Screw (10).....	\$2.50
LOSA6233 4-40 x 5/8" Flathead Screw (10).....	\$2.50
LOSA6234 4-40 x 1/4" Buttonhead Screw (10).....	\$2.50
LOSA6240 5-40 x 1/2" Caphead Screw (8).....	\$2.50
LOSA6241 5-40 x 5/8" Caphead Screw (8).....	\$2.50
LOSA6242 5-40 x 1 1/4" Caphead Screw (4).....	\$2.50
LOSA6244 Kingpin Screw (LST) (8).....	\$4.00
LOSA6245 4-40 x 5/16" Caphead Screw (10).....	\$2.00
LOSA6246 2-56 x 5/8" Caphead Screw (8).....	\$3.00
LOSA6247 2-56 x 3/4" Caphead Screw.....	\$3.00
LOSA6250 4mm & 5mm Set Screws (4 ea.).....	\$2.50
LOSA6252 3 x 10mm Button & Flathead Machine Screws.....	\$2.00
LOSA6307 5-40 Nuts -- Lock & Hex (4 ea.).....	\$2.00
LOSA6305 4-40 Steel Lock Nuts.....	\$3.50
LOSA6321 5mm Locknuts -- R & L Thread (4 ea.).....	\$4.00
LOSA6350 #4 & 1/8" Hardened Washers.....	\$2.50
LOSA6355 2.2 & 3.6mm Washers (6 ea.).....	\$2.00
LOSA6356 5 & 6mm Shim Set.....	\$2.00
LOSA6907 5 x 8mm Shielded Ball Bearing.....	\$6.50
LOSA6937 5 x 10mm Shielded Ball Bearings (2).....	\$5.00
LOSA6939 6 x 10mm Shielded Ball Bearings (4).....	\$8.00
LOSA6940 6 x 12mm Shielded Ball Bearings (4).....	\$8.00
LOSA6941 6 x 12mm Flanged Ball Bearings (4).....	\$13.99
LOSA6942 8 x 16mm Sealed Ball Bearings (4).....	\$8.00
LOSA6944 15 x 21 x 4mm Shielded Ball Bearings.....	\$7.00
LOSA8200 Body Clips.....	\$1.25
LOSB4001 93mm Turnbuckle Set w/Ends (2)(LST).....	\$5.50
LOSB4104 Pivot Pin Set (4 ea.)(LST2).....	\$11.99
LOSB4020 Rod Ends & Pivot Balls (8)(LST).....	\$7.00
LOSB4104 Pivot Pin Set (4 ea.)(LST2).....	\$11.99
LOSB4201 Steering Hardware Set (LST/2).....	\$7.50
LOSB4204 Throttle, Brake, Reverse Linkage Set (LST2).....	\$6.00
LOSB4250 Servo Saver & Mount Set (LST/2).....	\$10.99
LOSB4602 Tool Set (LST2).....	\$4.50
LOSB4603 4-Way Wrench (Steel).....	\$6.00

## Motor Accessories

LOSB5002 High Capacity Fuel Tank (LST/2).....	\$15.99
LOSB5003 Fuel Tank Lid & Spring (LST/2).....	\$4.00

# LST2 Parts List

LOSB5005 Fuel Tank Mounts & Hardware (LST/2).....	\$3.75
LOSB5006 Fuel Filter -- Hi Volume Aluminum (LST/2) .....	\$8.95
LOSB5020 Air Cleaner w/Oil (LST/2) .....	\$11.99
LOSB5021 Air Cleaner Foam Set (LST/2) .....	\$6.99
LOSB5030 Engine Mounts (LST/2) .....	\$10.99
LOSB5050 Exhaust Header (RE) & Springs (LST/2) .....	\$17.99
LOSB5051 Exhaust Header Seals & Springs (2)(LST/2) .....	\$6.00
LOSB5054 Exhaust Pipe Seals & Springs (LST/2) .....	\$6.00
LOSB5056 Tuned Pipe Mount & Hardware (LST/2).....	\$2.50
LOSB5059 "HT" Tuned Pipe (LST2).....	\$39.99
LOSB5100 Spin-Start Hand Held Starter (LST/2) .....	\$44.99
LOSB5102 Spin-Start Motor & Battery Leads (LST/2) .....	\$16.99
LOSB5103 Spin-Start Mechanics (LST/2).....	\$22.99
LOSB5104 Spin-Start Hex Starter Shaft (LST/2) .....	\$5.00
LOSB5105 Spin-Start Hand Strap & Pin (LST/2) .....	\$5.00
LOSB5106 Spin-Start Case & Switch Set (LST/2) .....	\$8.00
LOSB5108 Spin-Start Drive Gear (Metal) (LST/2) .....	\$3.00
LOSB5111 Spin-Start .21 - 427 Backplate (LST/2).....	\$6.00
LOSA9315 Fuel Tubing (24").....	\$2.50

## Wheels & Tires

LOSB7010 420 Series Dish Wheels -- White (pr)(LST2) .....	\$12.00
LOSB7202 420 "ATX" Tires w/Foam (pr)(LST2).....	\$29.99
LOSB7221 Foam Tires Inserts -- Firm (pr)(LST/2).....	\$8.00
LOSB7402 420 Series Wheels (White) w/"ATX" Tires (pr)(LST2).....	\$44.99

## Bodies & Accessories

LOSB8011 LST2 Body Painted Grey w/Stickers & Masks.....	\$49.99
LOSB8202 LST2 Sticker Sheet .....	\$5.00

## OPTION PARTS

### Suspension Parts

LOSB2221 Sway Bar Kit (LST/2) .....	\$14.99
-------------------------------------	---------

### Chassis Parts

LOSB2260 Heavy Duty Chassis Plate - Hard Ano. (LST/2) .....	\$49.99
LOSB2261 Heavy Duty Chassis Skid Plate - Hard Ano. (LST/2) .....	\$24.99
LOSB2262 Heavy Duty Chassis Top Plate - Hard Ano. (LST/2).....	\$16.99
LOSB2263 Heavy Duty Front Bottom Plate - Hard Ano. (LST/2) .....	\$16.99
LOSB2264 Heavy Duty Rear Bottom Plate - Hard Ano. (LST/2).....	\$18.99
LOSB2270 Hi.-Perf Graphite Chassis Plate - (LST/2).....	\$109.99
LOSB2271 Hi-Perf Aluminum Skid Plate - Hard Ano. (LST/2).....	\$24.99
LOSB2272 Hi-Perf Graphite Top Plate (LST/2) .....	\$36.99
LOSB2273 Hi-Perf Alum. Front Bottom Plate - Hard Ano. (LST/2).....	\$18.99
LOSB2274 Hi-Perf Alum. Rear Bottom Plate - Hard Ano. (LST/2) .....	\$18.99
LOSB2451 Extra Long Body Mounts (LST/2).....	\$4.50

### Shocks

LOSB2801 Shock Body - Blue (LST/2) .....	\$11.99
LOSB2802 Shock Cap - Blue (LST/2) .....	\$8.00
LOSB2803 Shock Body - Red (LST/2) .....	\$11.99
LOSB2804 Shock Cap - Red (LST/2).....	\$8.00
LOSB2805 Shock Body - Gold (LST/2).....	\$11.99
LOSB2806 Shock Cap - Gold (LST/2).....	\$8.00
LOSB2807 Shock Body & Cap Set - Red (4) (LST/2) .....	\$68.99
LOSB2808 Shock Body & Cap Set - Gold (4) (LST/2) .....	\$68.99
LOSB2811 Threaded Shock Body - Hard Anodized (LST/2).....	\$12.99
LOSB2813 Shock Adjuster Nut - Blue Aluminum (LST/2) .....	\$6.00
LOSB2814 Hard Ano. Threaded Shock Body & Adj. Set (4) (LST/2) .....	\$58.99
LOSB2841 Titanium Nitride Shock Shaft (LST/2).....	\$7.50
LOSB2879 Assembled Threaded Shock w/Spring (Blue) (LST2) .....	\$34.99
LOSB2901 Shock Pivot Balls - Hard Ano. Aluminum (4) (LST/2).....	\$7.50
LOSB2949 Shock Springs - White 4.0 lb Rate (pr) (LST/2) .....	\$6.50
LOSB2951 Shock Springs - Black 6.0 lb Rate (pr) (LST/2).....	\$6.50
LOSB2952 Shock Springs - Yellow 7.4 lb Rate (pr) (LST/2) .....	\$6.50

## Transmission

LOSB3130 Fwd. Only Transmission Conversion Kit (LST/2) .....	\$26.99
LOSB3132 Fwd. Only Input Shaft Set (LST/2) .....	\$5.50
LOSB3133 Fwd. Only Input Gear 22t (LST/2) .....	\$9.00
LOSB3135 Fwd. Only Counter Shaft Set (LST/2) .....	\$3.50
LOSB3136 Fwd. Only Counter Gear 23T TiNi (LST/2).....	\$9.99
LOSB3138 Fwd. Only Trans Plug Set (LST/2) .....	\$3.50

## Clutch Parts

LOSB3340 Clutch Bell Only 2-Speed (Threaded) (LST/2) .....	\$10.00
LOSB3350 18T Steel Pinion (LST/2).....	\$5.00
LOSB3351 18T Steel Pinion w/ Ti-Nitride (LST/2).....	\$14.99
LOSB3356 25T Steel Pinion (LST/2).....	\$5.00
LOSB3357 25T Steel Pinion w/Ti-Nitride (LST/2).....	\$14.99

## 2-Speed & Slipper Parts

LOSB3428 2-Speed Steel/Ti-Nitride Gear Conversion (LST/2).....	\$79.99
LOSB3429 70T Steel Spur w/Ti-Nitride (1st) (LST/2).....	\$33.99
LOSB3430 63T Steel Spur w/Ti-Nitride (2nd) (LST/2).....	\$25.99
LOSB3431 Drive Rings for 70T Steel Spur (2).....	\$2.00

## Drivetrain Parts

LOSB3531 Aluminum Diff Cases - Polished (LST/2).....	\$10.00
--	---------

## Hardware

LOSB4021 Pivot Balls - Hard Anodized Aluminum (4) (LST/2) .....	\$8.00
LOSB4102 Titanium Nitride Inner Hinge Pins (2) (LST/2) .....	\$8.00
LOSB4105 Titanium Nitride Outer Hinge Pins (2) (LST/2) .....	\$8.00

## Motor Accessories

LOSB5031 Finned Engine Mounts - Hard Ano. Aluminum (LST/2) .....	\$12.99
LOSB5055 Tuned Exhaust Pipe (LST).....	\$39.99
LOSB5057 Tuned Pipe & Header - Polished (LST/2).....	\$69.99
LOSB5058 Tuned Pipe & Header - Hard Anodized (LST/2).....	\$74.99
LOSB5060 "HT" Tuned Pipe & Header - Polished (LST/2) .....	\$69.99
LOSB5061 "HT" Tuned Pipe & Header - Hard Anodized (LST/2).....	\$74.99

## Wheels & Tires

LOSB7011 420 Series Dish Wheel - Yellow (LST2) .....	\$12.00
LOSB7221 Foam Tire Inserts -- Firm(pr) (LST/2).....	\$8.00
LOSB7222 Foam Inserts - 2 Stage (LST/2) .....	\$12.99

## Body & Accessories

LOSB8001 LST Body Painted Blue w/Stickers.....	\$49.99
LOSB8002 LST Body Painted Red w/Stickers .....	\$49.99
LOSB8003 LST Body Clear w/Sticker & Masks .....	\$29.99
LOSB8005 LST "Racer" Clear Body w/Stickers & Masks.....	\$30.99
LOSB8012 LST2 Body Painted Red w/Stickers .....	\$49.99
LOSB8014 LST2 Body Clear w/Stickers .....	\$34.99
LOSB8201 LST Sticker Sheet .....	\$5.00

## Receiver Pack

LOSB9950 5 Cell 6V 1100 mAh Ni-MH Receiver Pack (LST/2).....	\$31.99
--	---------

## Misc.

DYN1432 5 Cell Ni-MH (flat) Receiver Pack w/Charger.....	\$39.99
--	---------