

Name: SUPER DIALED SETUP!

Date: _____ Event: _____

City: _____ State: _____

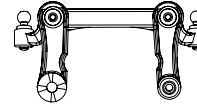
Track: _____

Track Indoor Tight Smooth Hard Packed Blue Groove Wet Low Bite High Bite
 Conditions Outdoor Open Rough Loose/Loamy Dry Dusty Med Bite Other _____

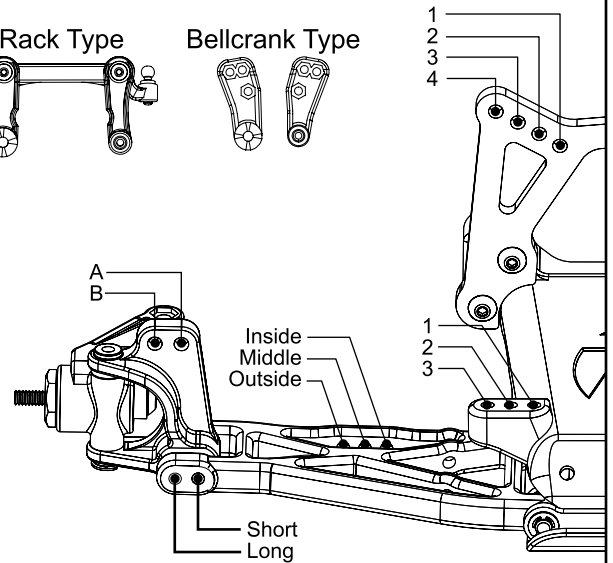
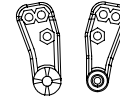
Front Suspension

Toe: 0°
 Ride Height: 24mm, Arms level
 Camber: -1°
 Caster: 30°
 Sway Bar: No
 Oil: 27.5wt.
 Piston: #56
 Spring: Orange
 Limiters: None
 Spindle Height: Bottom
 Axle Spacer: Narrow
 Steering Type: Rack
 Bump Steer: None
 Camber Link: 3-B, 1-Ball Stud Washer
 Shock Location: 3-Middle
 VLA: Short
 Front Wing: Yes, on Tower

Rack Type



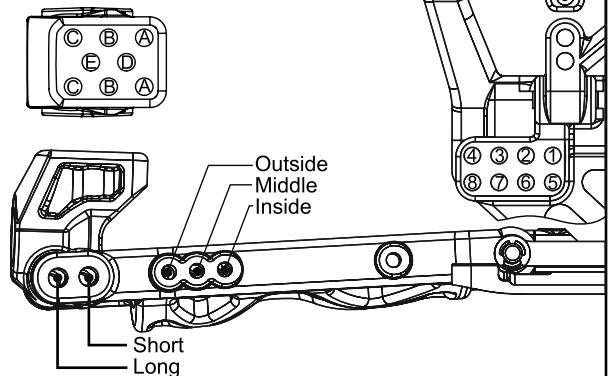
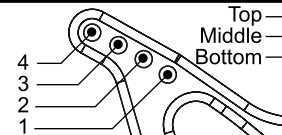
Bellcrank Type



Notes: _____

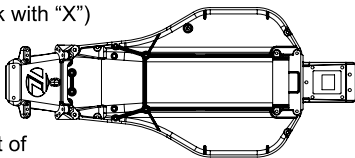
Rear Suspension

Toe: 3° Pivot, 0° Hubs
 Pivot Support: 2°
 Ride Height: 23mm, Dogbones just under level
 Camber: -1°
 Rear Hub Spacing: Center
 Drive Shafts/Outdrives: Steel Dogbones, Steel w/Shims
 Sway Bar: None
 Oil: 27.5wt.
 Piston: #56
 Spring: Pink
 Limiters: .170" (1-"A" Spacer (.120"), 1-1/32" (.030") Spacer
 Camber Link: 2-B, 3 Ball Stud Washers
 Shock Location: 1-Inside
 VLA: Short
 Wing Position/Mount: Standard/Middle
 Body & Wing Type: XXX-CR
 Battery Position: Forward



Notes: _____

Weight Placement
 (Mark with "X")



Weight of each piece _____ oz.

Tires: Type _____ Compound _____ Insert _____ Additive _____ Motor: _____
 Front: X-Wide Body Red Standard _____ Spur: 78T
 Rear: Big Shot Red Standard _____ Pinon: _____

Notes: Trim inside corners of Foam inserts.