



Setup Sheet

Driver: _____

Date: _____

Track: _____

- Indoor
- Outdoor

- Carpet
- Concrete
- Asphalt

- Sealed
- Smooth
- Rough

Front Suspension (Circle or Check the Appropriate Settings)

In
Toe Out _____ °

Ride Height _____

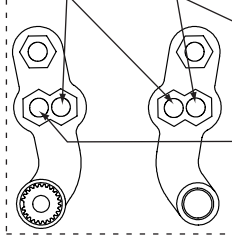
Camber - _____ °
 + _____ °

Caster Stock _____ °
 Other _____ °

Sway Bar No
 Yes size _____

Steering Bellcranks

Inner Outer



Rod Length

Stock
 Other _____

Front Shocks

Oil: _____

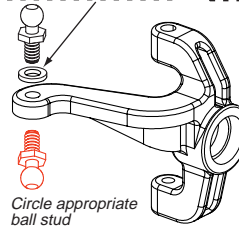
Piston: _____ Standard / Drilled

Spring: _____

Limiters: Inside- _____ Outside- _____

of washers _____

Hole in Carrier
 Top
 Bottom



Circle appropriate ball stud

of washers _____

Inside
 Outside

Notes:

Rear Suspension

Inside
Toe-In Outside _____ °

Ride Height _____

Camber - _____ °
 + _____ °

Pivot Support _____ No Shim
 Shim Under Front Shim Under Rear

Sway Bar No
 Yes size _____

Notes:

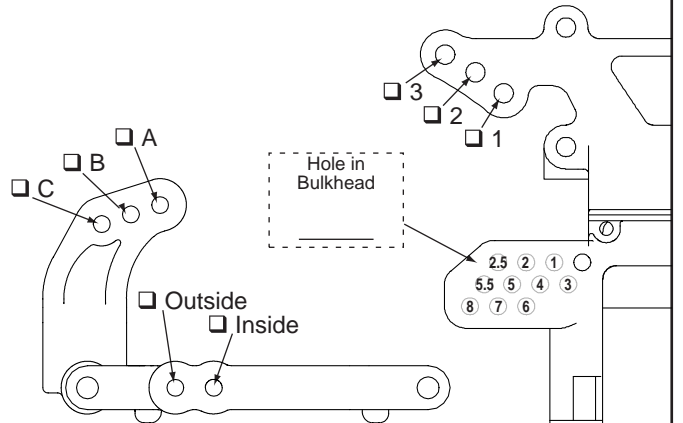
Rear Shocks

Oil: _____

Piston: _____ Standard / Drilled

Spring: _____

Limiters: Inside- _____ Outside- _____



Hole in Bulkhead

Outside
 Inside

Tires _____ Compound _____ Foam _____ Length _____

Front: _____

Rear: _____

Clicker Adjustment: Locked One-Way: _____

Battery Placement: Back Forward Other: _____

Transponder Position: _____

Notes: _____

Motor: _____

Pinion: _____

Spur: _____

Tire Diameter: _____

Body: _____

Wing: _____

Size: _____