



SETUP SHEET

Driver: _____

Date: _____

Track:

Indoor

Outdoor

Tight / Open

Carpet

Concrete

Asphalt

Sealed

Smooth

Rough

FRONT SUSPENSION

(Circle or Check the Appropriate Settings)

In
Toe Out _____

Ride Height _____

-
Camber + _____

Caster:

Kickup _____

Antidive _____

Carrier _____

No
Sway Bar Yes size _____

Droop Height: _____

Pivot Support: _____

Arm Spacing

FWD

MDL

BACK

Ackerman Position

Forward

Back

Camber
Ball Stud:

(Chrome)

(Black)

Front Drive:

Diff

One-Way

Spool

Standard 42F 42R

Overdrive 41F 42R

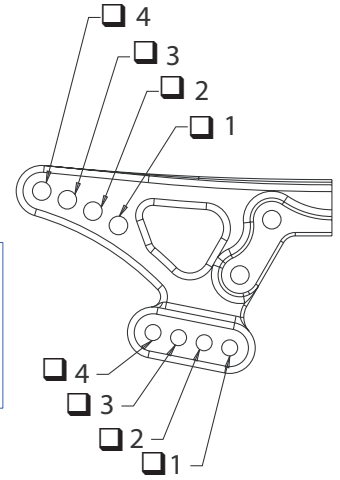
Underdrive 42F 41R

of washers under steering/
tie-rod ball studs

Spindle ball stud: _____

Bellcrank ball stud: _____

and size of washers
under camber ball stud _____



RollCenter:

High Low

Other _____

Front Shocks

Oil: _____ Shock Length: _____

Piston: _____ Standard / Drilled

Spring: _____

Limiters: Inside _____ Outside _____

NOTES: _____

REAR SUSPENSION

In
Toe Out _____

Ride Height _____

-
Camber + _____

No
Sway Bar Yes size _____

Droop Height: _____

Pivot Support: _____

and size of washers
under camber ball stud _____

Arm Spacing

FWD

MDL

BACK

Camber
Ball Stud:

(Chrome)

(Black)

B

A

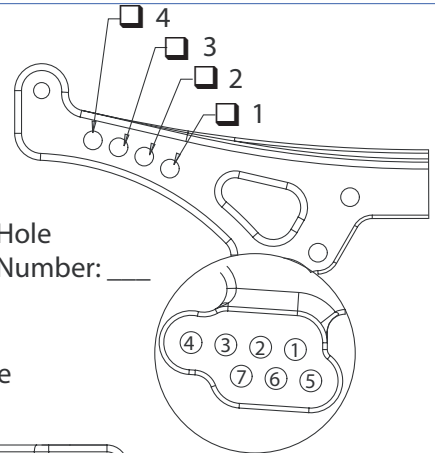
Outside

Inside

Off-set

Standard

Hole
Number: _____



RollCenter:

High Low

Other _____

Rear Shocks

Oil: _____ Shock Length: _____

Piston: _____ Standard / Drilled

Spring: _____

Limiters: Inside _____ Outside _____

NOTES: _____

Tires:

Front: _____ _____ _____ Compound _____ _____ Insert _____ _____ Wheel _____ _____ Tire Dia. _____ _____ Vehicle Weight

Rear: _____

Battery Placement: Back Forward Split: #Fwd _____ #Back _____ Tire Additive: _____

Transponder Position: _____

Notes: _____

Motor: _____

Pinion: _____ / _____

Spur: _____

Body: _____

Body Height: _____

Wing: _____