



SETUP SHEET

Driver: _____

Date: _____

Track:

Indoor

Outdoor

Tight / Open

Carpet

Concrete

Asphalt

Sealed

Smooth

Rough

FRONT SUSPENSION

(Circle or Check the Appropriate Settings)

In
Toe Out _____

Ride Height _____

-
Camber + _____

Kickup _____

Caster Carrier _____

No
Sway Bar Yes size _____

Droop Height: _____

Pivot Support: _____

Arm Spacing

FWD

MDL

BACK

Front Drive:

Diff

One-Way

Standard

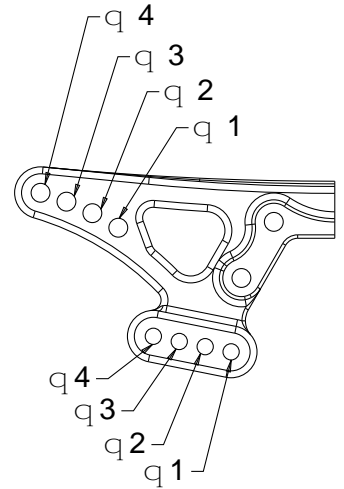
Overdrive

Underdrive

of washers under steering/
tie-rod ball studs

Spindle ball stud: _____

Bellcrank ball stud: _____



Front Shocks

Oil: _____

Piston: _____ Standard / Drilled

Spring: _____

Limiters: Inside _____ Outside _____

NOTES:

REAR SUSPENSION

In
Toe Out _____

Ride Height _____

-
Camber + _____

No
Sway Bar Yes size _____

Droop Height: _____

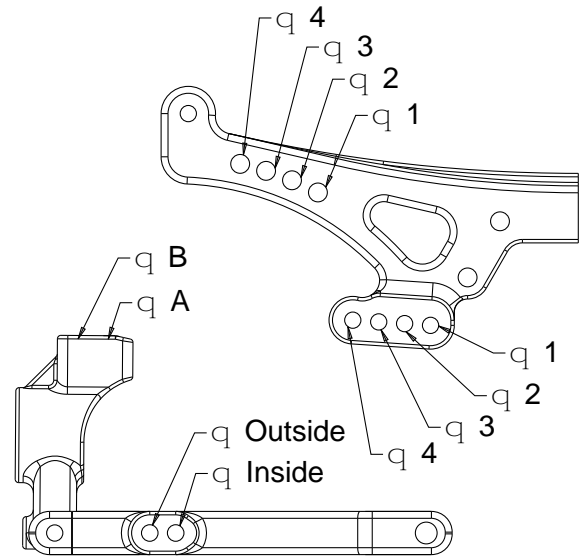
Pivot Support: _____

Arm Spacing

FWD

MDL

BACK



Rear Shocks

Oil: _____

Piston: _____ Standard / Drilled

Spring: _____

Limiters: Inside _____ Outside _____

NOTES:

Tires:

Compound

Foam

Length

Motor: _____

Front: _____

Pinion: _____

Rear: _____

Spur: _____

Battery Placement: Back Forward Other: _____

Tire Diameter: _____

Transponder Position: _____

Body: _____

Notes: _____

Body Height: _____