



Setup Sheet

Track: _____

Driver: _____

- | | | |
|--|---------------------------------|--------------------------------------|
| <input type="checkbox"/> Indoor | <input type="checkbox"/> Smooth | <input type="checkbox"/> Slippery |
| <input type="checkbox"/> Outdoor | <input type="checkbox"/> Rough | <input type="checkbox"/> High-Bite |
| <input type="checkbox"/> Tight / <input type="checkbox"/> Open | | <input type="checkbox"/> Blue-Groove |

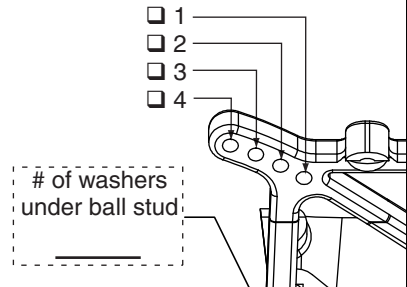
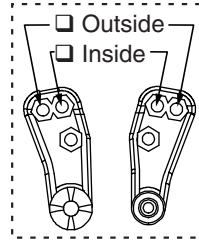
Date: _____

FRONT SUSPENSION

(Circle or Check the Appropriate Settings)

- Toe In _____ °
 Out _____ °
- Ride Height _____
- Camber - _____ °
 + _____ °
- Caster Stock _____ °
 Other _____ °
- Sway Bar No
 Yes size _____

of washers under steering / tie-rod ball studs
 Spindle ball stud: _____
 Bellcrank ball stud: _____

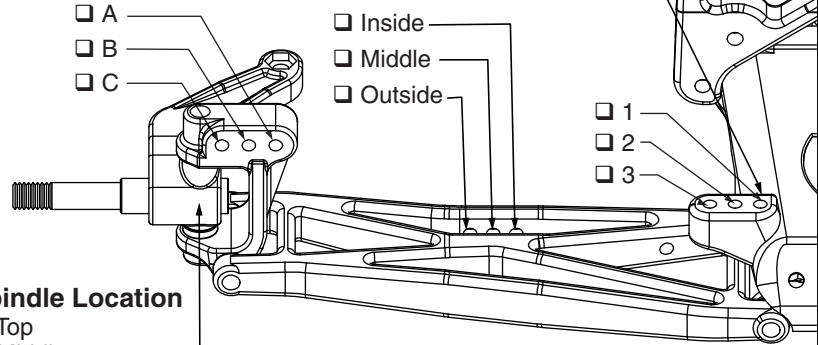


Front Shocks

- Oil: _____
- Piston: _____ Standard / Drilled
- Spring: _____
- Limiters: Inside- _____ Outside- _____

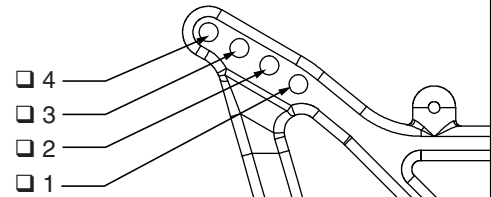
Spindle Location

- Top
 Middle
 Bottom



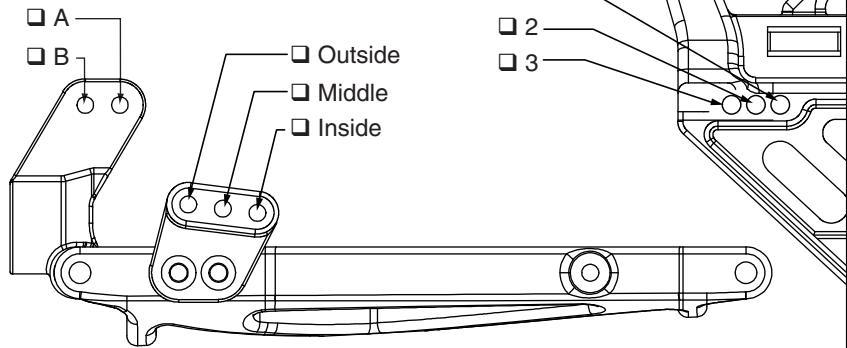
REAR SUSPENSION

- Toe-In Inside _____ °
 Outside _____ °
- Pivot Support _____ No Shim
 Shim Under Front
 Shim Under Rear } # of shims: _____
- Ride Height _____
- Camber - _____ °
 + _____ °
- Drive Shafts Dogbones Aluminum
 CVDs Steel
- Rear Hub Spacing Forward
 Center
 Rear
- Outdrives Steel
 Plastic
- Sway Bar No
 Yes size _____



Rear Shocks

- Oil: _____
- Piston: _____ Standard / Drilled
- Spring: _____
- Limiters: Inside- _____ Outside- _____



Tires
 Front: _____ Compound _____ Foam _____
 Rear: _____ Compound _____ Foam _____

Motor: _____ Pinion/Spur: / _____
 Battery Position: _____

Notes: _____