



Setup Sheet

Track: _____

Driver: _____

Indoor
 Outdoor

Smooth
 Rough

Slippery
 High-Bite
 Blue-Groove

Hard Packed
 Loose/Loamy

Date: _____

Tight
 Open

Wet
 Dry

Weather: Sunny-90 deg

FRONT SUSPENSION

(Circle or Check the Appropriate Settings)

Toe In _____ °
 Out _____ °

Ride Height _____

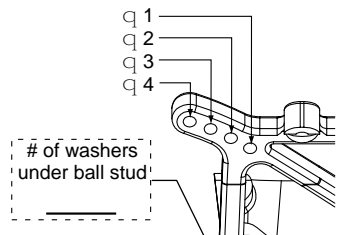
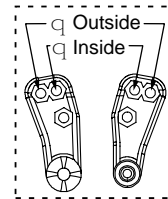
Camber - _____ °
 + _____ °

Caster Stock _____ °
 Other _____ °

Sway Bar No
 Yes size _____

of washers under steering / tie-rod ball studs
Spindle ball stud: _____
Bellcrank ball stud: _____

Servo Position: Front
Back



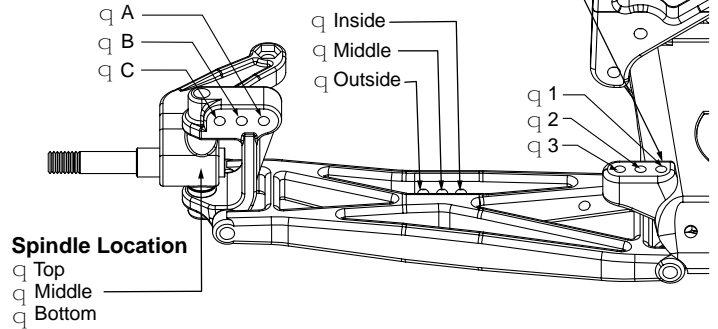
Front Shocks

Oil: _____

Piston: _____ Standard / Drilled

Spring: _____

Limiters: Inside- _____ Outside- _____



REAR SUSPENSION

Toe-In Inside _____ °
 Outside _____ °

Pivot Support _____ No Shim
 Shim Under Front > # of shims: _____
 Shim Under Rear

Ride Height _____

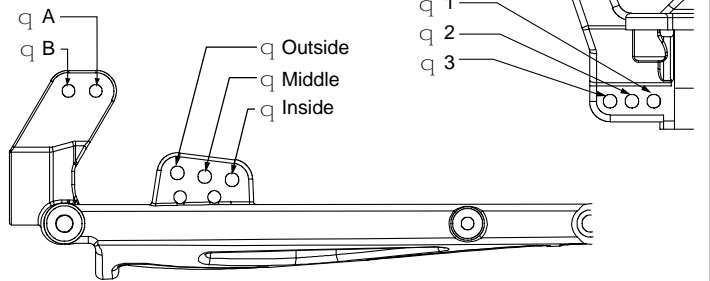
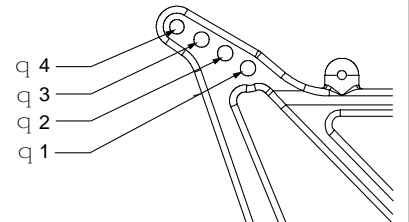
Camber - _____ °
 + _____ °

Rear Hub Spacing Forward
 Center
 Rear

Sway Bar No
 Yes size _____

Drive Shafts Dogbones Aluminum
 CVDs Steel

Outdrives Steel
 Plastic



Rear Shocks

Oil: _____

Piston: _____ Standard / Drilled

Spring: _____

Limiters: Inside- _____ Outside- _____

Tires

Front: _____ Compound _____ Foam _____
Rear: _____ Compound _____ Foam _____

Body _____
Spoiler yes no Size _____

Engine: _____

Fuel Type: _____ Nitro%: _____

Clutch : Stock Other _____
 Sprung Unsprung Leading Trailing

Carburetor Type: Slide valve / Rotary

Carb Restrictor: .170 .180 .190 None

Glow Plug Type: _____

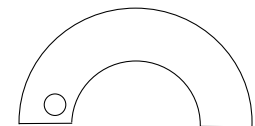
Muffler Type: _____

Engine Temp: _____

Manifold: _____

Head Clearance: _____

Spur/Clutch Bell: _____ / _____



Shade where clutch was cut or lightened.

Notes:

